

PROD.Nr.:

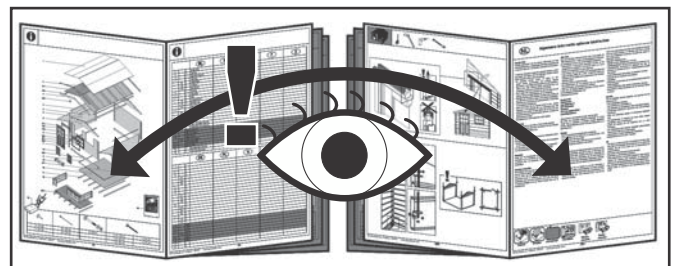


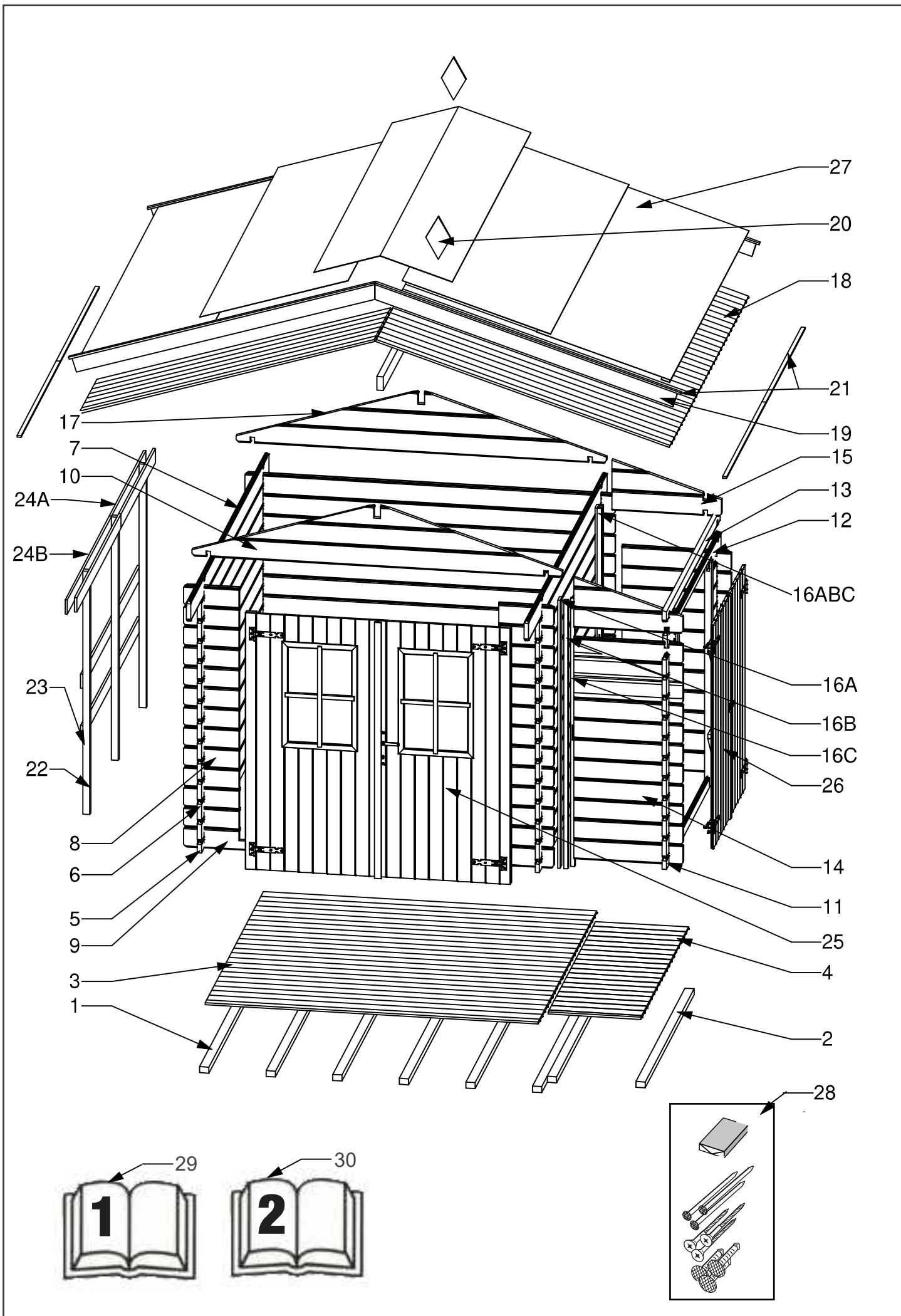
1415
 Gartenpro Kft.
 9444 Fertőszentmiklós
 Soproni úti ipartelep
 HUNGARY
 16
 1415-CPR-43-(C-80/2015)
 ETA-15/0873
 ETAG 007

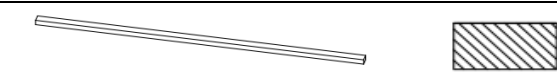
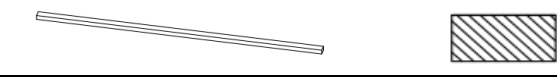



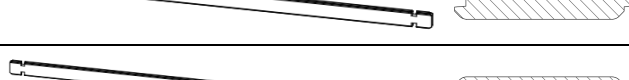

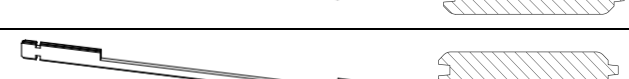

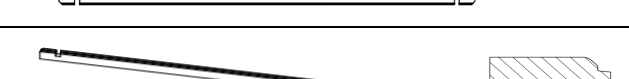

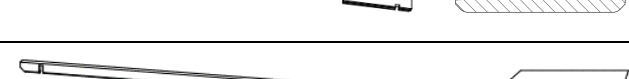



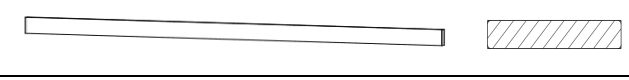
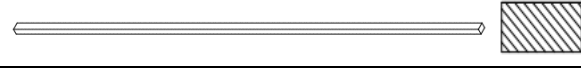

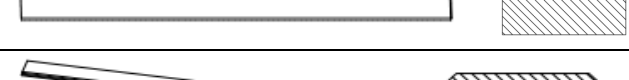
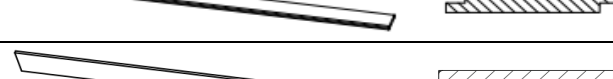


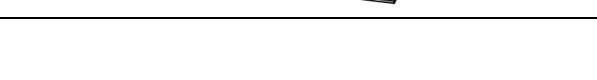
V 2222 28 F1R1B0
 Art.Nr. G3522822281
 Ean.Nr. 5999553064766


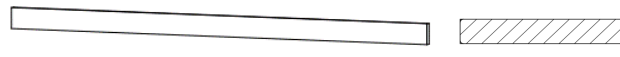


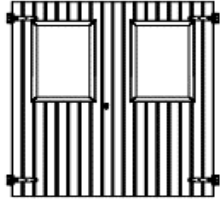
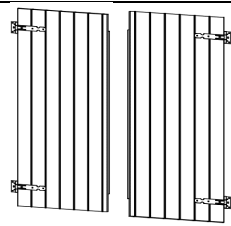






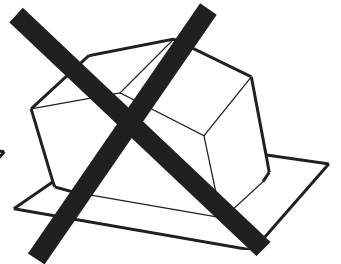
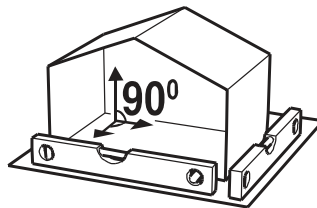
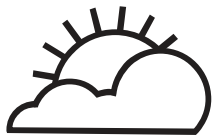
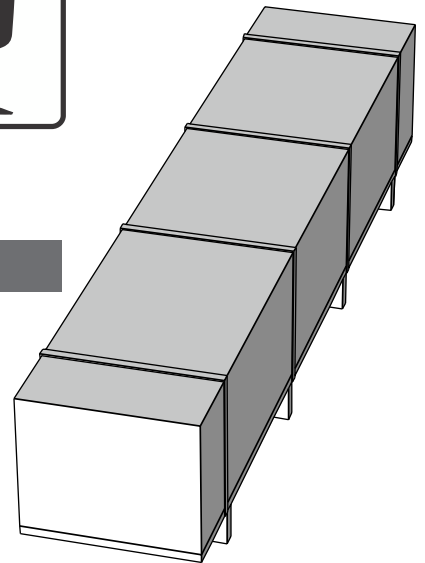
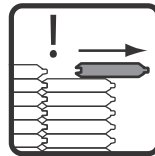
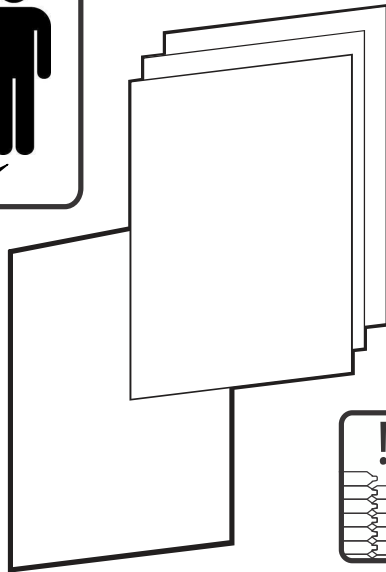
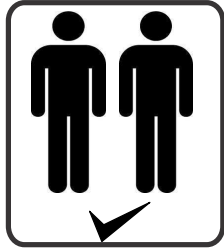
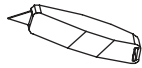
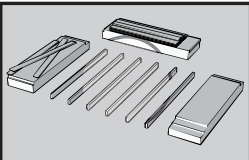
Hout voor Outdoor Life Products blokhutten en tuinhuizen is vooral afkomstig uit gecertificeerde en goed beheerde bossen.
 Wood used for our Outdoor Life Products cabins and garden houses is mostly sourced from certified and well-managed forests.
 Das Holz für Outdoor Life Products Blockbohlenhäuser und Gartenhäuser wird größtenteils aus zertifizierten Wäldern bezogen.
 Les bois pour chalets et maisons de jardin de Outdoor Life Products proviennent en grande partie de forêts certifiées et gérées durablement.



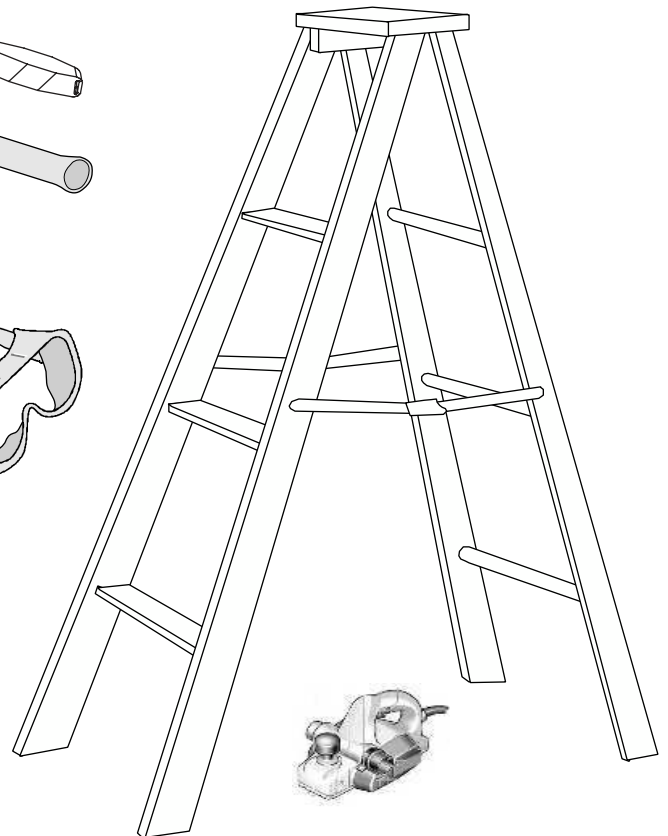
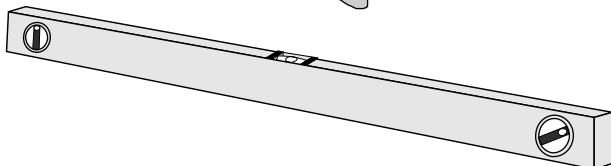
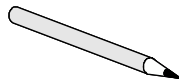
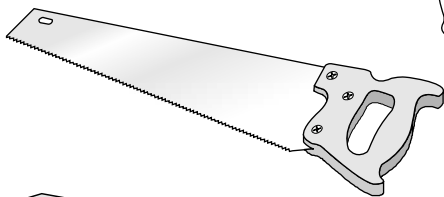
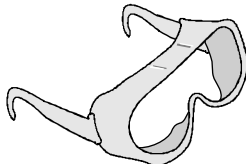
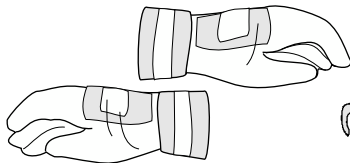
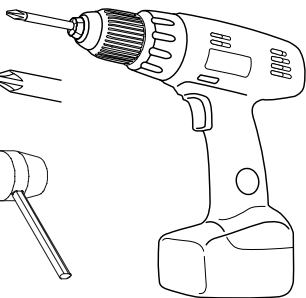
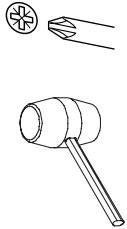
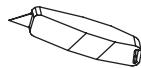
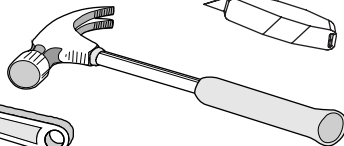
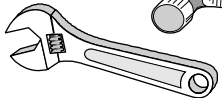


1.	G60643161		40x60x2200	6X
2.	G60643116		40x60x1800	2X
3.	G2227660		15x99x2142	24X
4.	G2227661		15x99x597	20X
5.	G2227476		28X76X2380	2X
6.	G2220623		28x142x2380	37X
7.	G2220647		28x143x2885	2X
8.	G2220677		28x143x354	44X
9.	G2227662		28X143X2380	1X
10.	G2230145		28X413X2380	2X
11.	G2227648		28x76x1980	1X
12.	G2227664		28x143x1980	1X
13.	G2227666		28x89x1980	1X
14.	G2220732		28x143x702	22X
15.	G2227665		28x337x702	2X
16A	G2222954		15x70x1800	2X
16B	G2227248		20,6x27,6x1742	2X
16C	G2227248M		20,6x27,6x1742	2X
17.	G2230305		43X90X2885	1X
18.	G2222275		15x99x1962	66X
19.	G2222381		15X95X2040	4X
20.	G591124		19x145x250	2X
21.	G60147540		12x26	14m

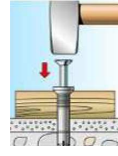
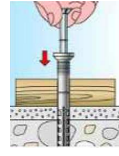
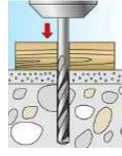
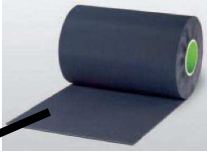
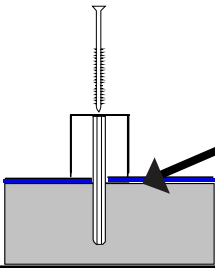
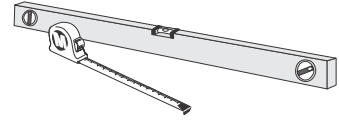
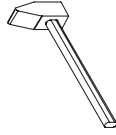
22.	G2221346-1630		34x46x1630	3X
23.	G2222382		15x95x2100	2X
24A.	G2223513		15x95x1260	2X
24B.	G2230100		15x95x1628(1625)	2X
25.	G534285		Ajtó-D Lambéria 1720x1560	1X
26.	G59530706		Ajtó Szekrényajtó 28	1X
27.	G2224749		1,0x15m	1X
28.	G7061197		2525	1X
29.	G6099908	 Building instr.	Útm. Építési	1X
30.	G6065190	 General Conditions	Útm. Általános	1X




M10




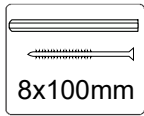
1



POS

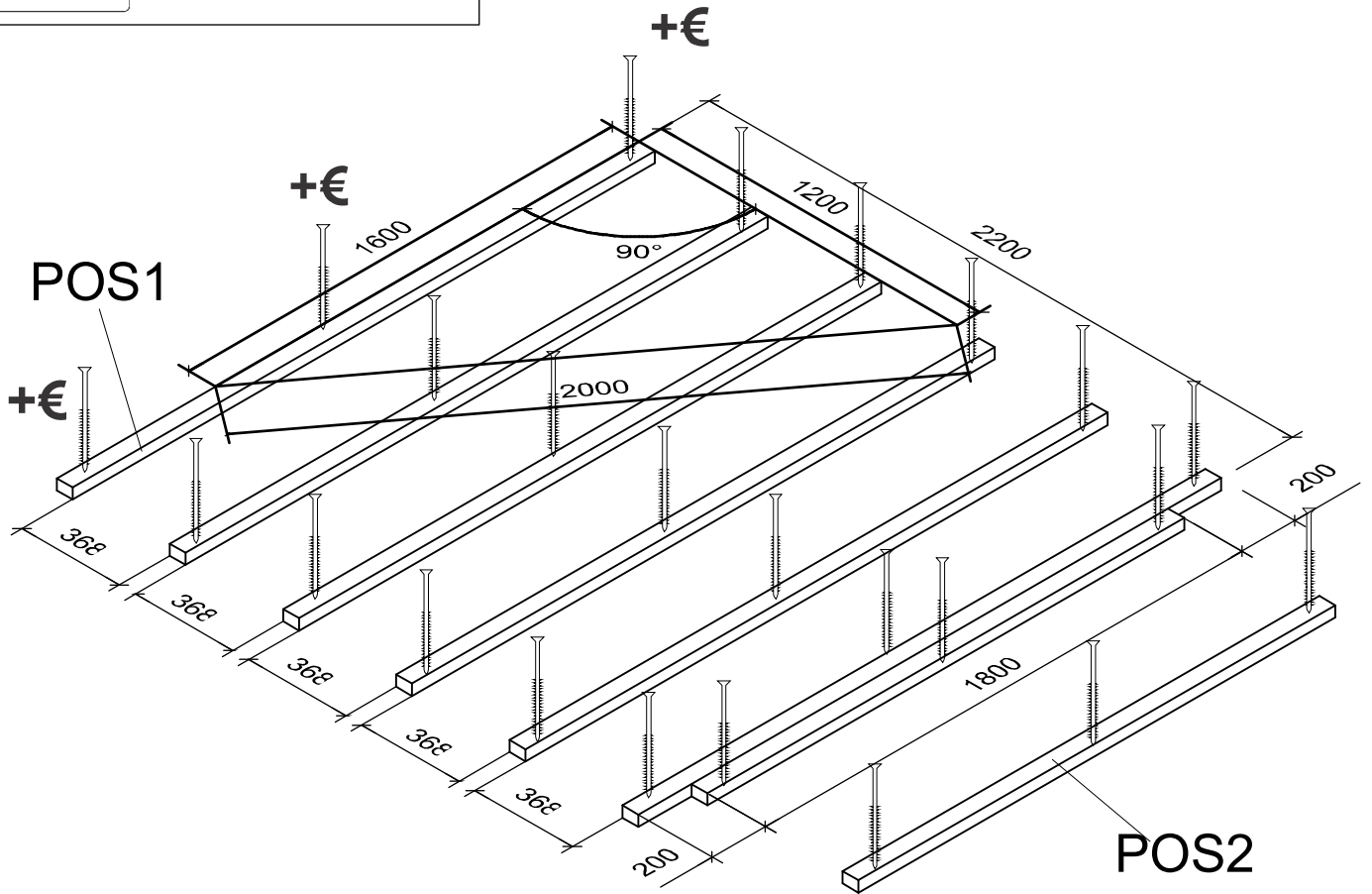
1  40x60x2000 6X

2.  40x60x1800 2X

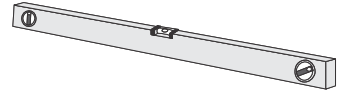
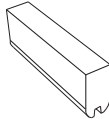
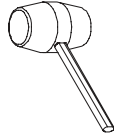
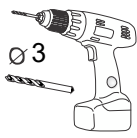


+€


min21X





2

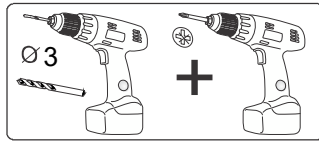



POS

5.  28x76x2380 2X

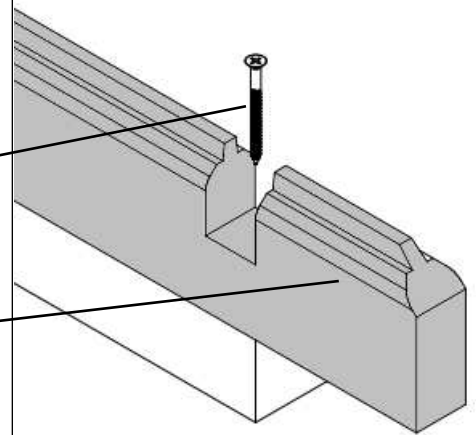
11.  28x76x1980 2X

 9X
4x50mm

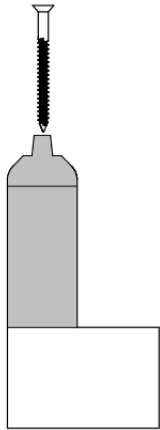


 4x50mm

A



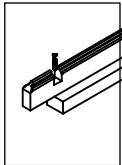
A



A

POS5

A

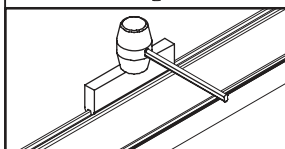
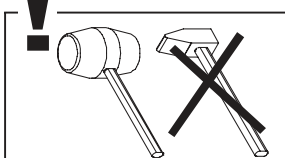
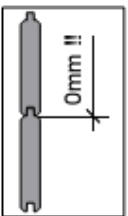
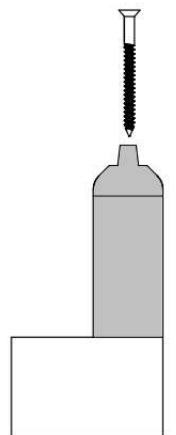


B

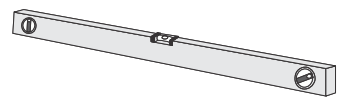
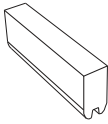
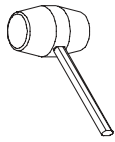
B

POS11


B




3



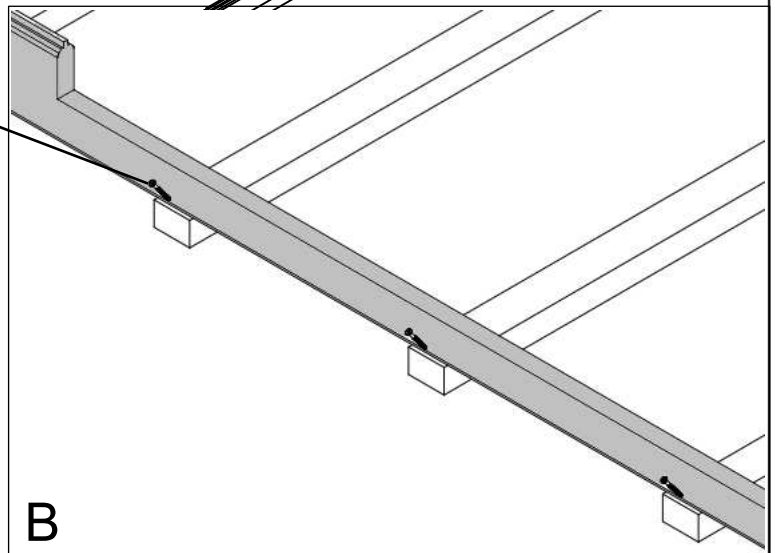
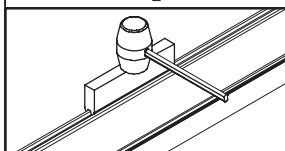
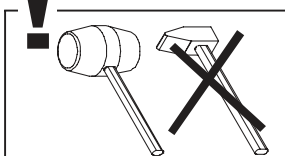
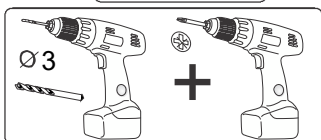
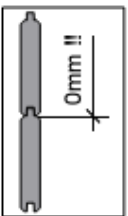
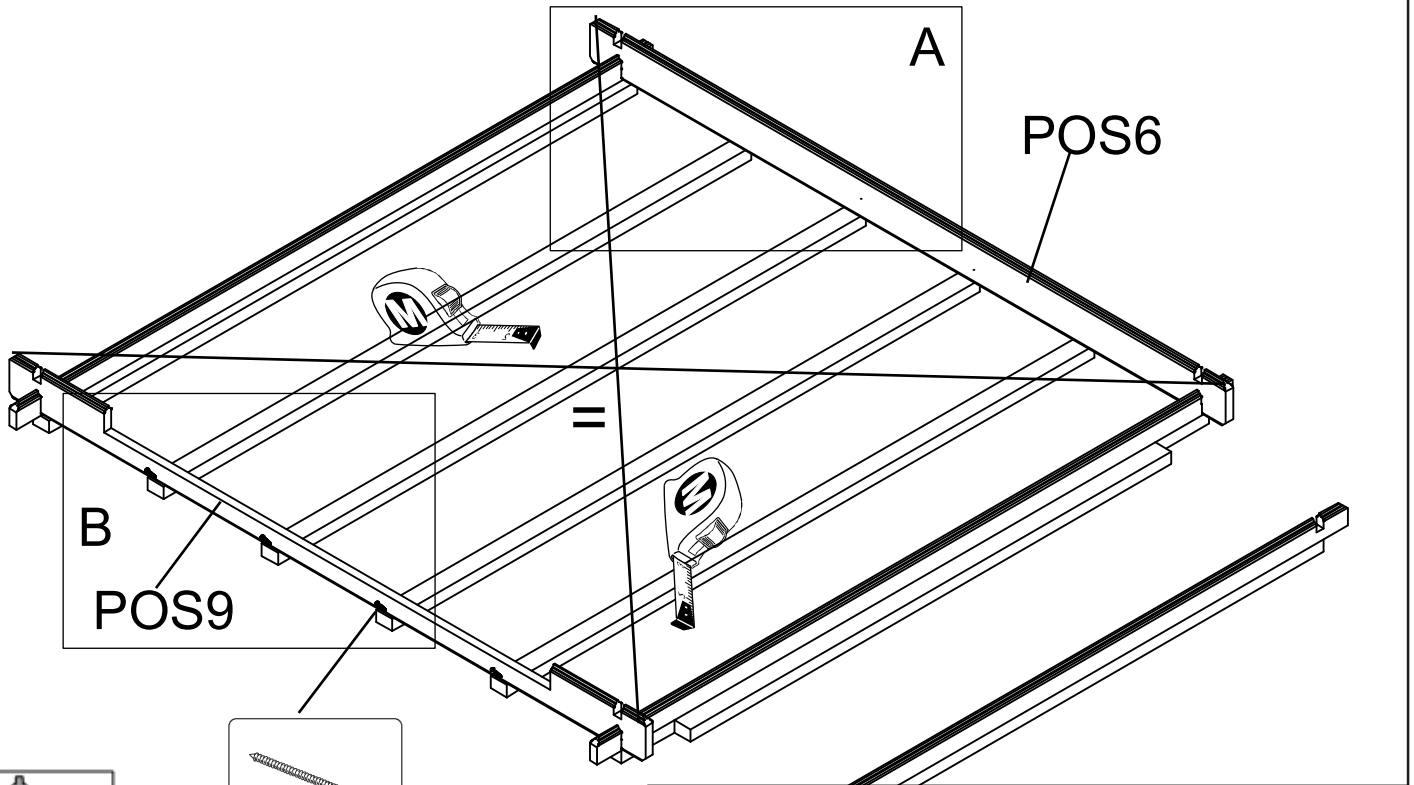
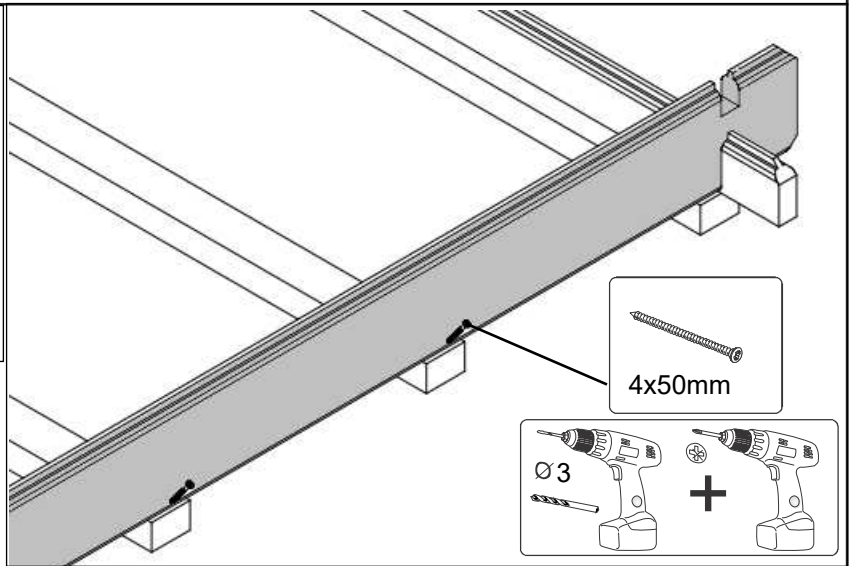
POS

6.  28x135x2380 1X

9.  28x135x2380 1X

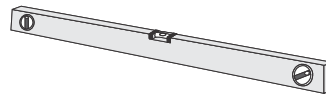
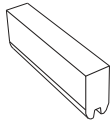
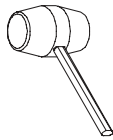


X8




B

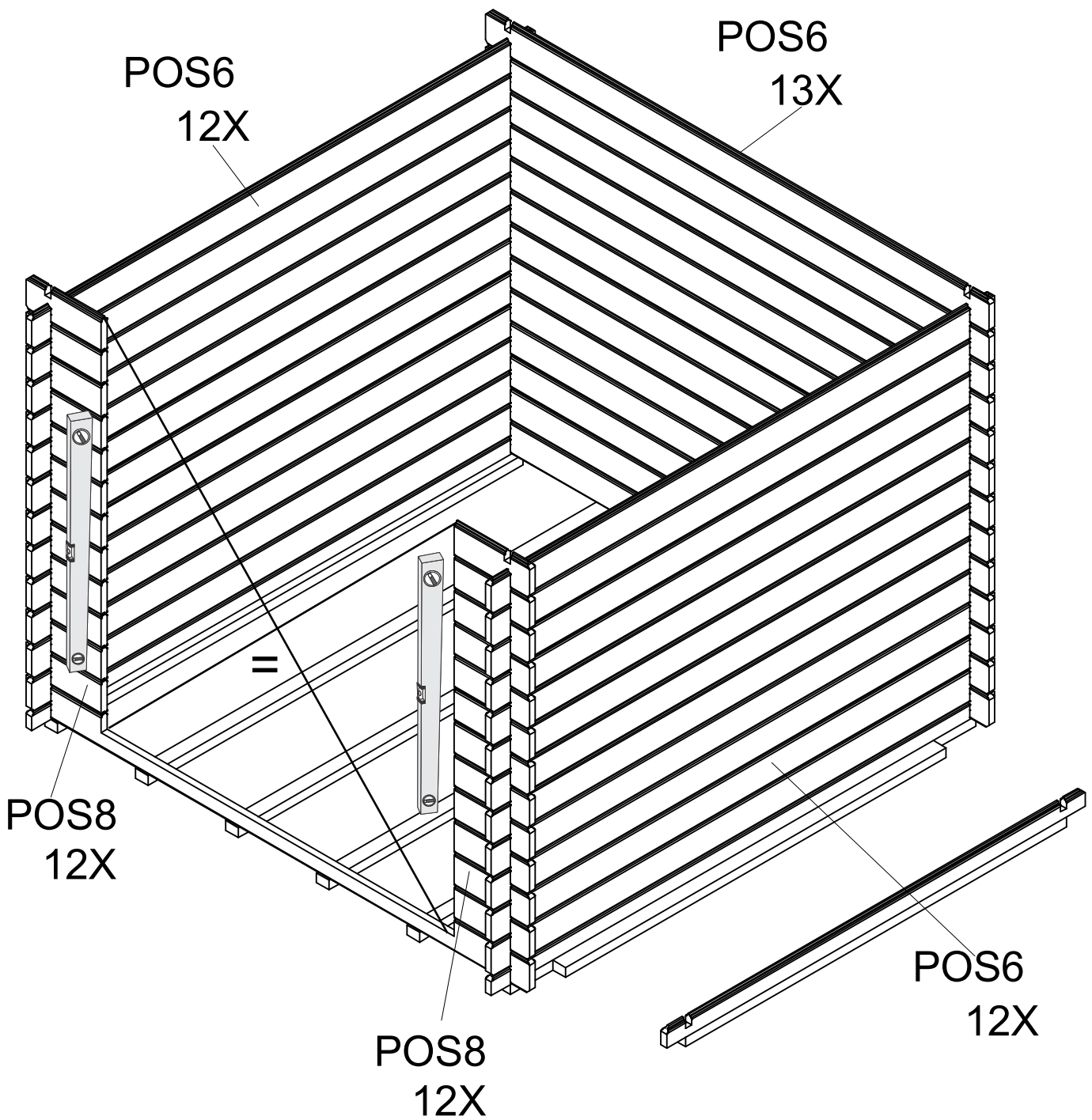
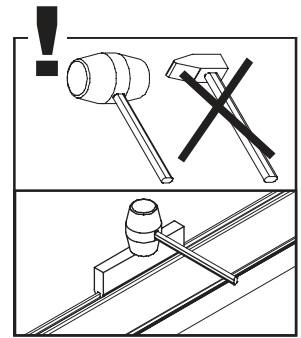
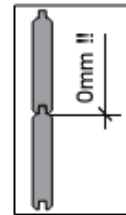
4



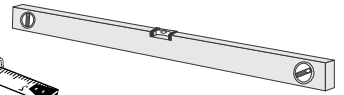
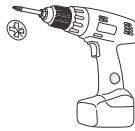
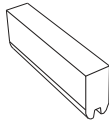
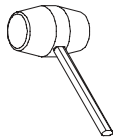
POS

6.  28x135x2380 36X

8.  28x135x354 24X



5



POS



28x135x2885 2X

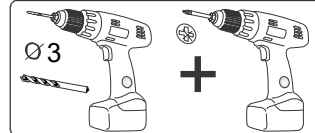


28x413x2380 2X



X4

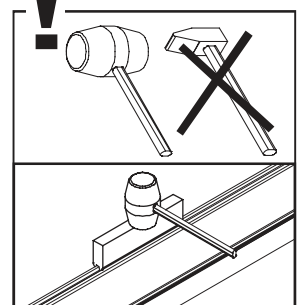
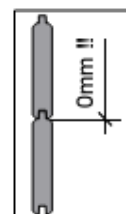
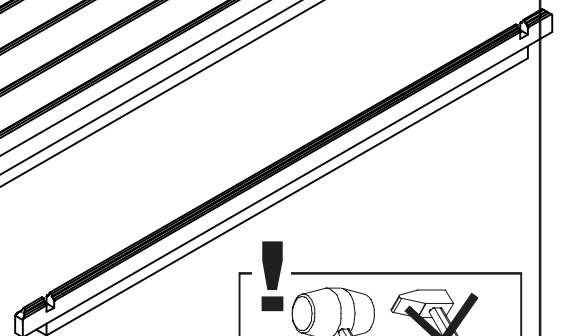
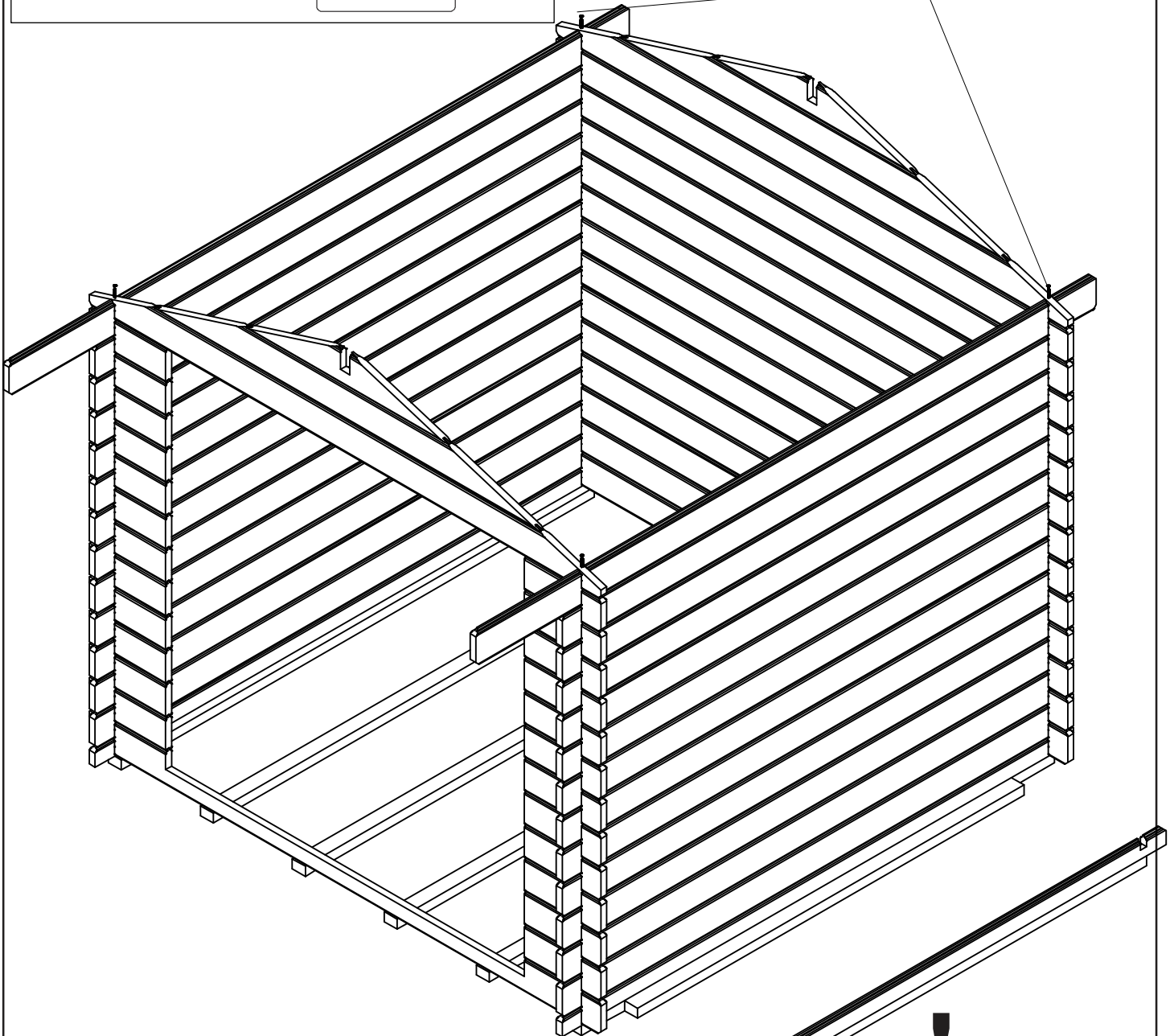
4x50mm



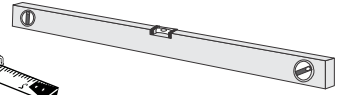
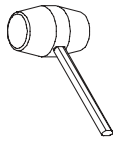
+



4x50mm



6



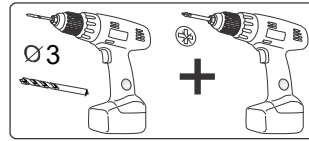
POS

17



43X90X2285 1X

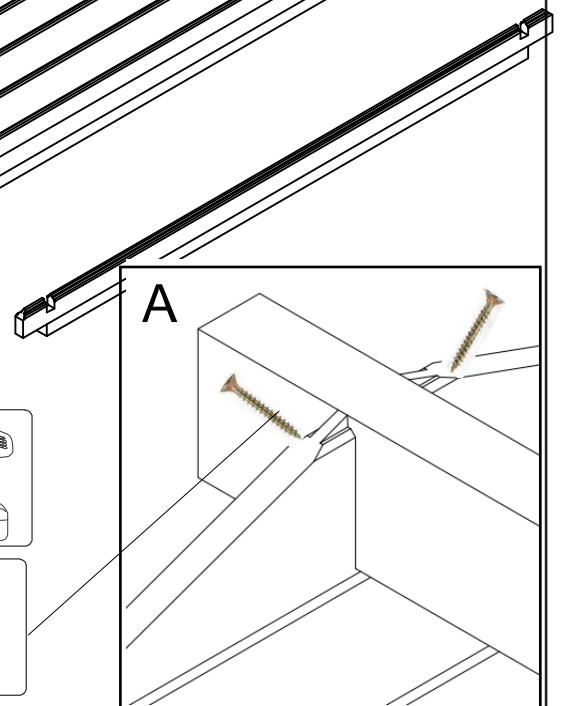
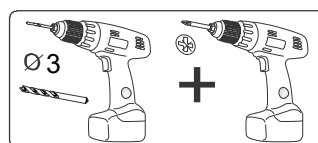
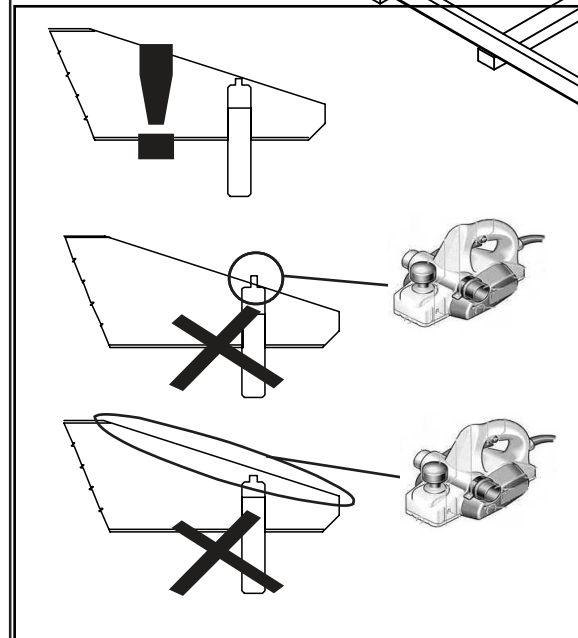
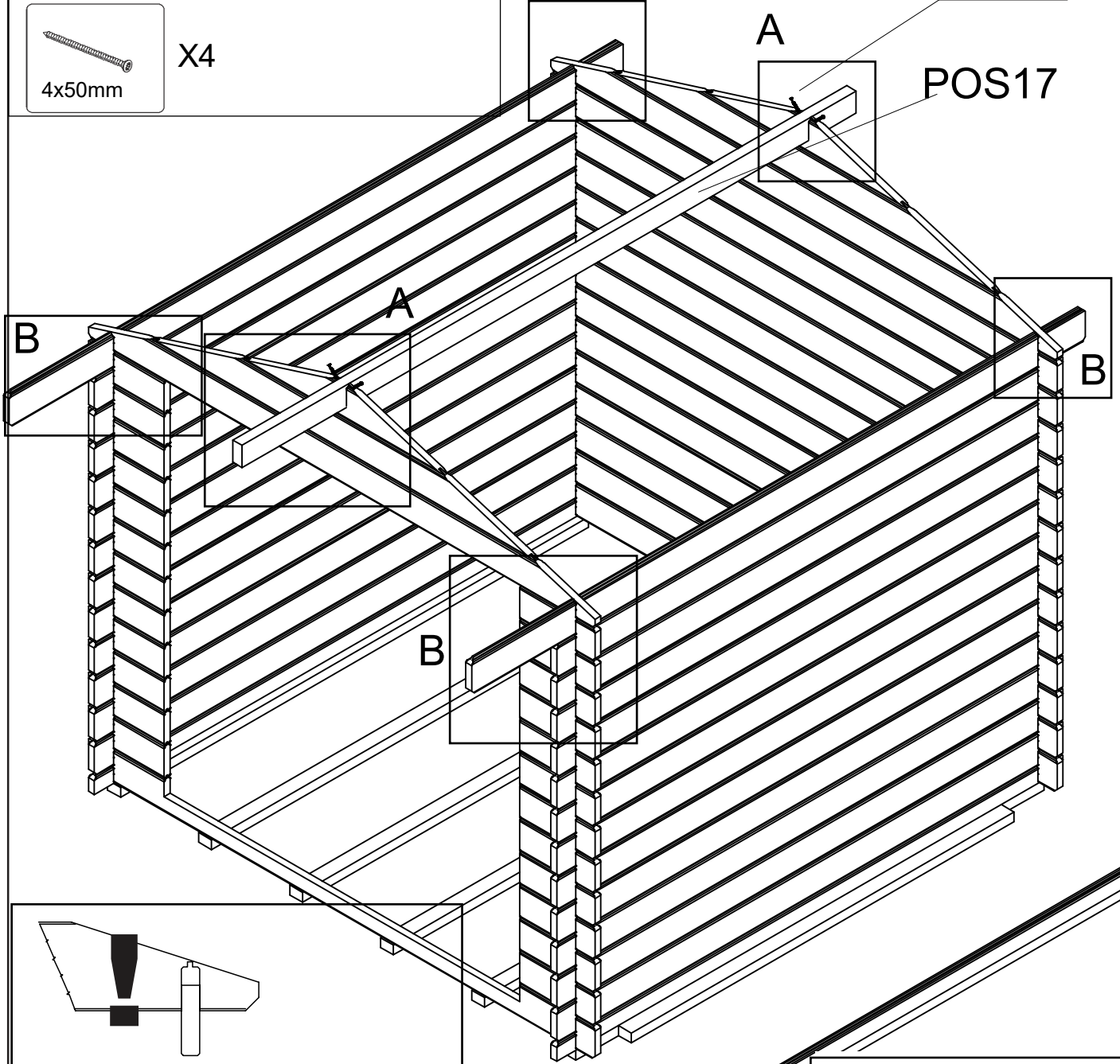
B



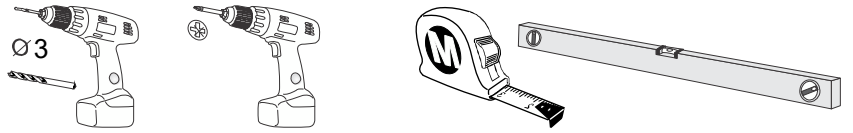
X4

A

POS17



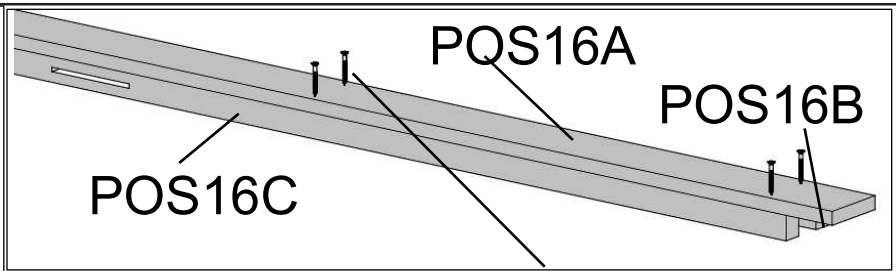
7



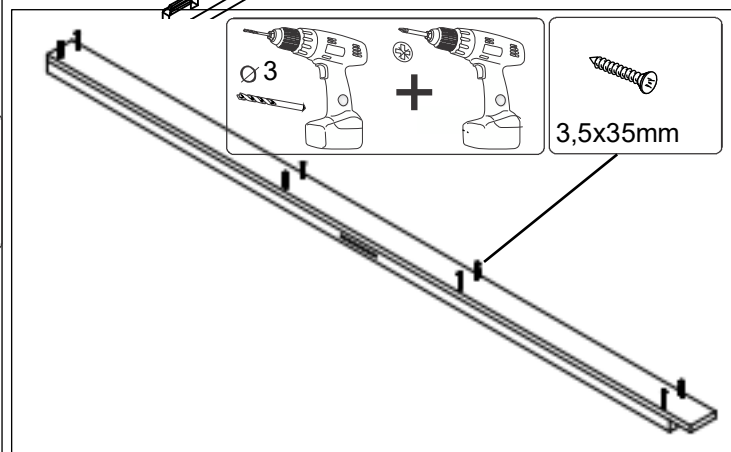
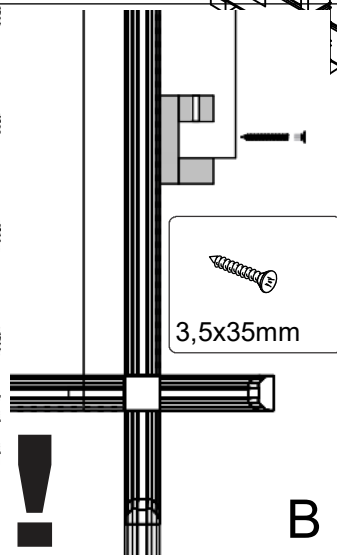
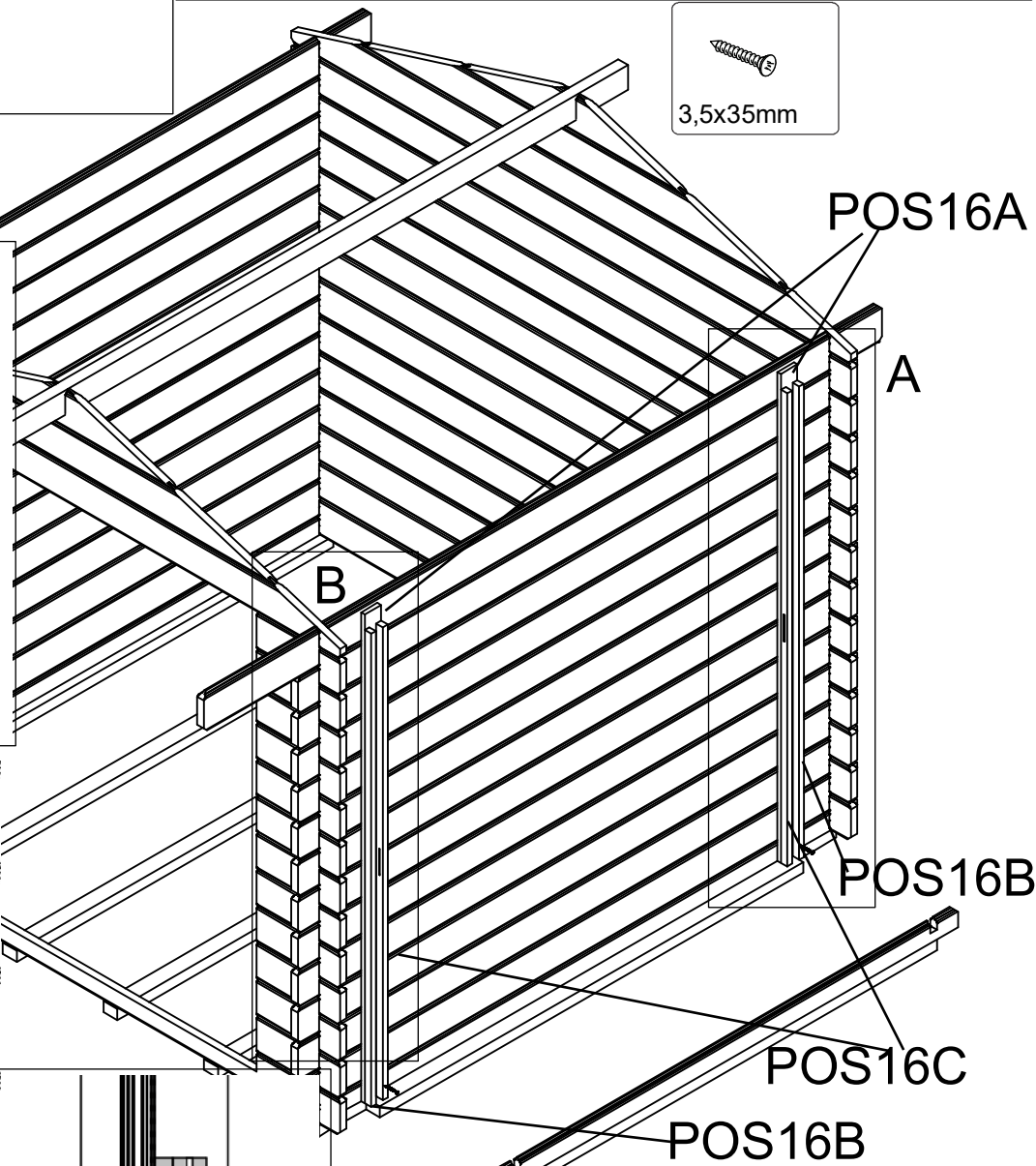
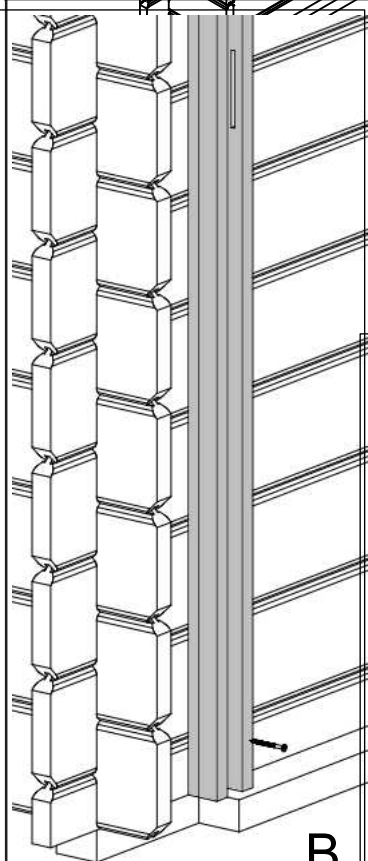
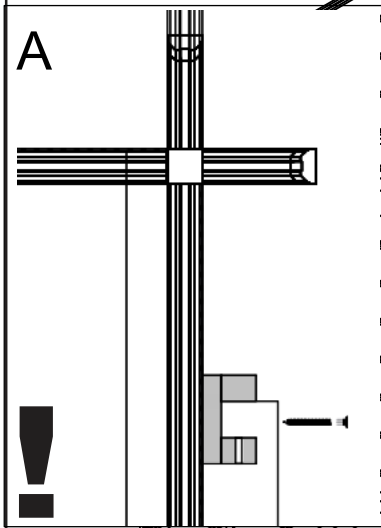
POS

- 16A 15x70x1800 2X
- 16B 20,6x27,6x1742 2X
- 16C 20,6x27,6x1742 2X

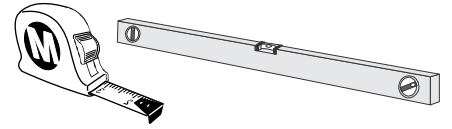
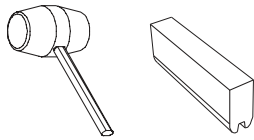
X18
3,5x35mm



3,5x35mm



8

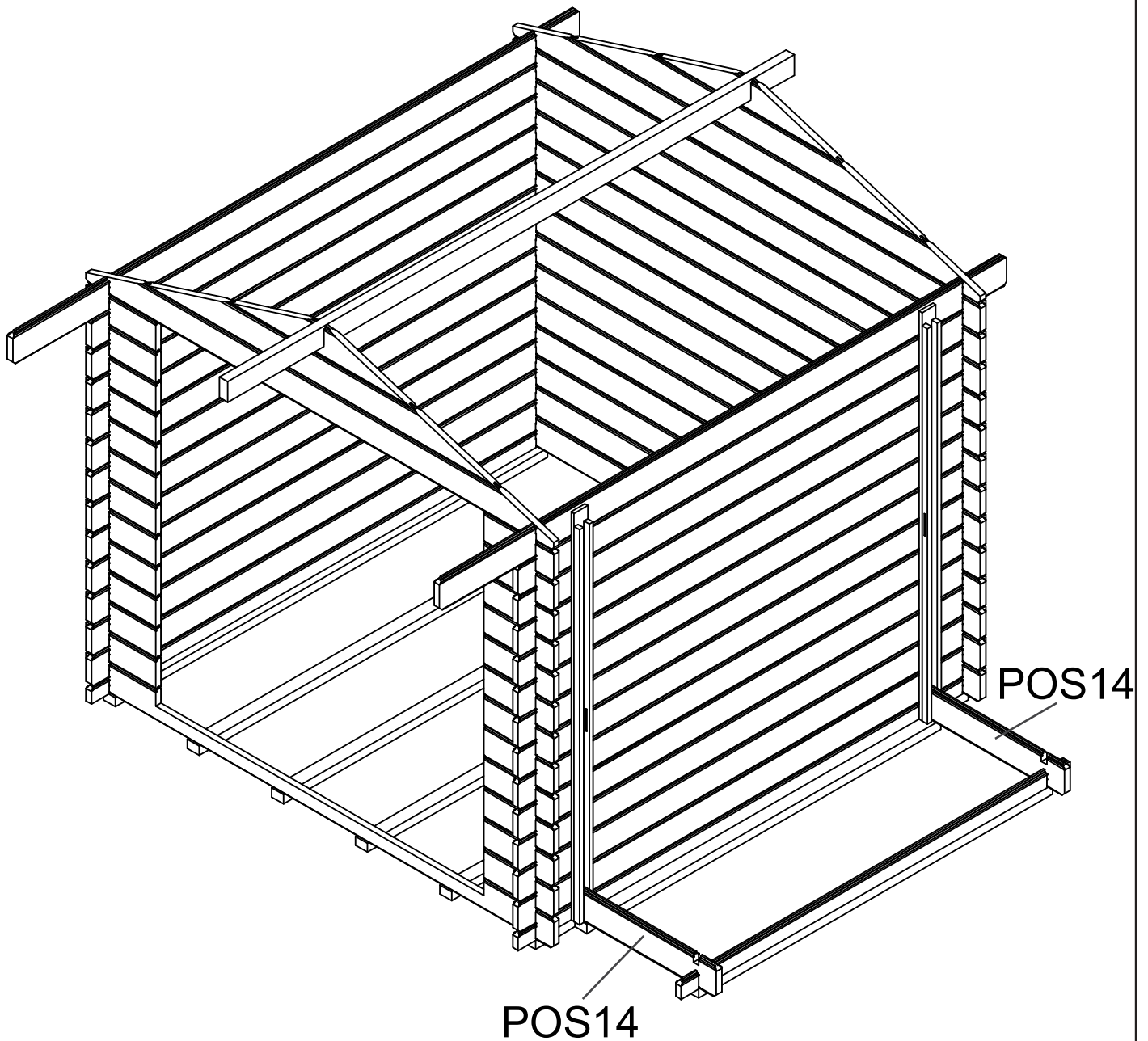
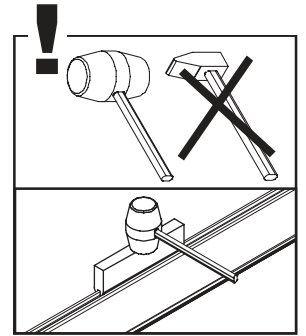
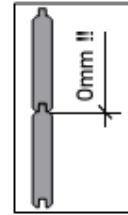


POS

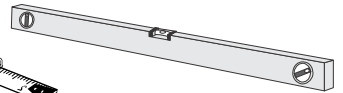
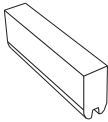
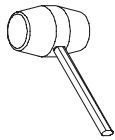
14




28x143x702 2X





9



POS

14  28x143x702 20X

8  28x143x354 20X

12  28x143x1980 1X

13



28x89x1980 1X

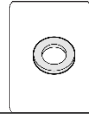
15



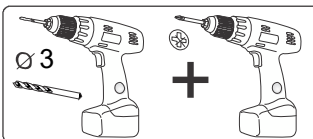
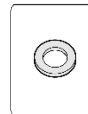
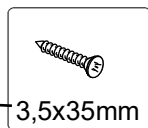
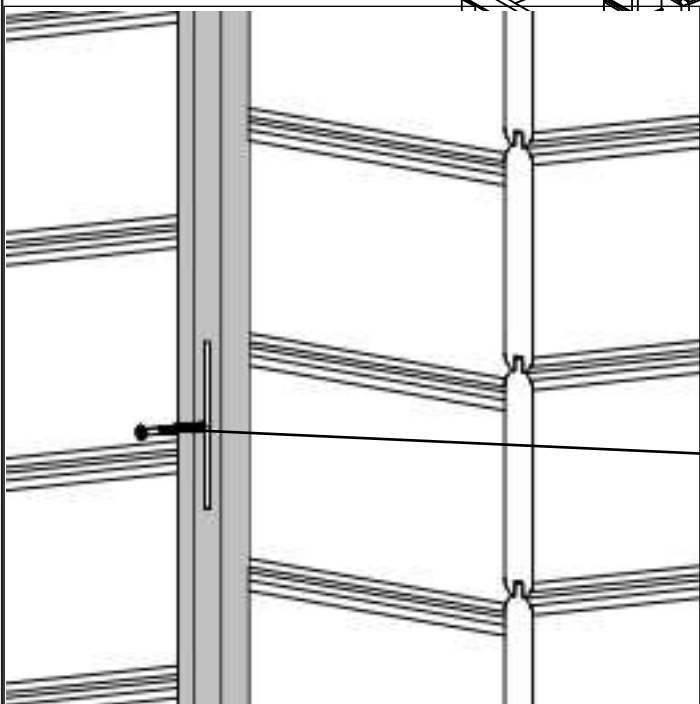
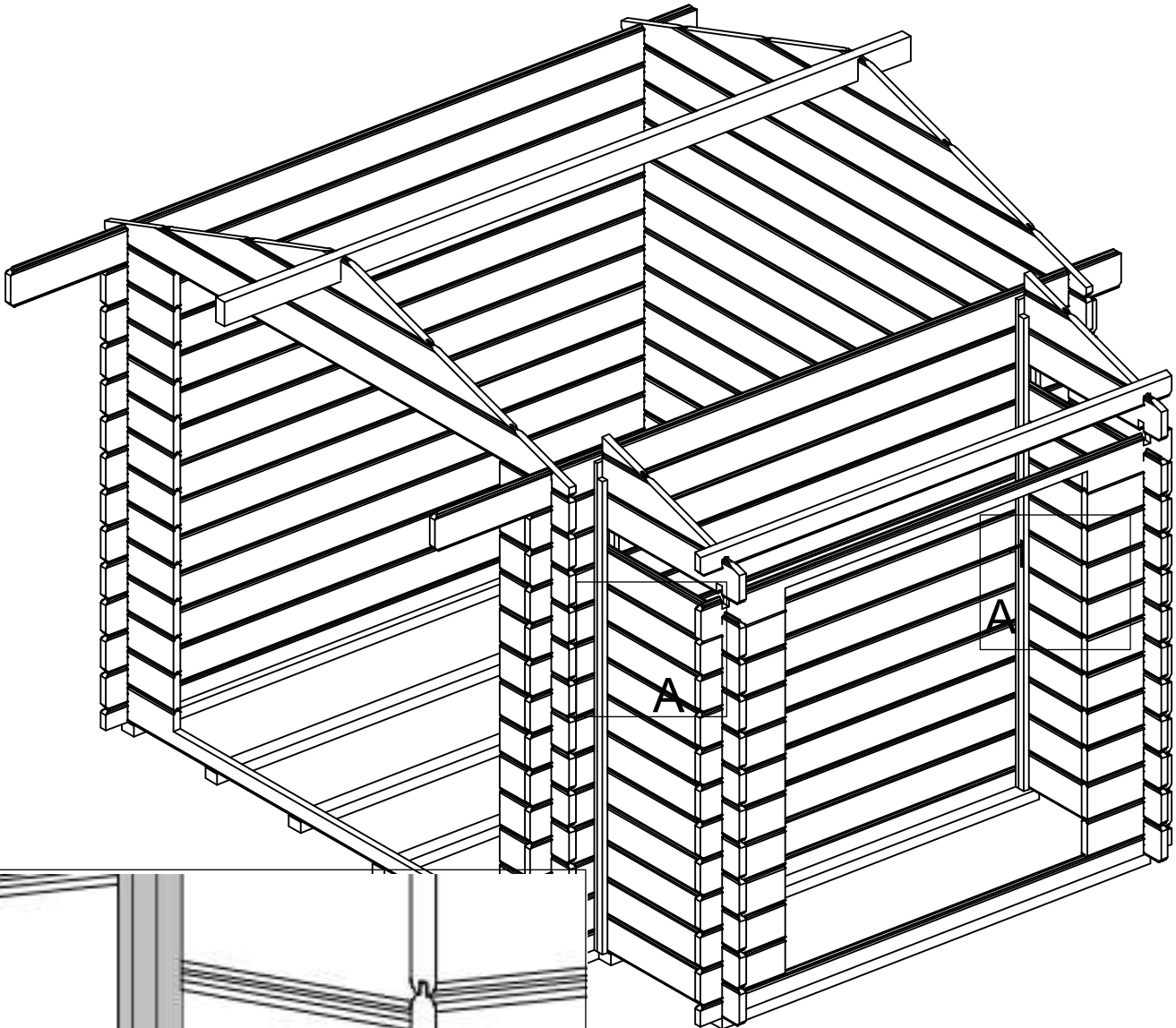
28x337x702 2X



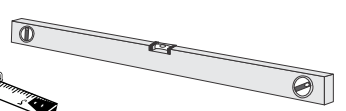
2X



2X

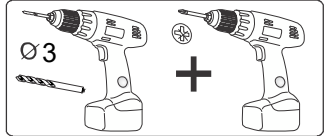
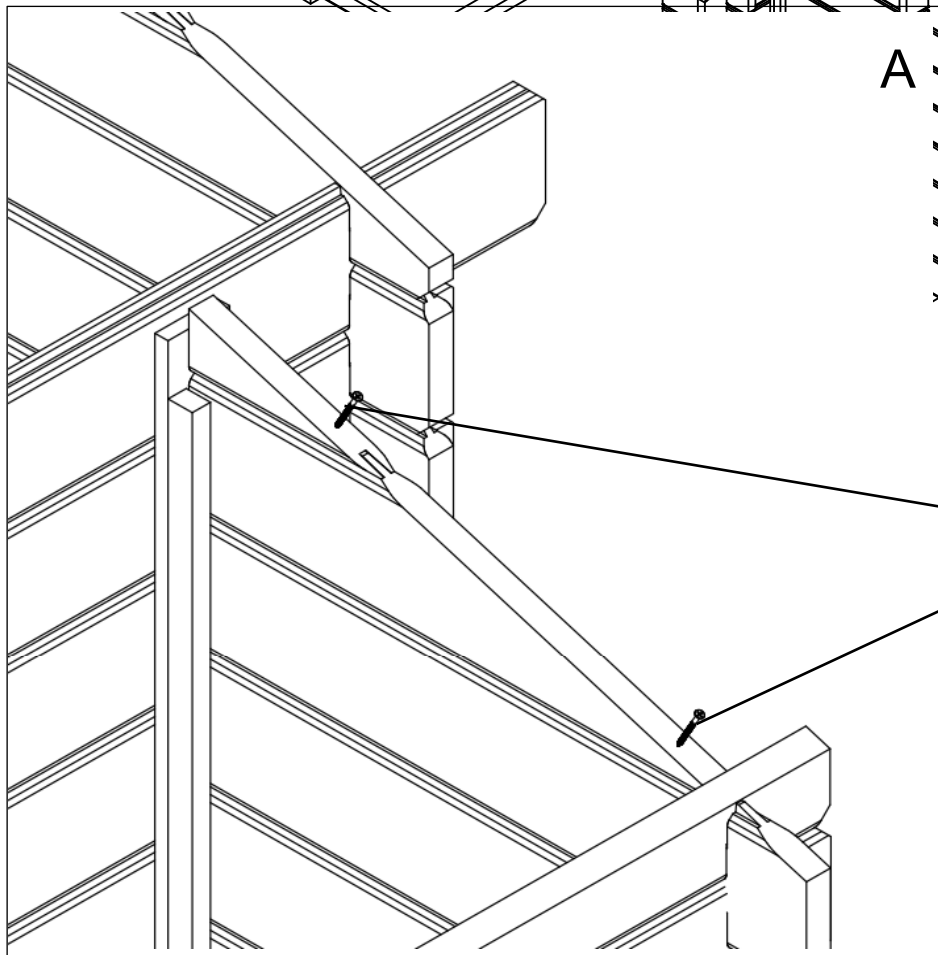
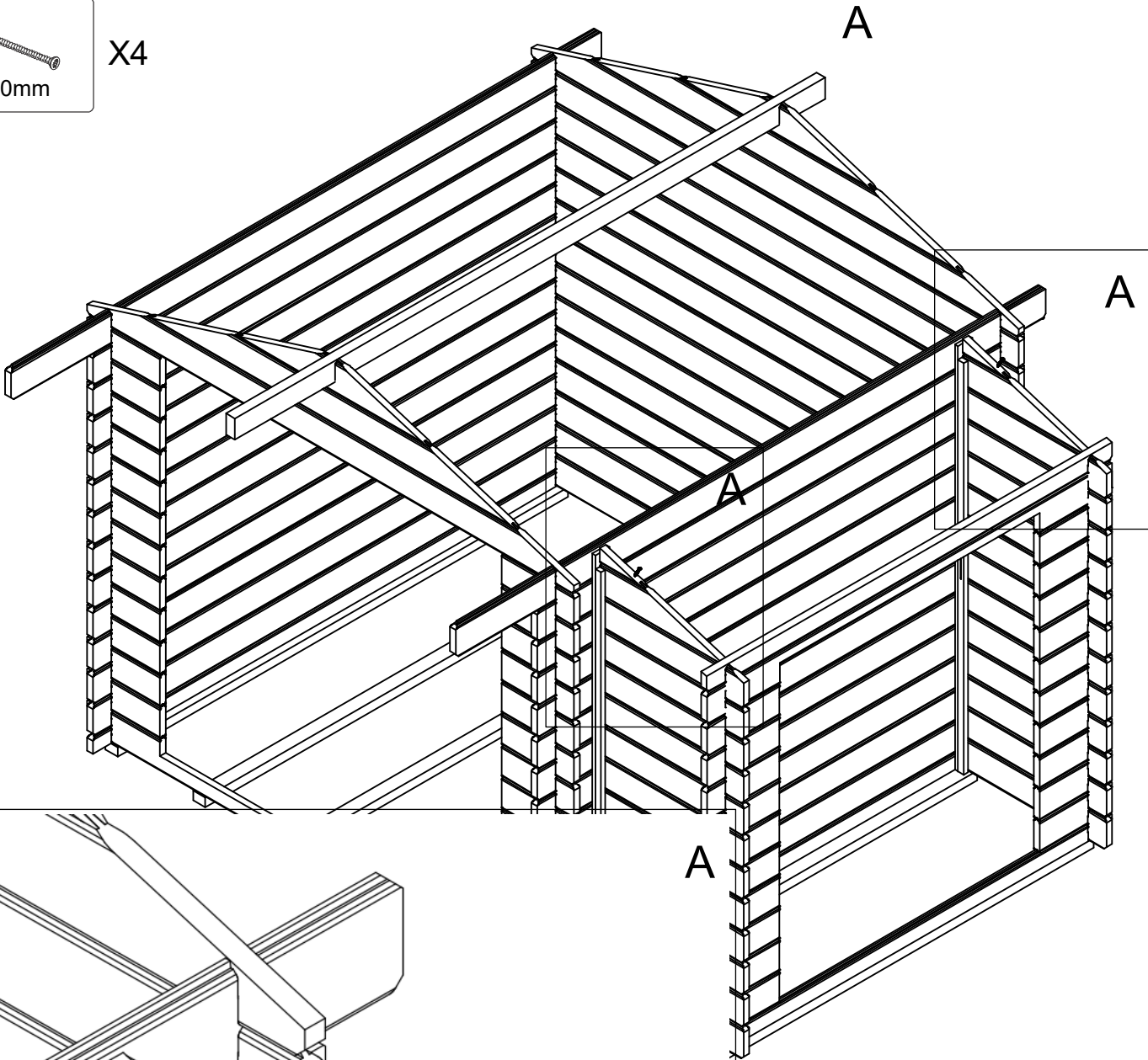


10

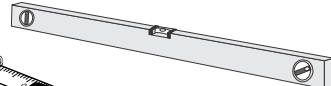
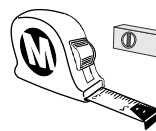


X4

4x50mm

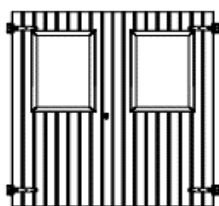


11



POS

25



Ajtó-D Lambéria
1720x1560



52x68x1720 2X



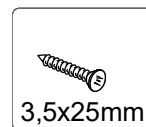
52x68x1500 2X



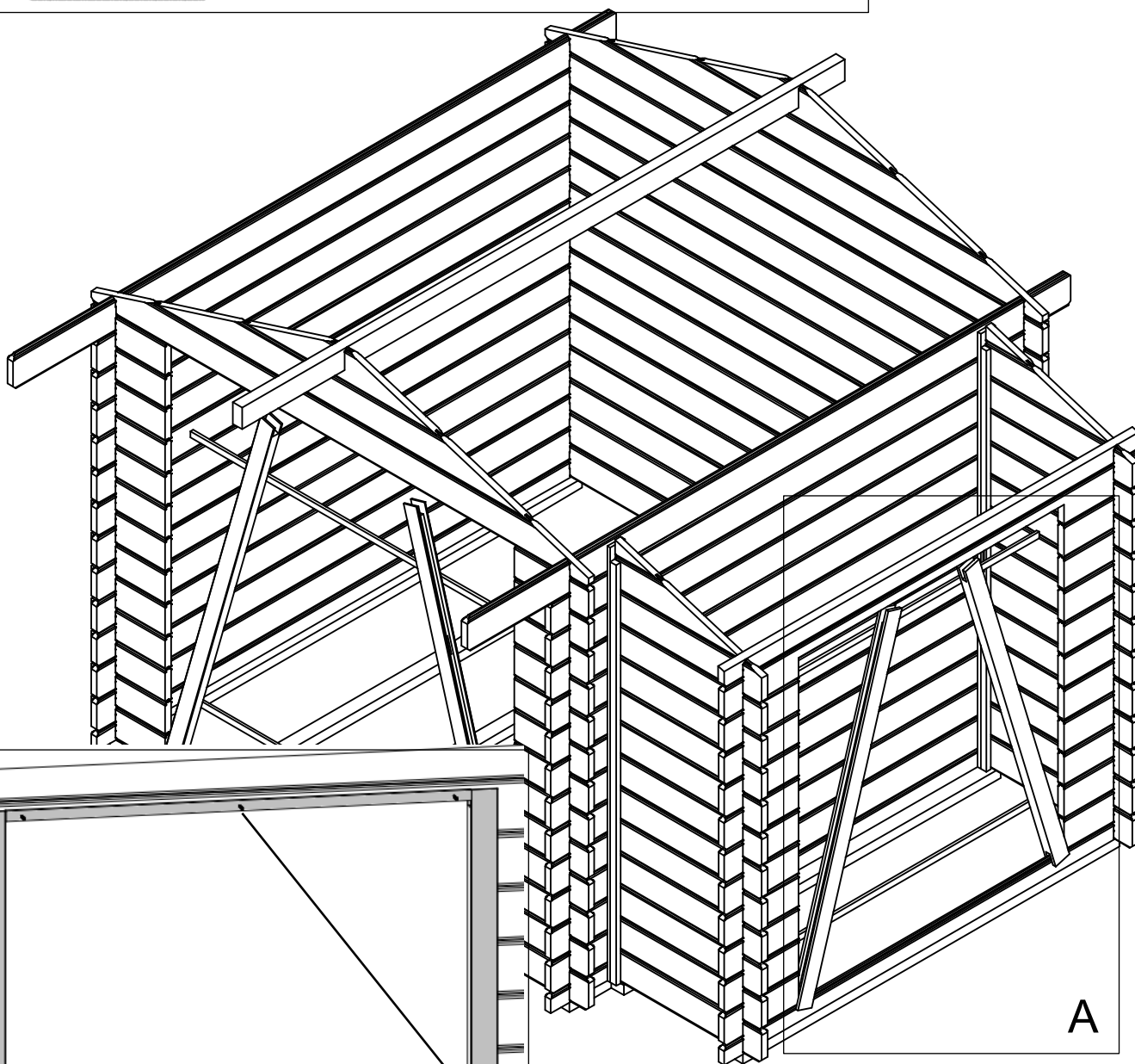
12x26x1570 2X



12x26x1170 2X

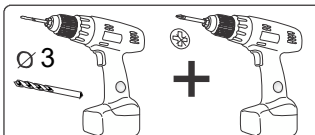
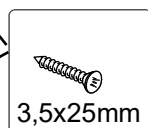


6X

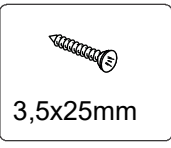
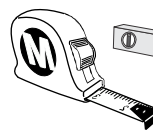
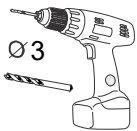


A

A

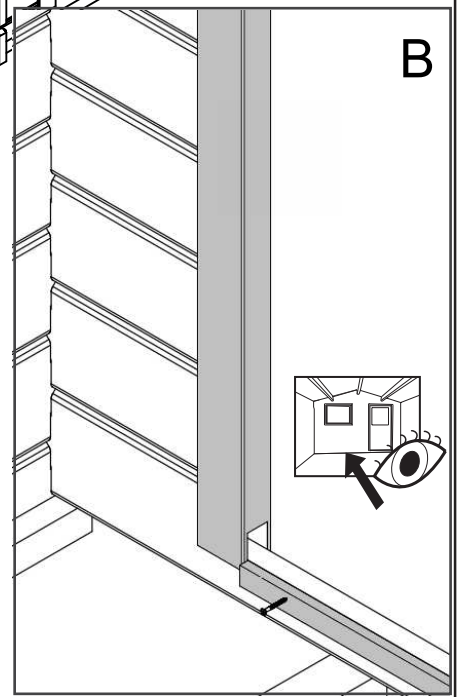
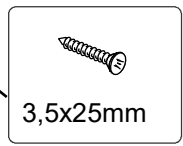
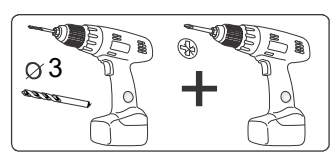
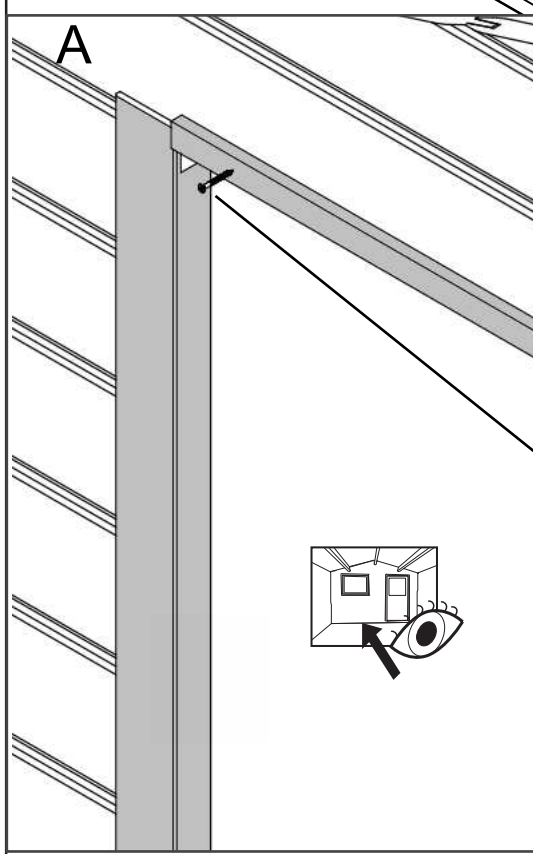
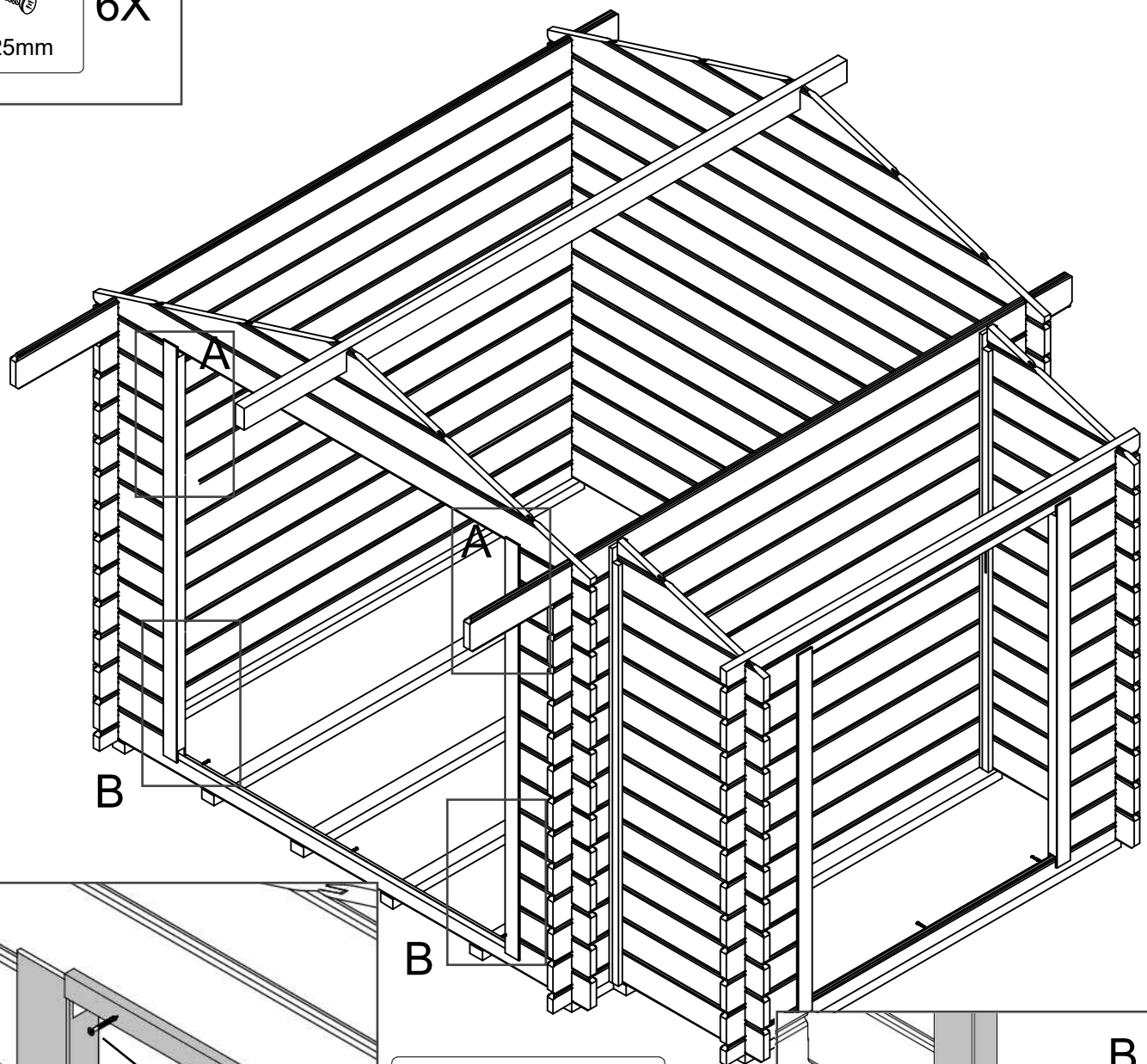


12

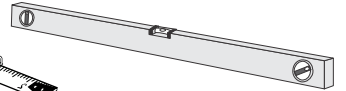


6X

3,5x25mm




13





POS

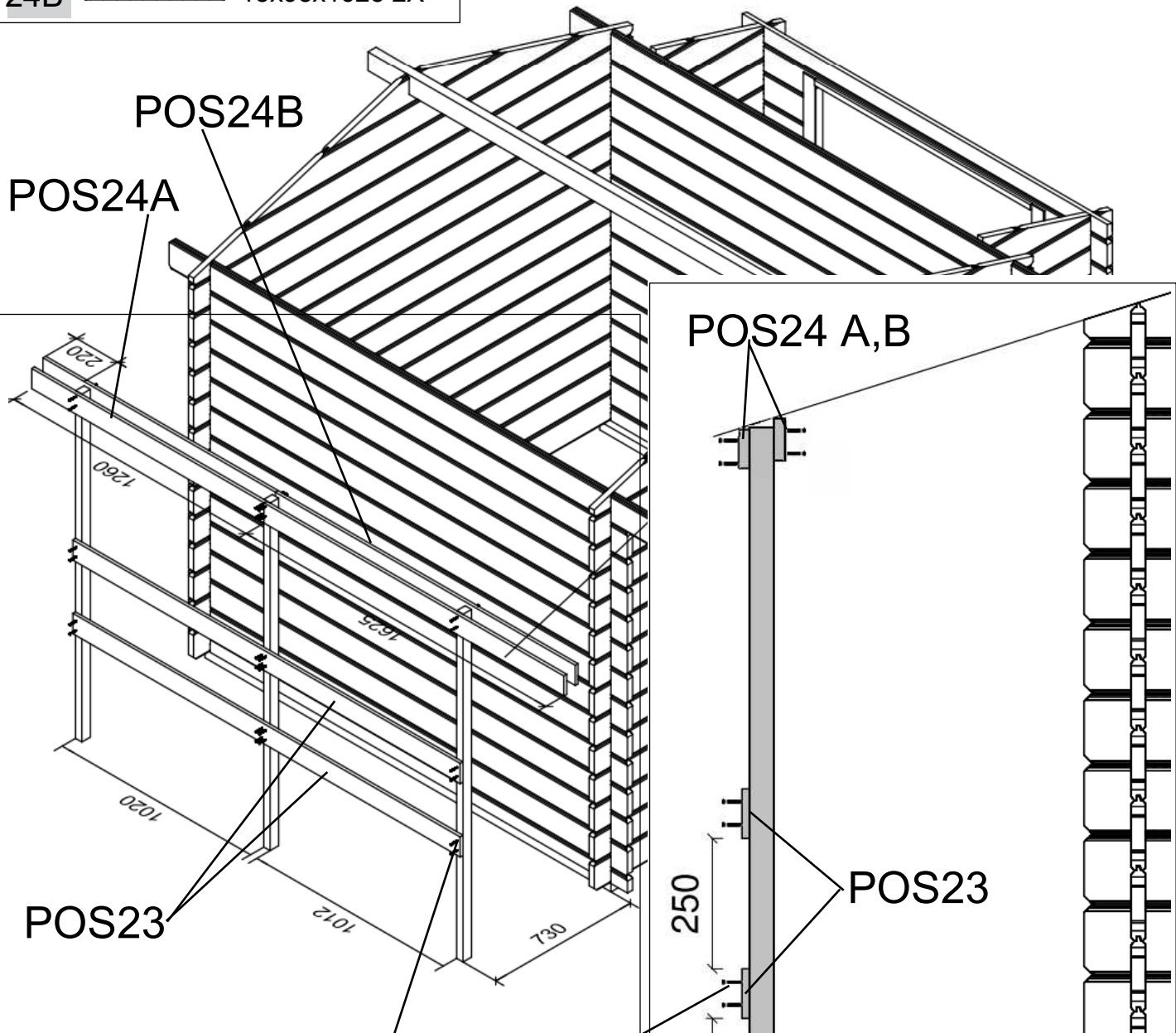
22  34x46x1630 3X

23  15x95x2100 2X

24A  15x95x1260 2X

24B  15x95x1625 2X

 22x
3,5x35mm



POS23

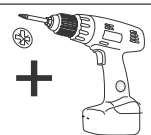
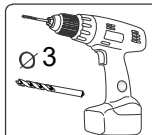
POS24 A,B

POS23

250

500

730

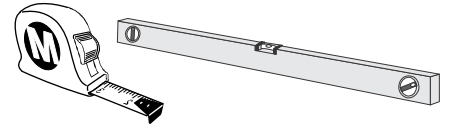
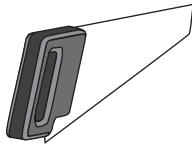


+



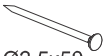
3,5x35mm

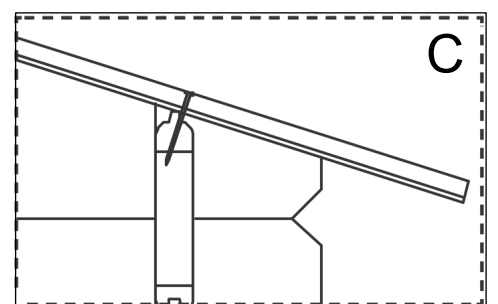
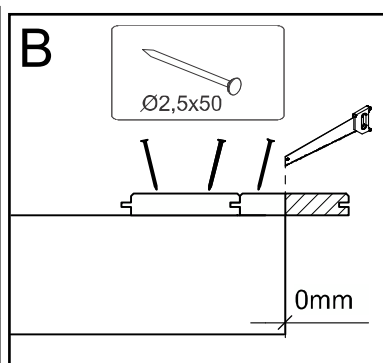
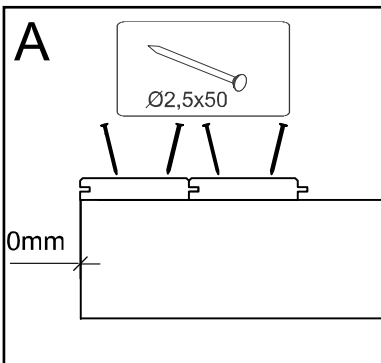
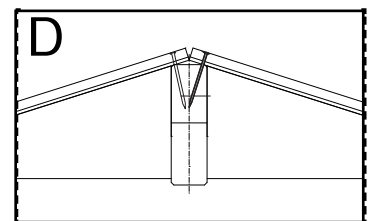
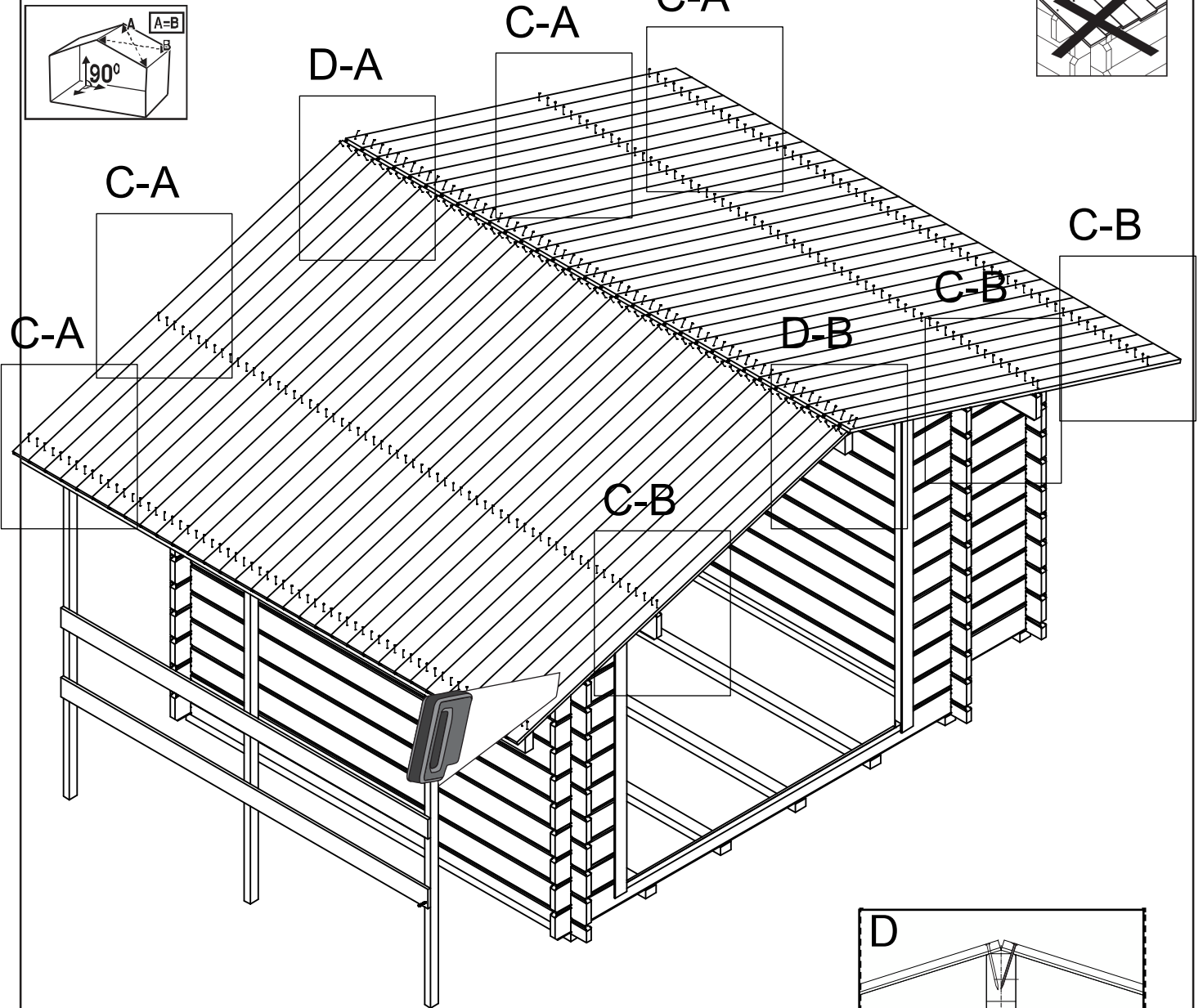
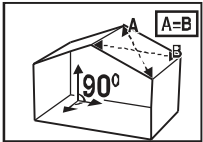
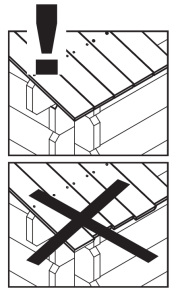
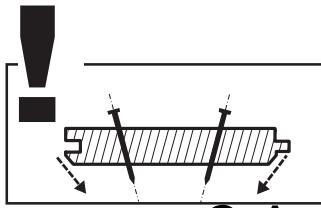
14



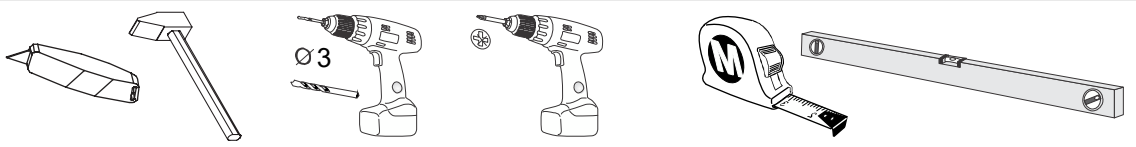
POS

18  15x99x1962 66X

 396X
Ø2,5x50

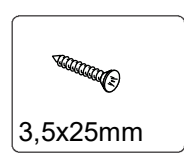


15

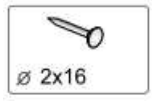


POS

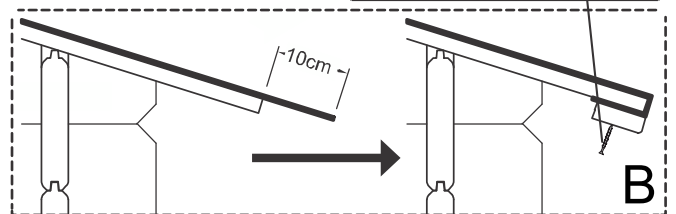
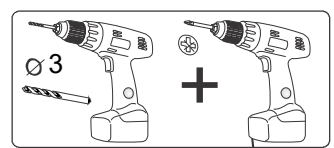
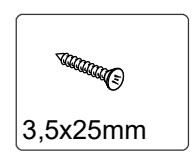
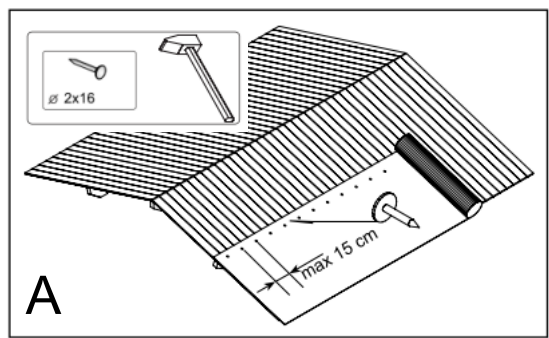
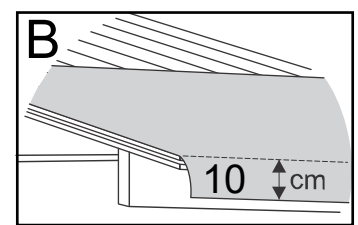
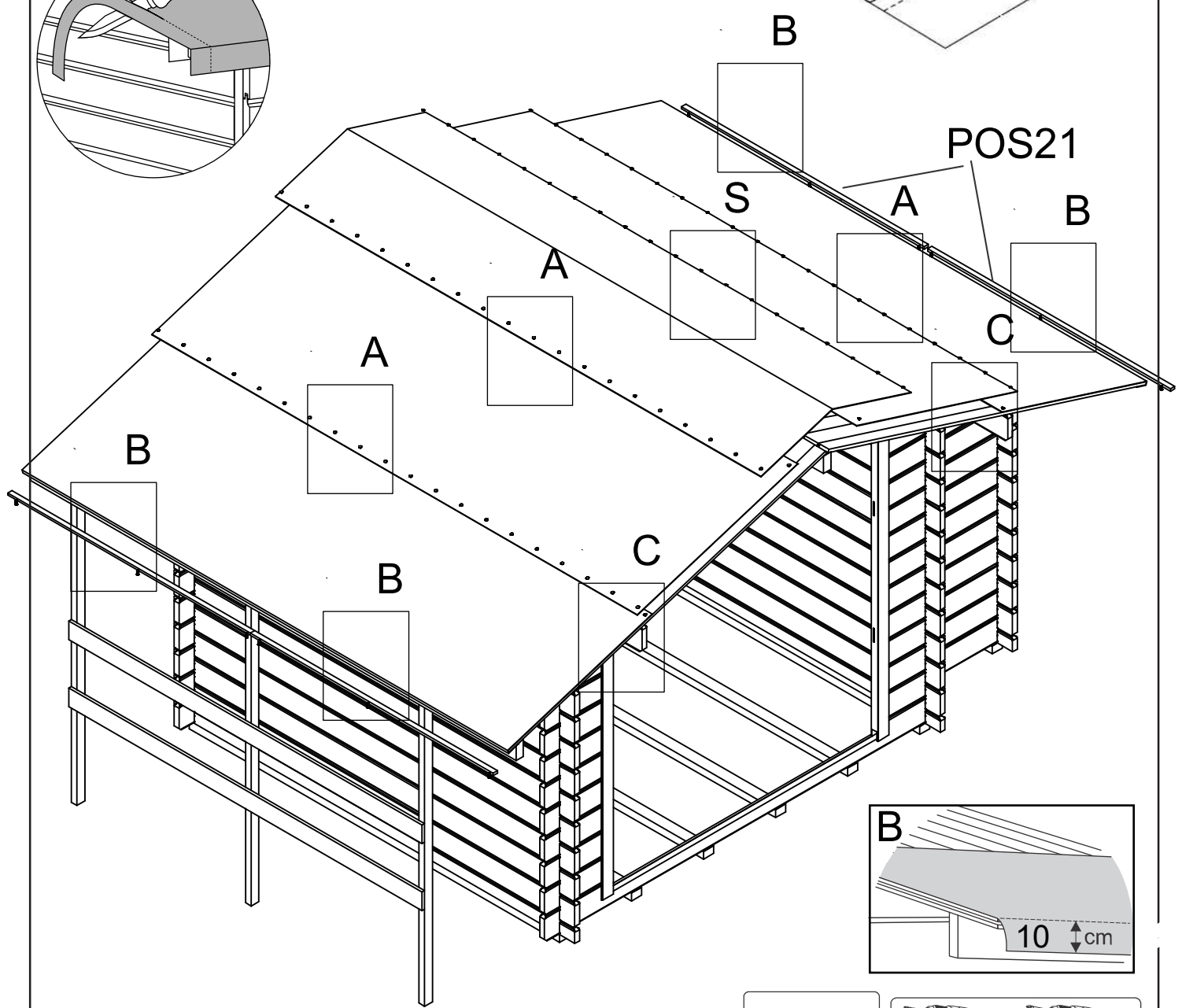
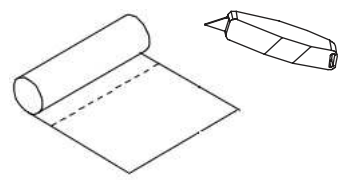
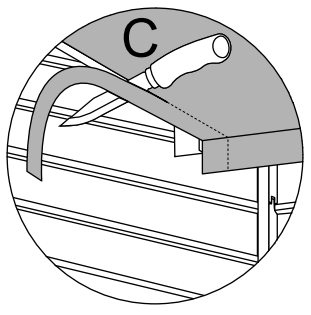
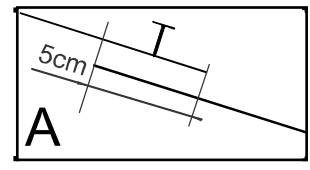
- 21 12x26 5,8m
- 27 1,0x15m 1X



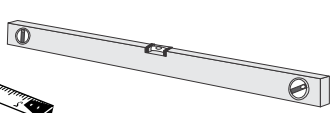
12x



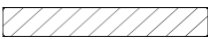
180x



16

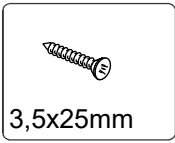


POS

19  15x95x2040 4X

21  12x26 8,2m

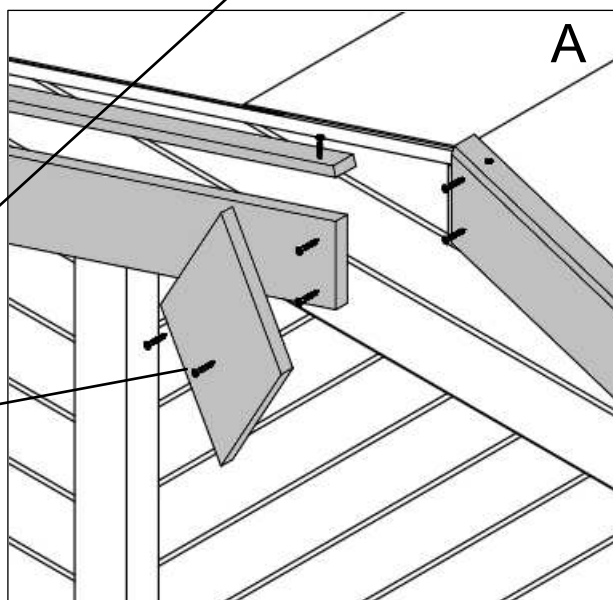
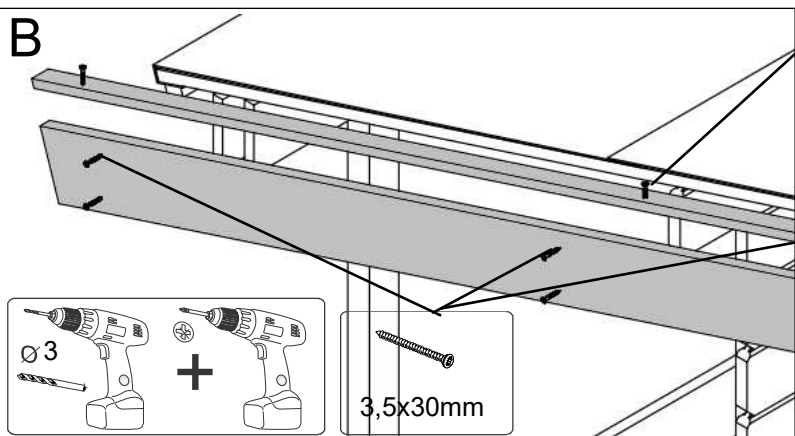
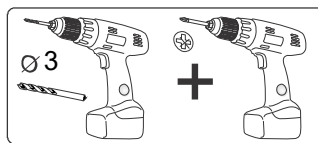
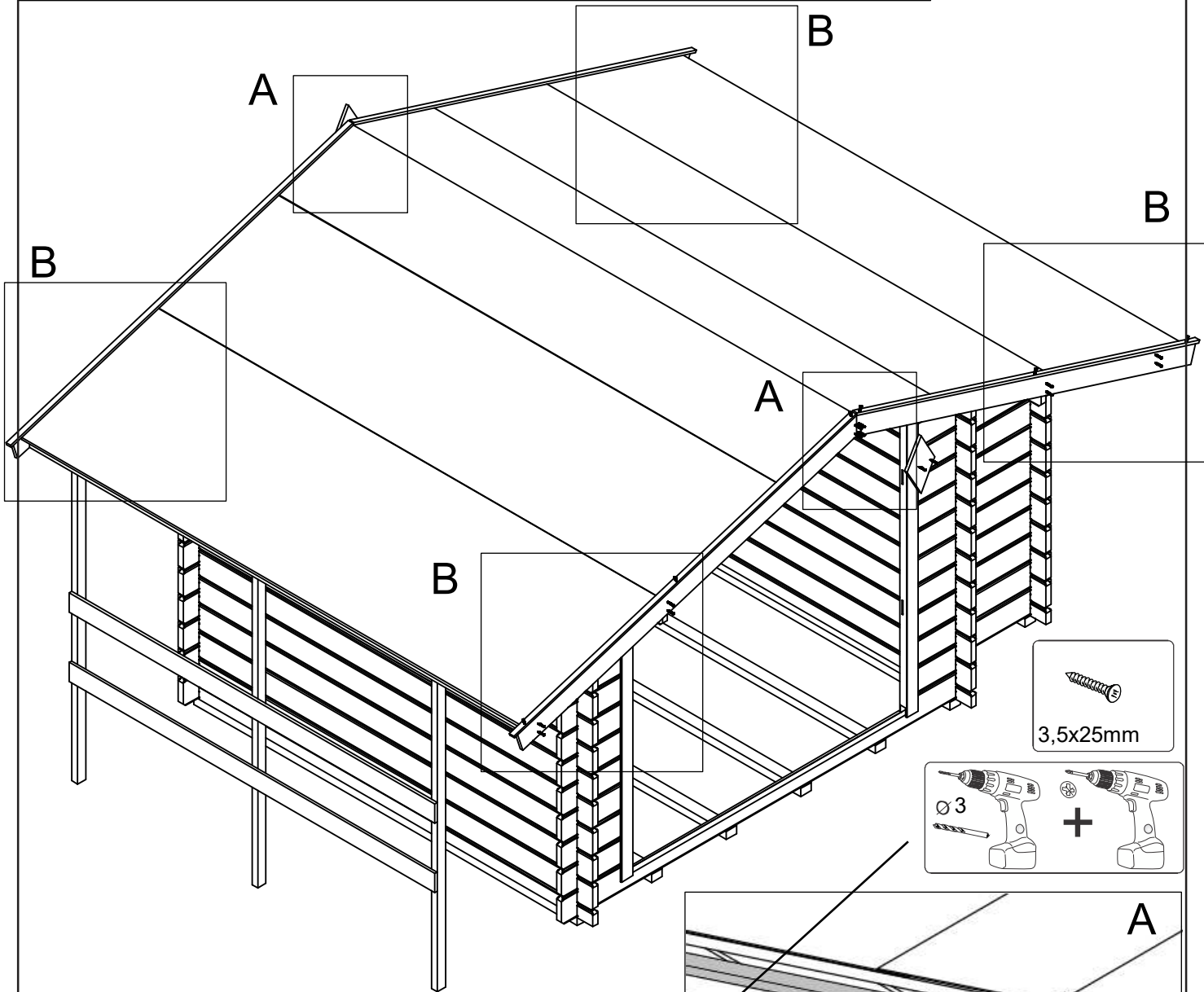
20  2X



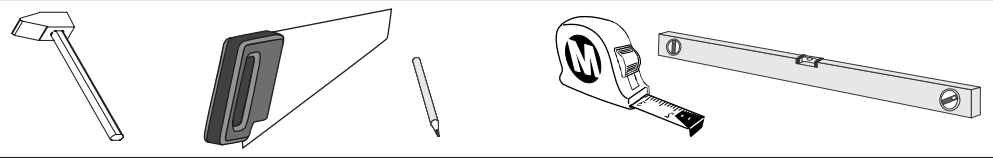
12x



24x



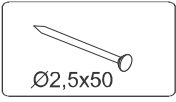
17



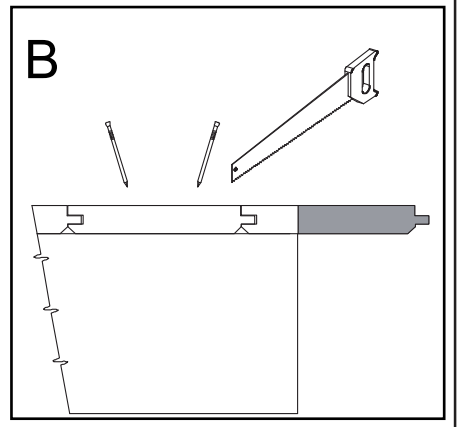
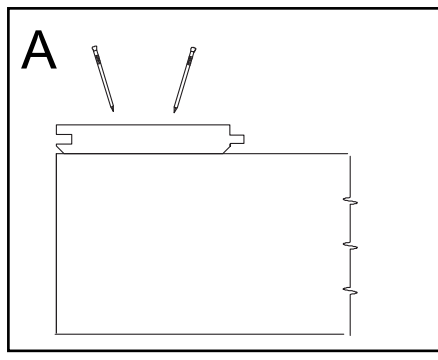
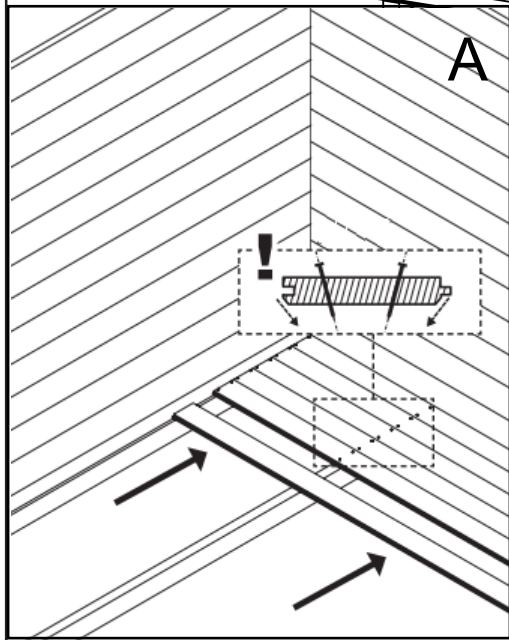
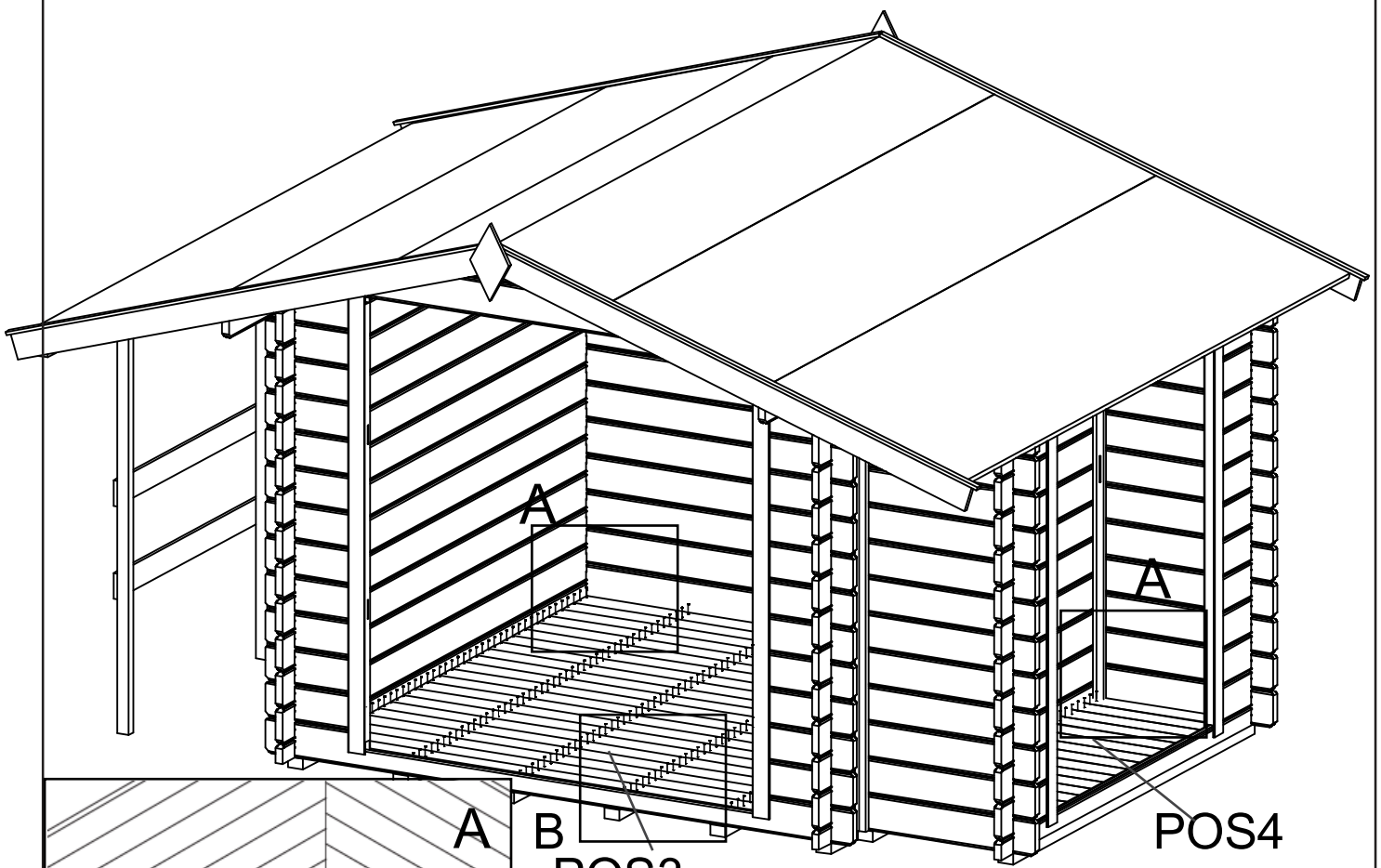
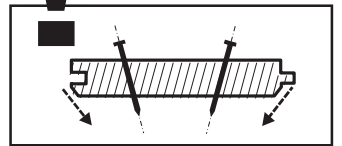
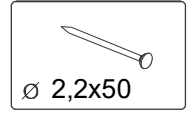
POS

3 15x99x2142 24X

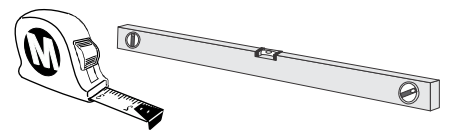
4 15x99x597 20X



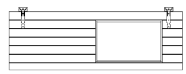
368X



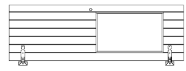
18



POS



780x1720 zü 1X



780x1720 z 1X



2X435X659 2X



18X38X712 4X



18X38X485 4X



15X25X673 2X



15X25X445 2X



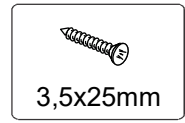
12X42X1740 2X



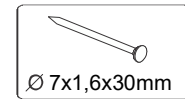
581x1500 z 1X



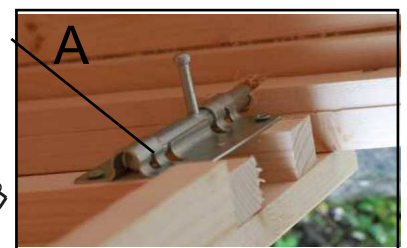
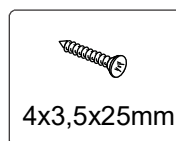
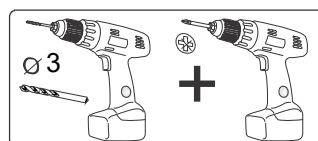
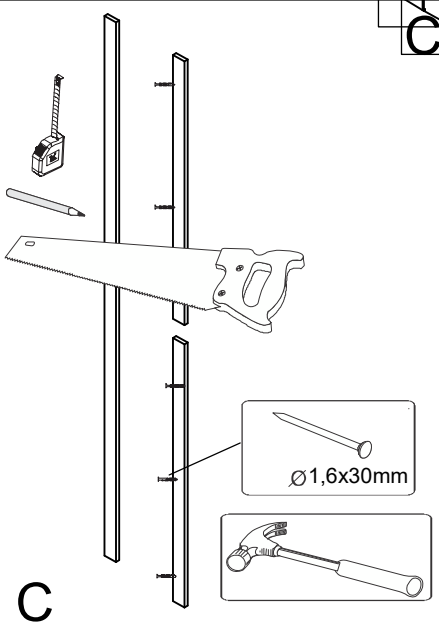
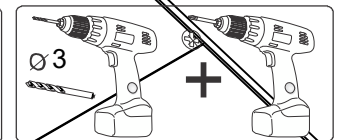
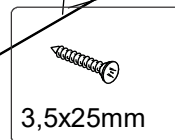
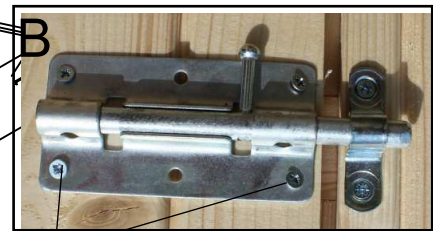
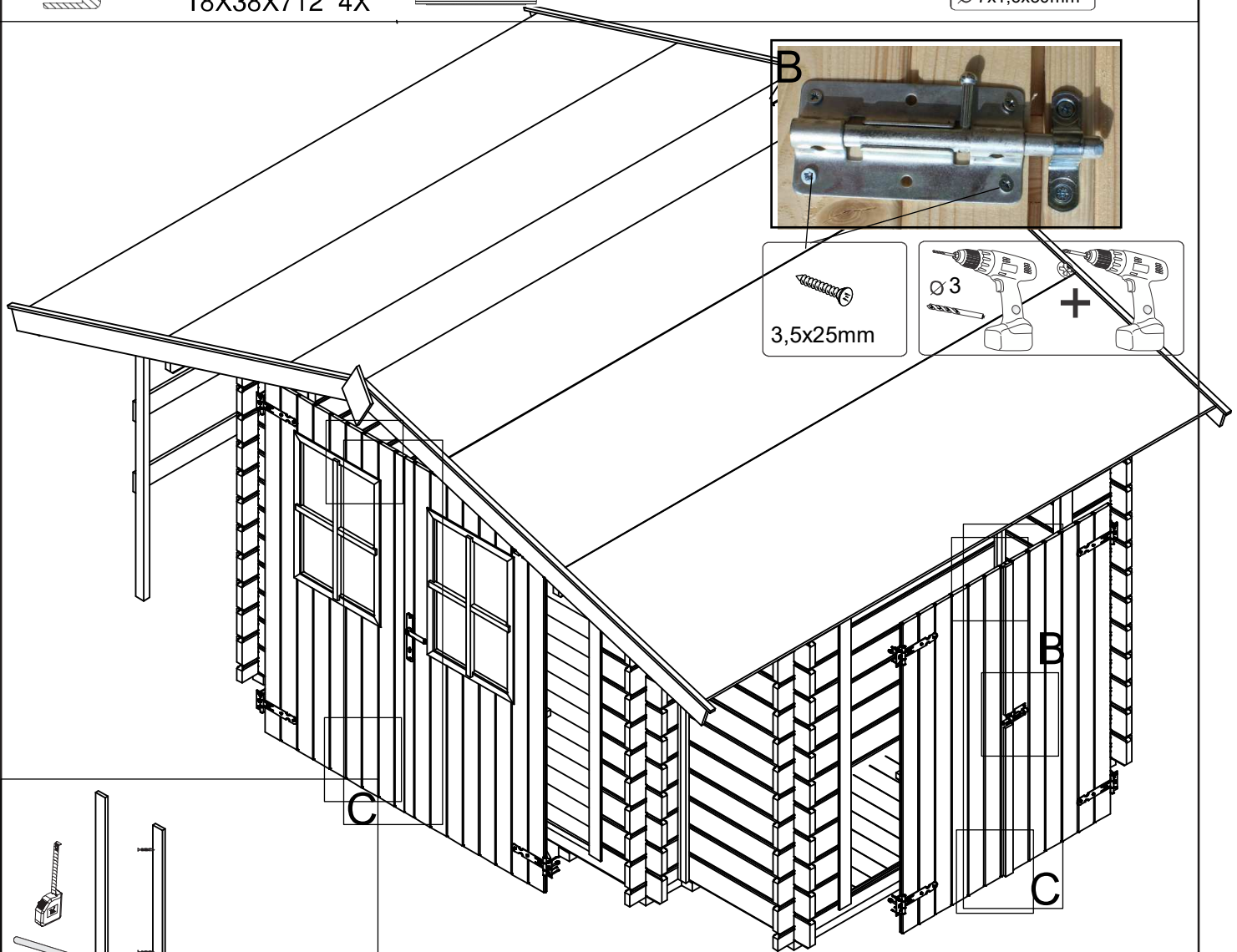
581x1500 zü 1X



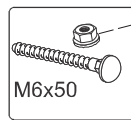
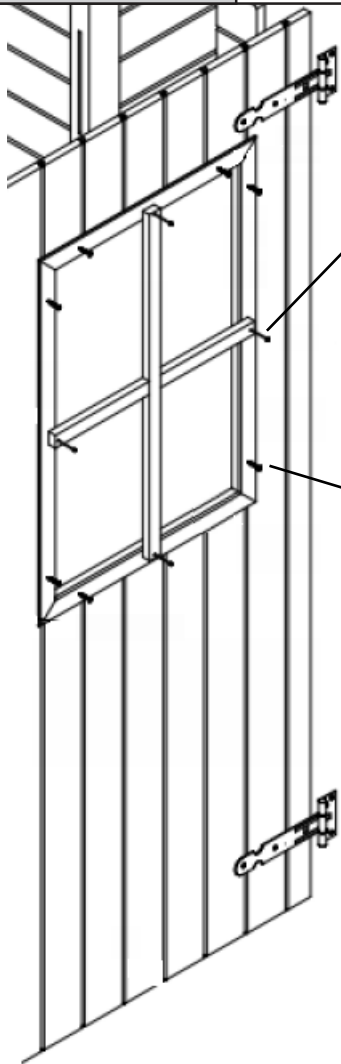
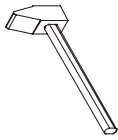
34x



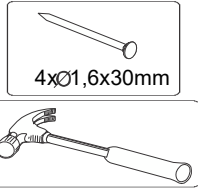
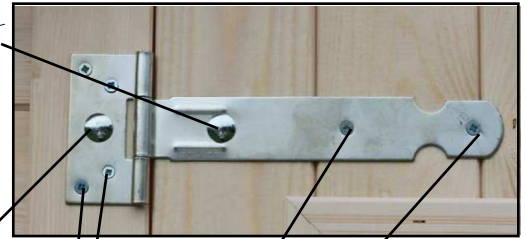
8x



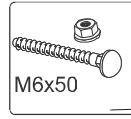
19



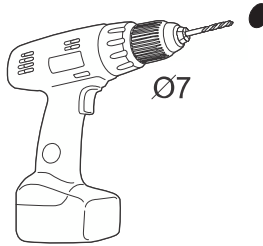
M6x50



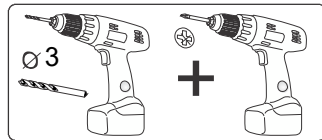
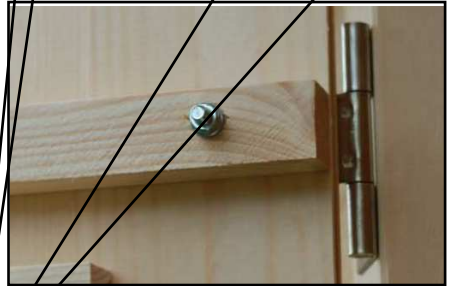
4xØ1,6x30mm



M6x50



Ø7

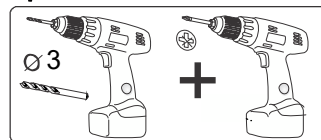


Ø3

+

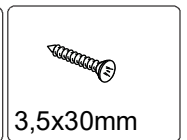


3,5x25mm

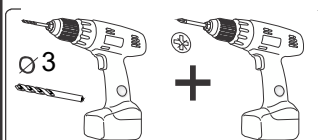


Ø3

+



3,5x30mm

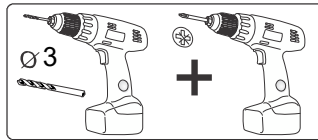


Ø3

+



4,0x20mm

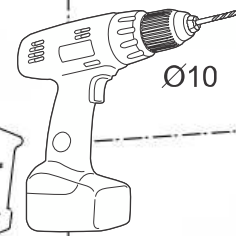
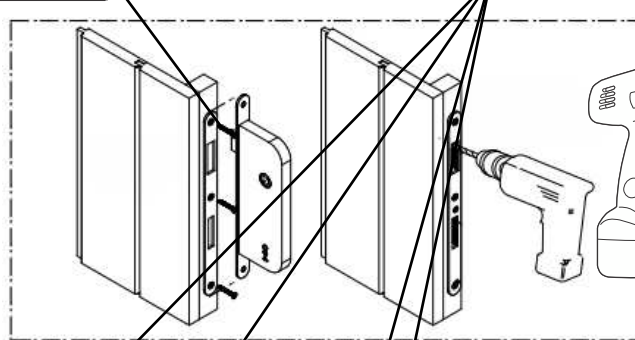


Ø3

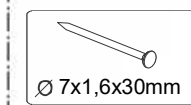
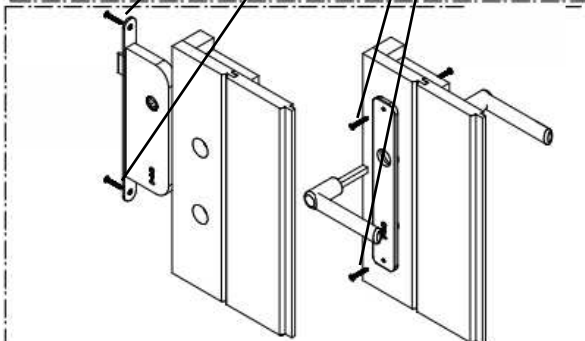
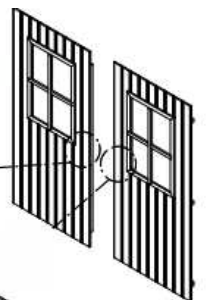
+



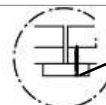
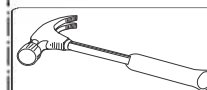
3,5x25mm



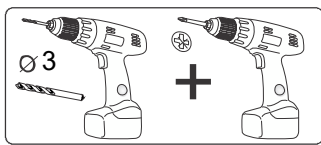
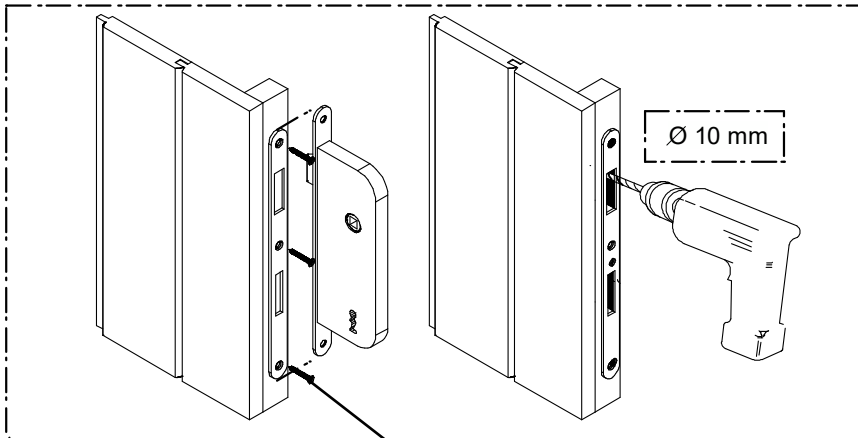
Ø10



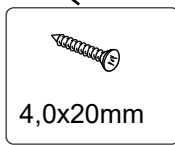
Ø7x1,6x30mm



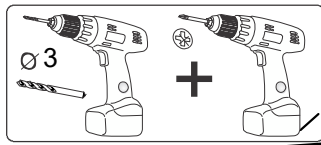
20



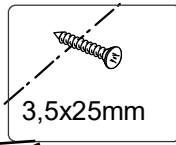
+



4,0x20mm



+



3,5x25mm

