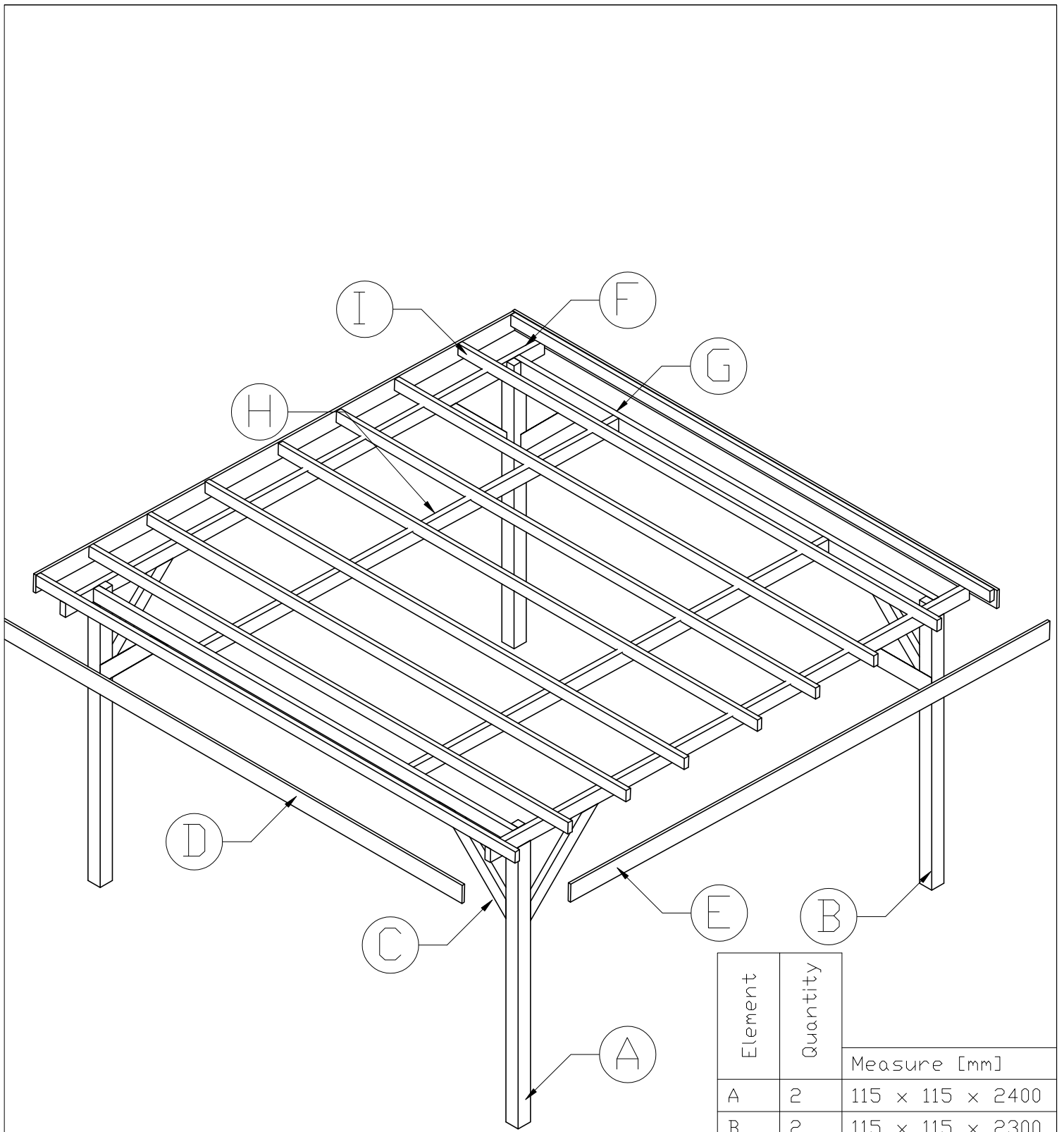


Gazebo Modern Medium

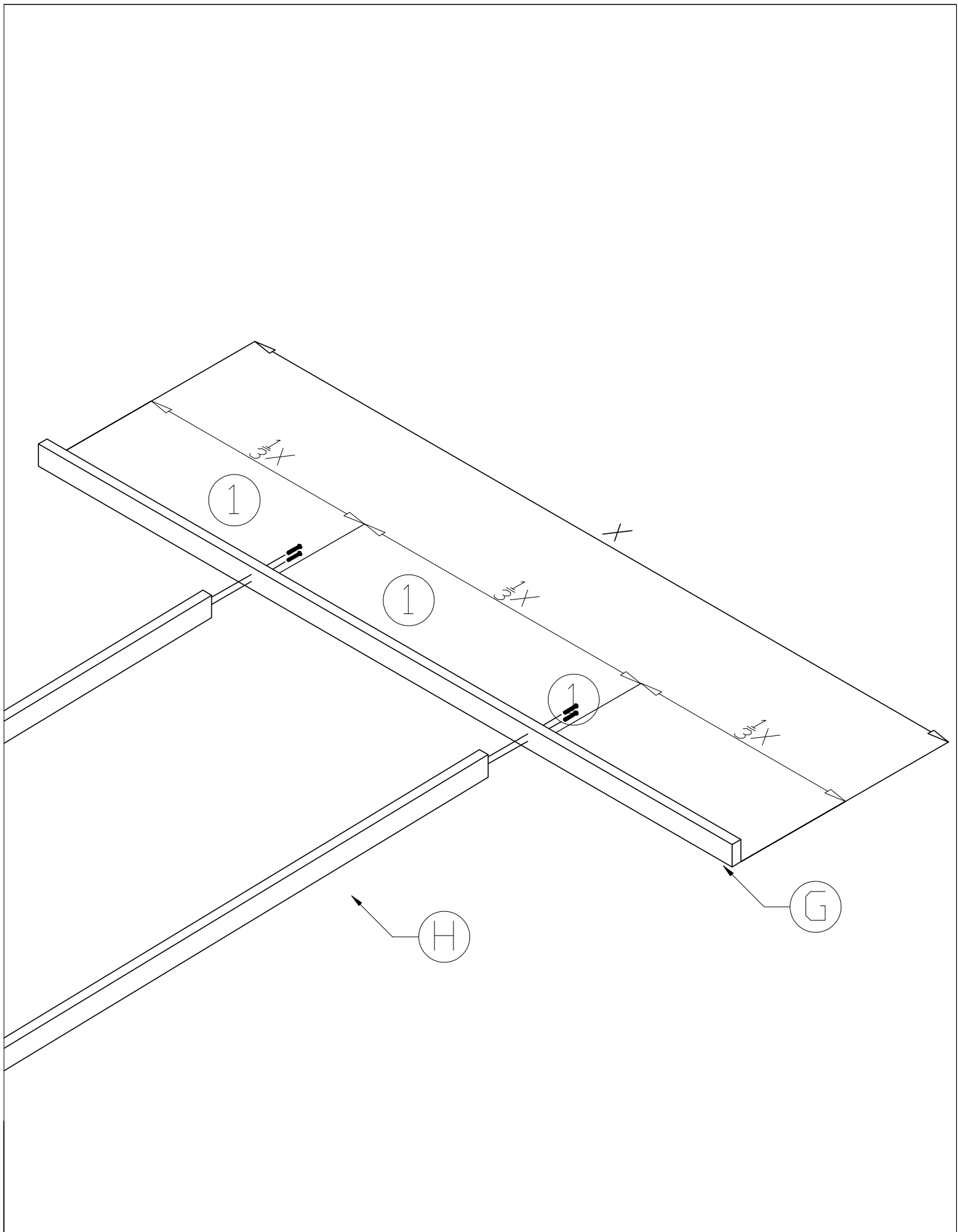


Element	Quantity	Measure [mm]
		A
B	2	115 × 115 × 2300
C	8	900 × 110 × 50
D	2	22 × 145 × 3650
E	2	22 × 145 × 3600
F	2	50 × 110 × 3600
G	1	50 × 110 × 2940
H	2	50 × 110 × 2810
I	9	40 × 90 × 3600

Assembling parts		
#	Element	Q.
1	Wood screw Ø4 × 80	32
2	Nail Ø4 × 110	80
3	Nail Ø3 × 40	40

Article: Page: 2/17

Article nr: 42.3636



Article:

Gazebo Modern Medium - Assemblage

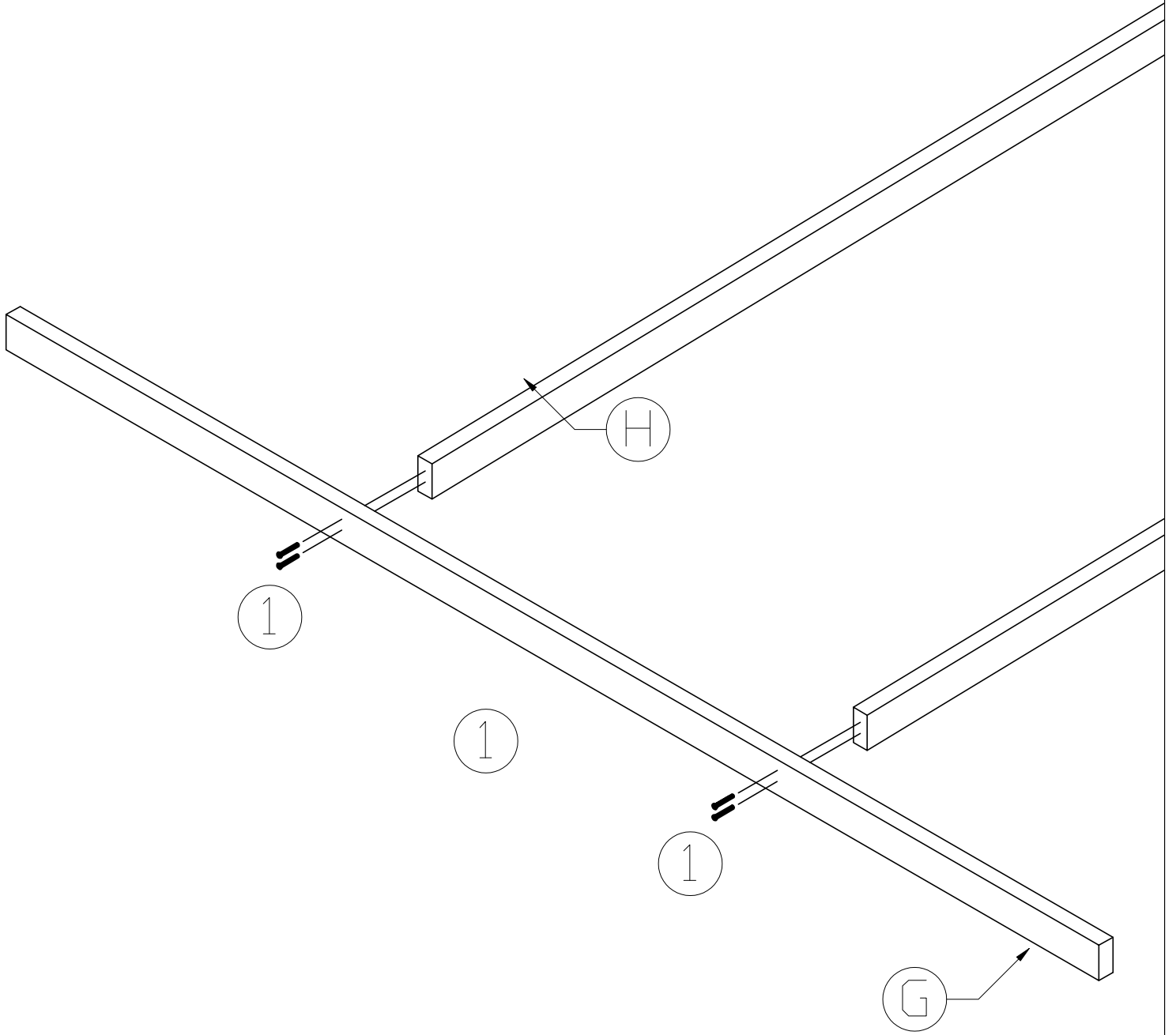
Page:

3/17

Article nr:

42.3636





Article:

Gazebo Modern Medium - Assemblage

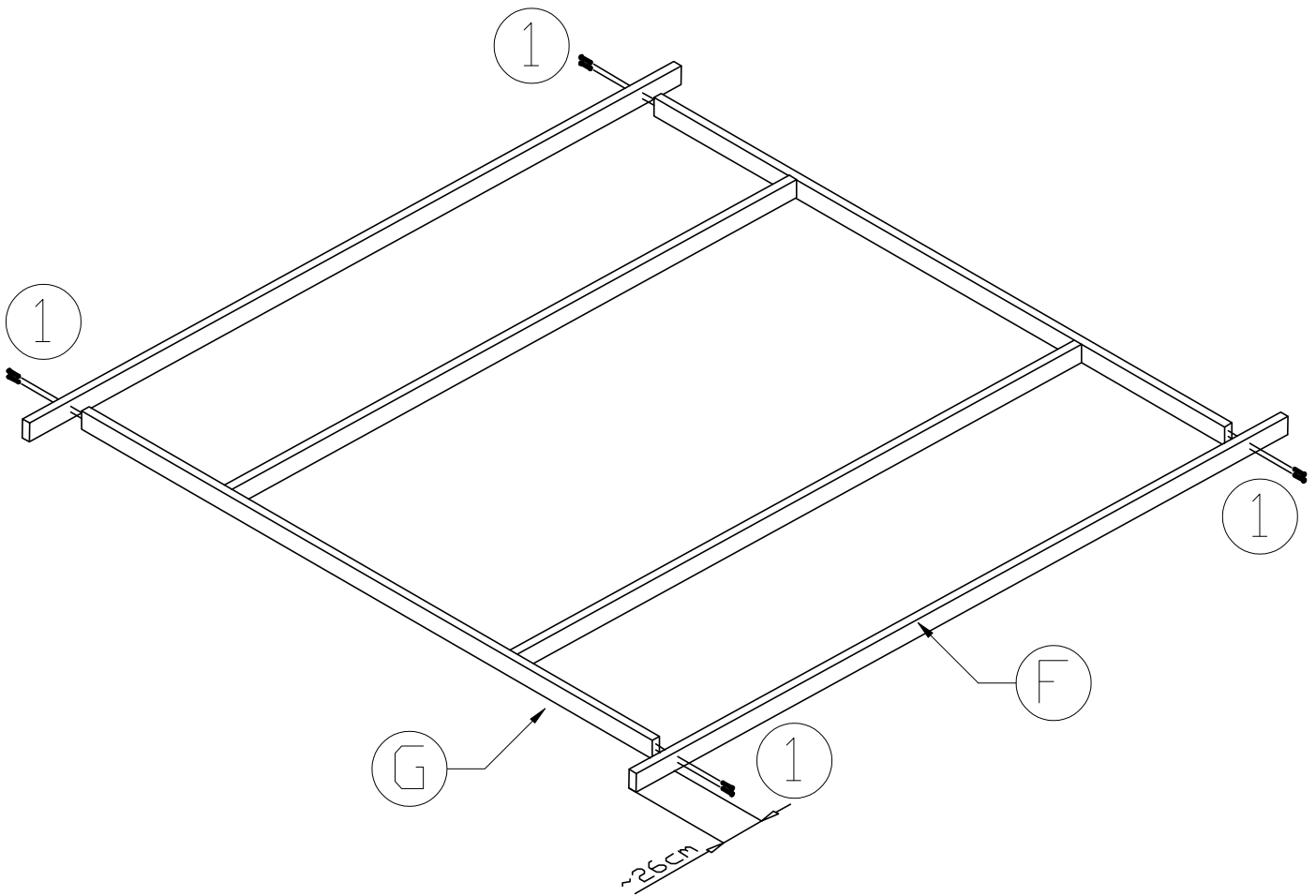
Page:

4/17

Article nr:

42.3636





Article:

Gazebo Modern Medium - Assemblage

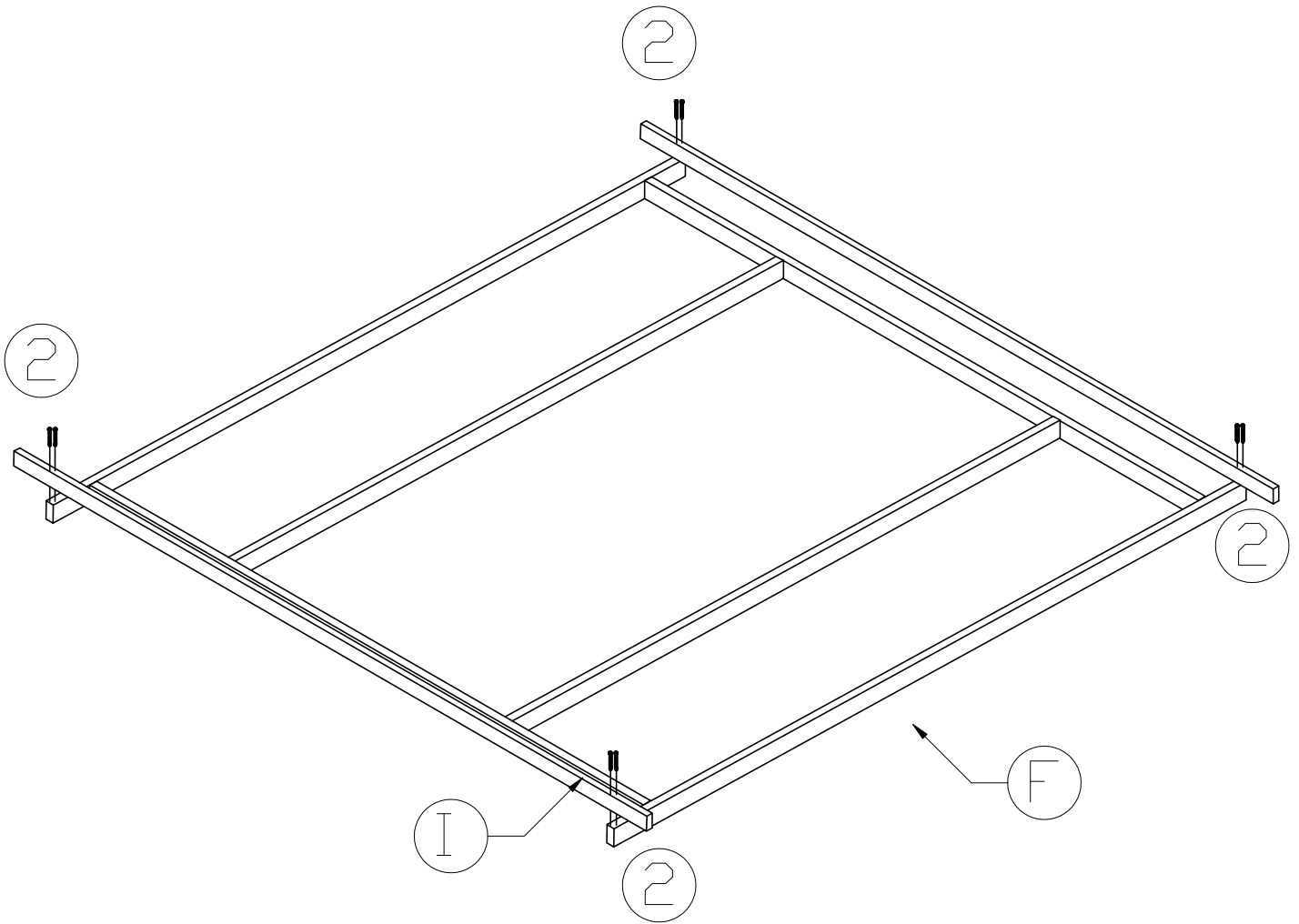
Page:

5/17

Article nr:

42.3636





Article:

Gazebo Modern Medium - Assemblage

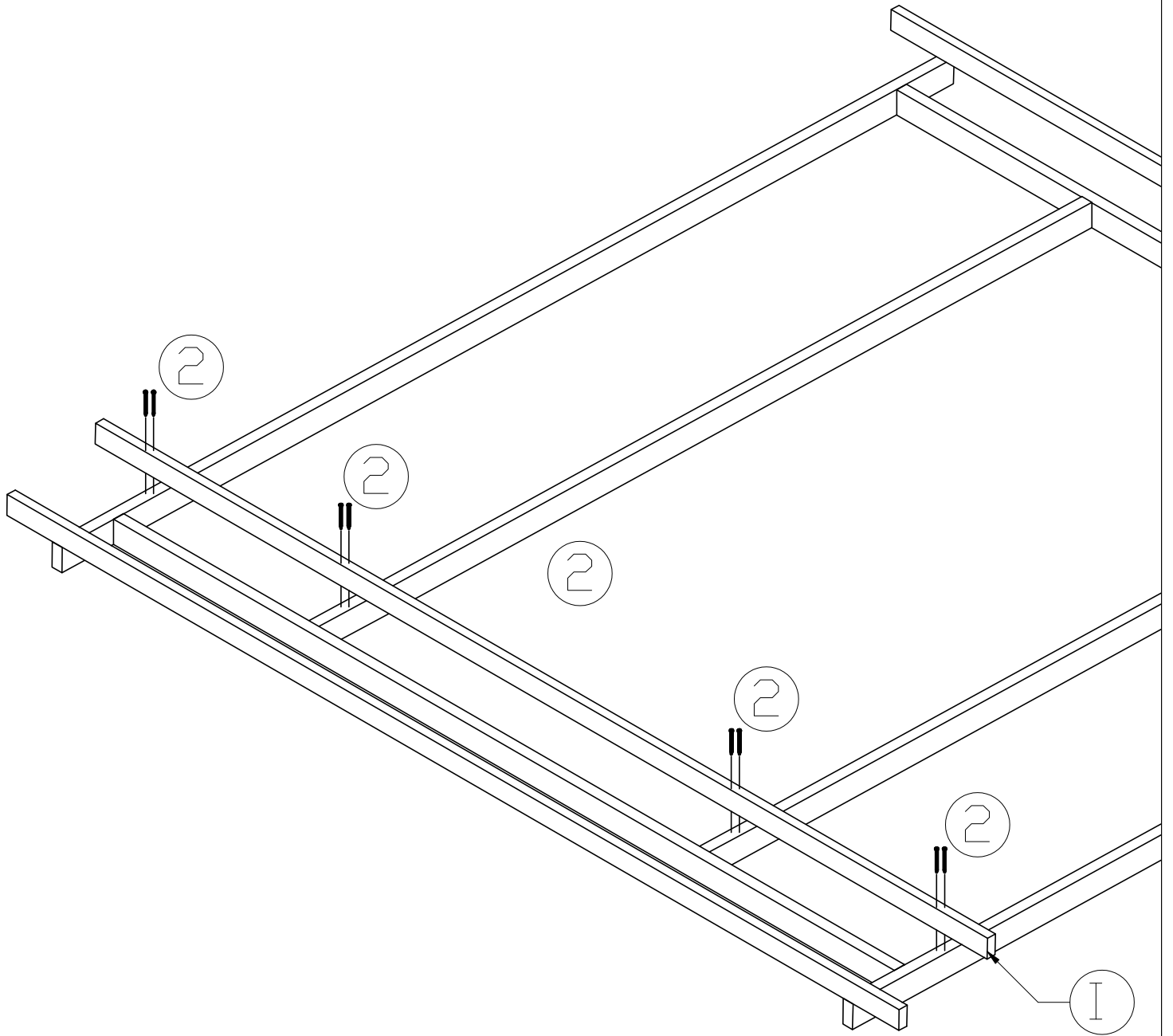
Page:

6/17

Article nr:

42.3636





Article:

Gazebo Modern Medium - Assemblage

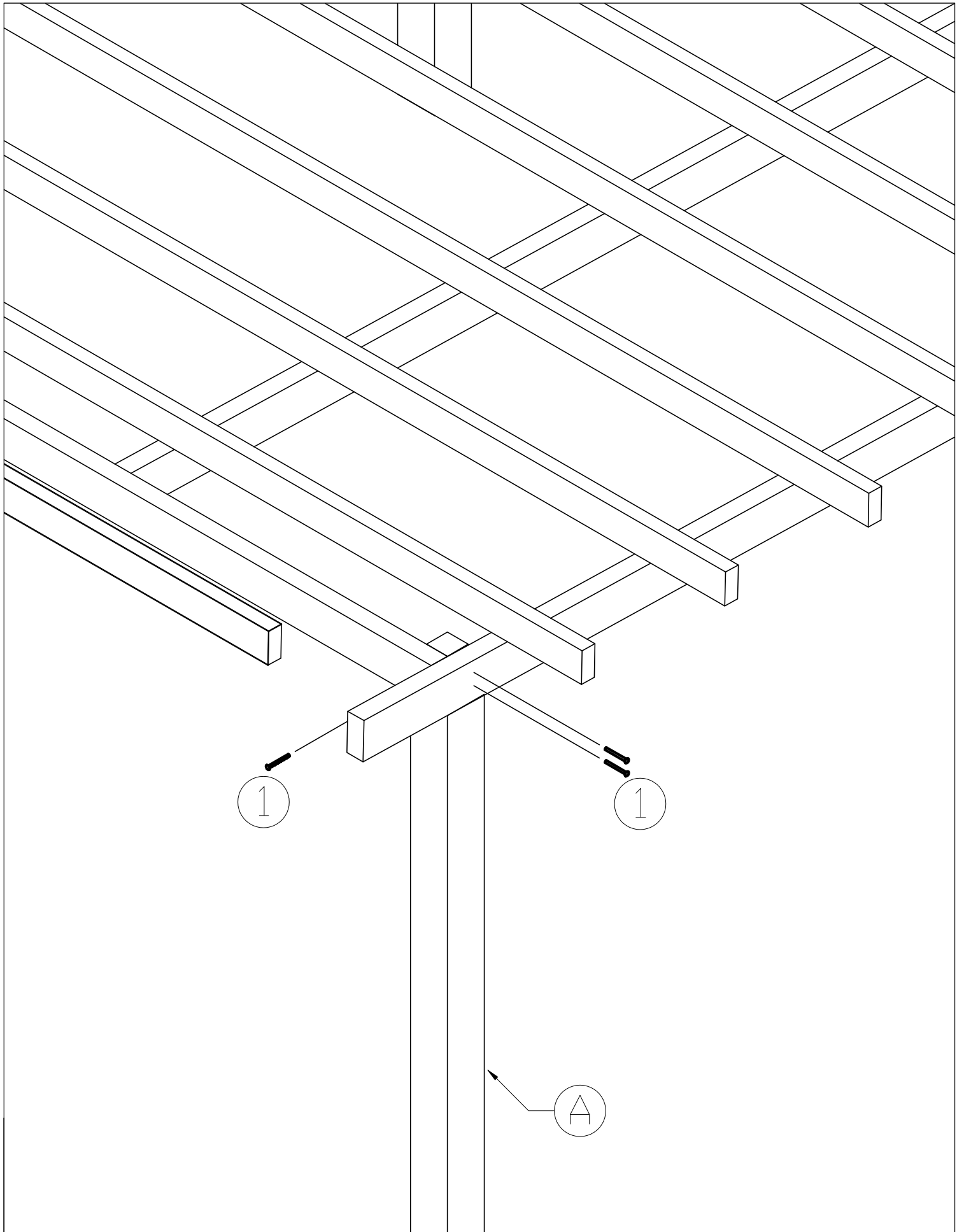
Page:

7/17

Article nr:

42.3636





Article:

Gazebo Modern Medium - Assemblage

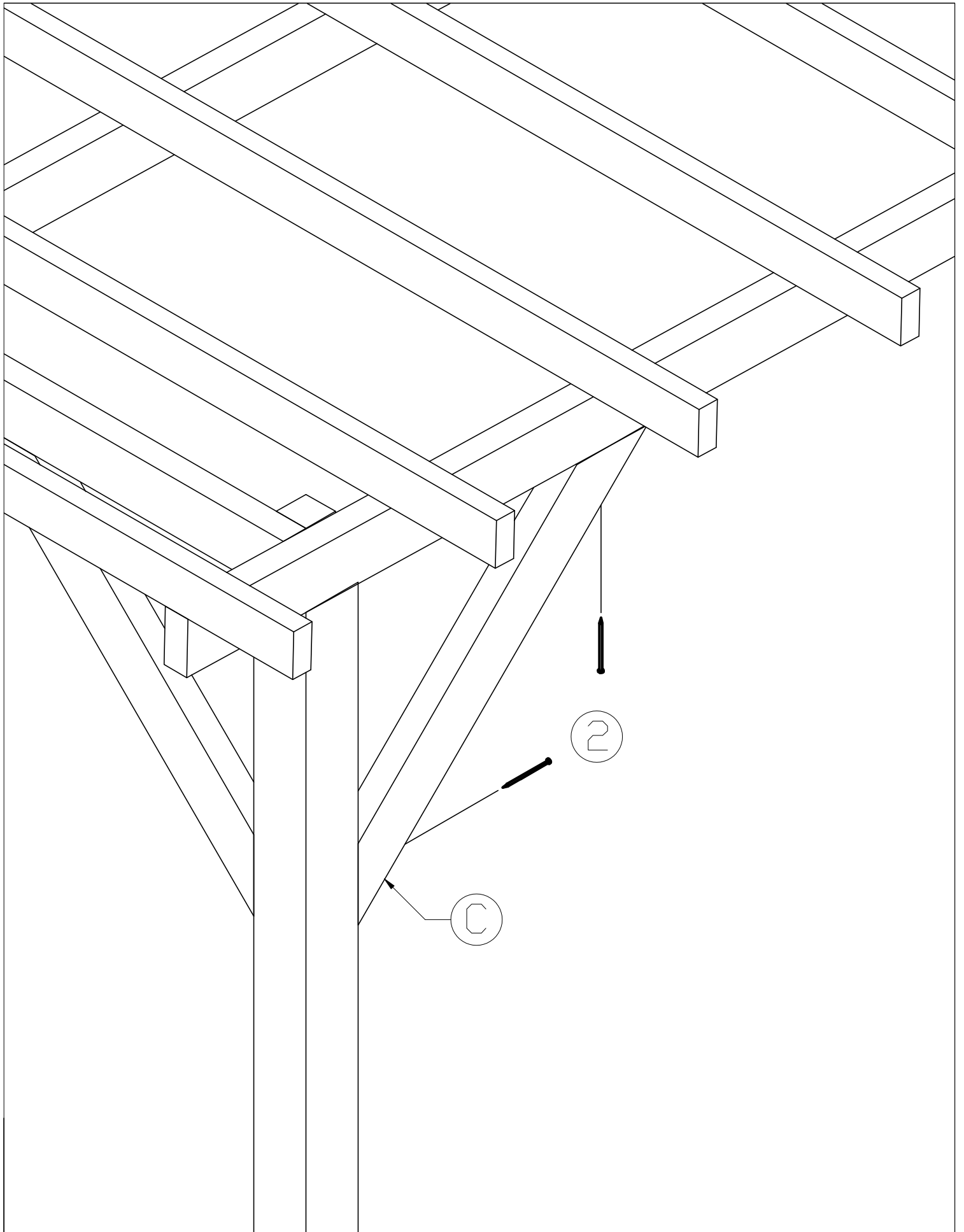
Page:

8/17

Article nr:

42.3636





Article:

Gazebo Modern Medium - Assemblage

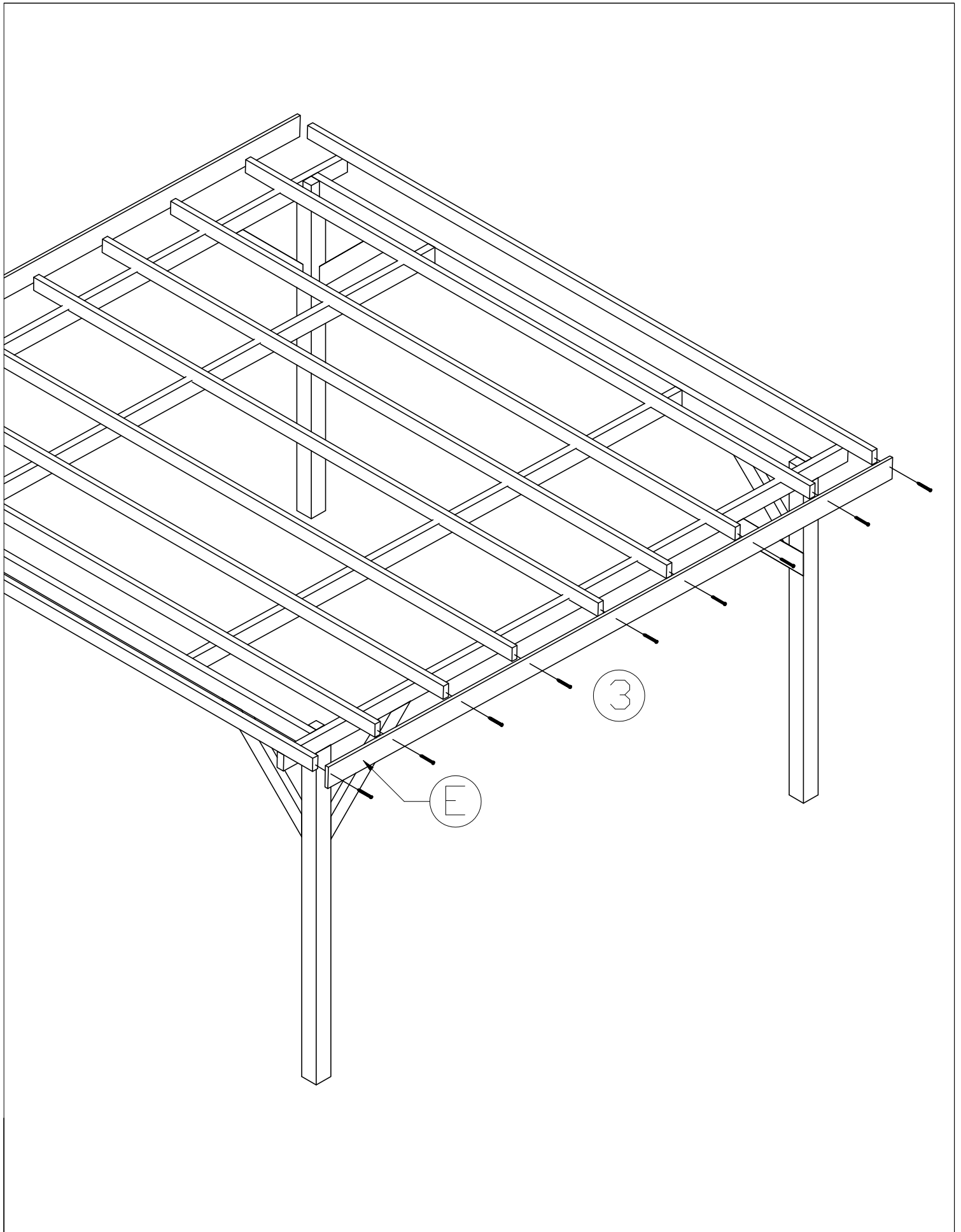
Page:

9/17

Article nr:

42.3636





Article:

Gazebo Modern Medium - Assemblage

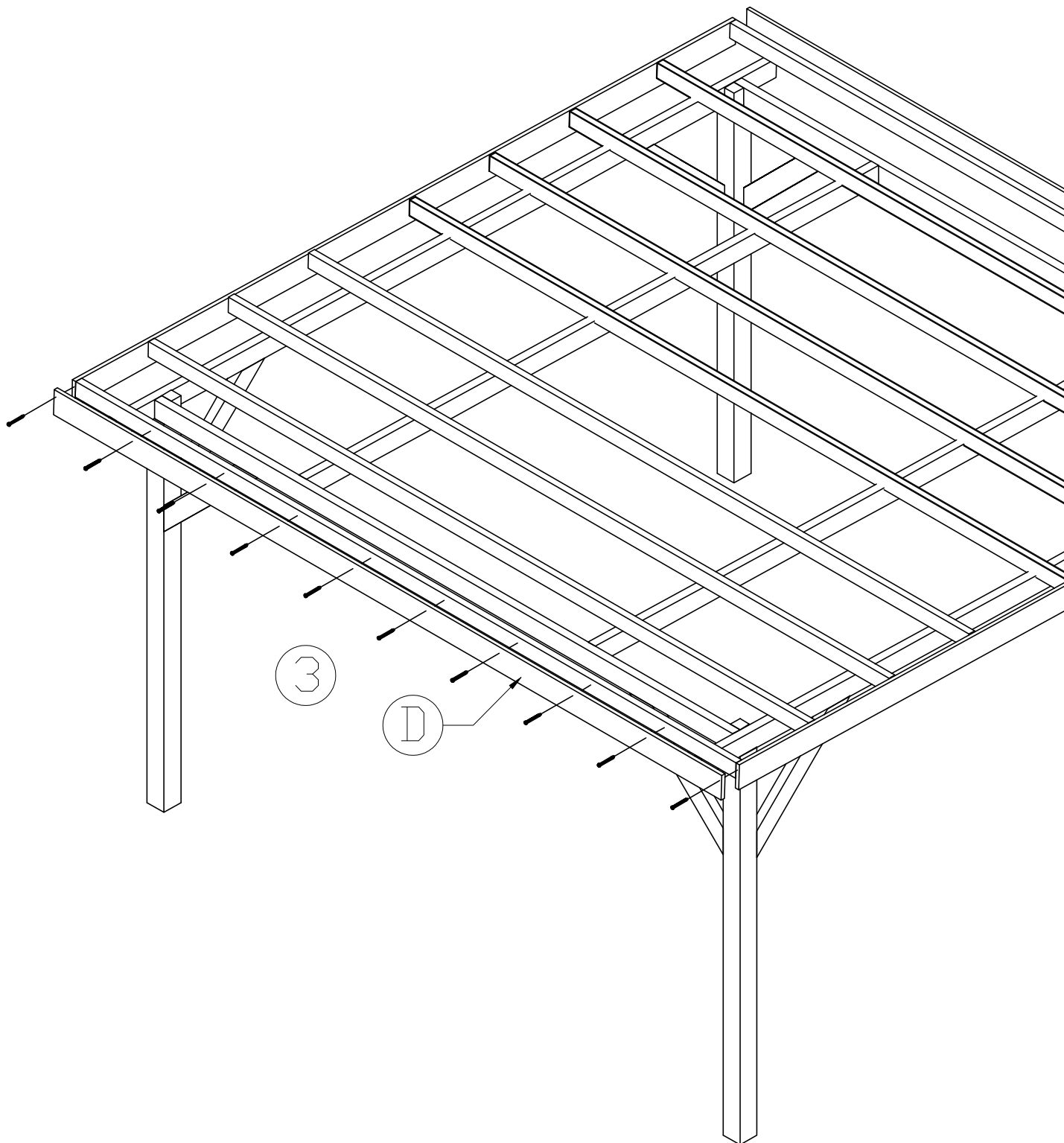
Page:

10/17

Article nr:

42.3636





Article:

Gazebo Modern Medium - Assemblage

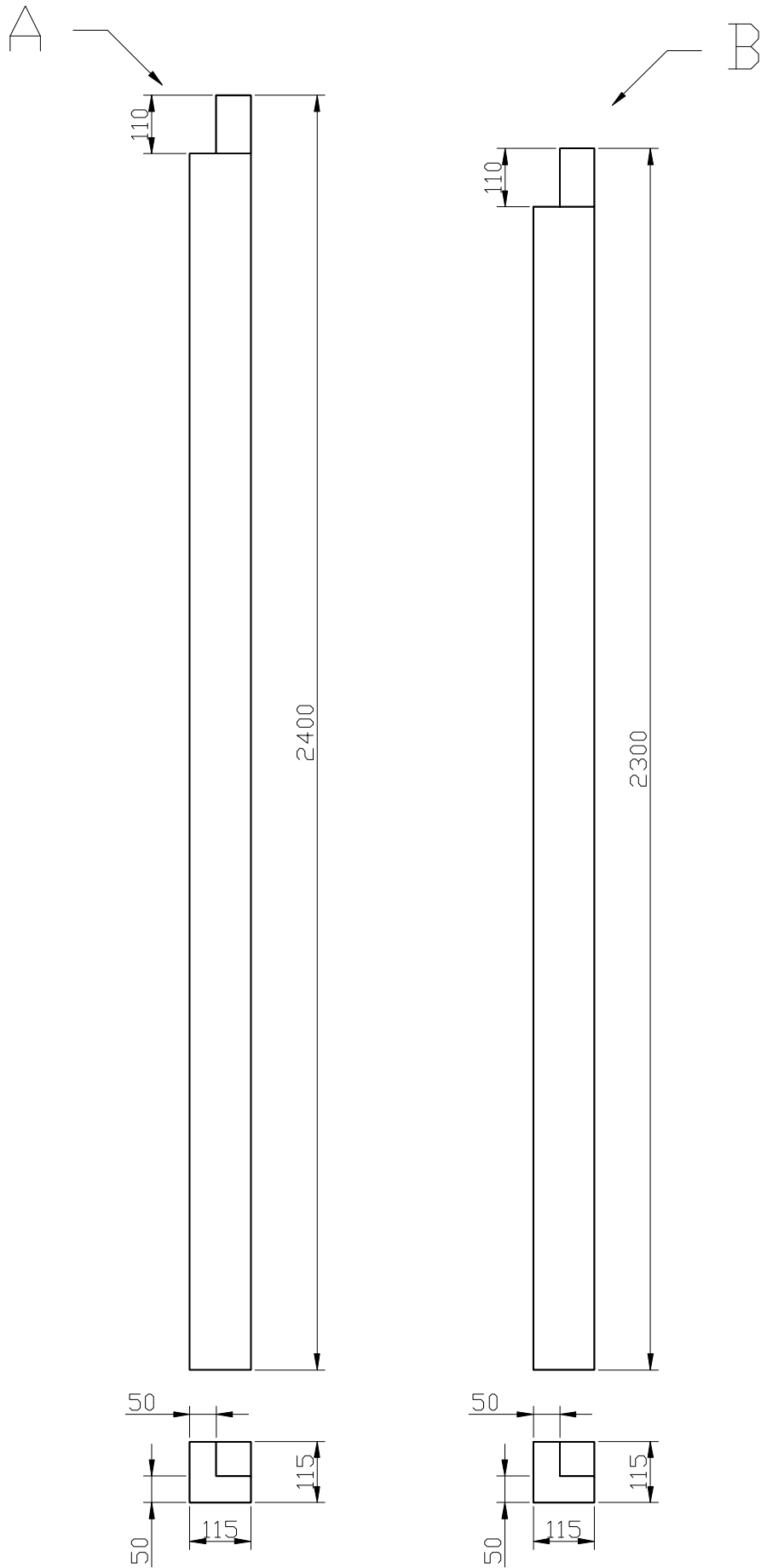
Page:

11/17

Article nr:

42.3636





Article:

Gazebo Modern Medium - Element A and B

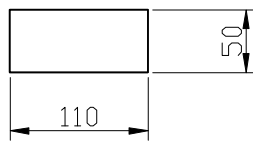
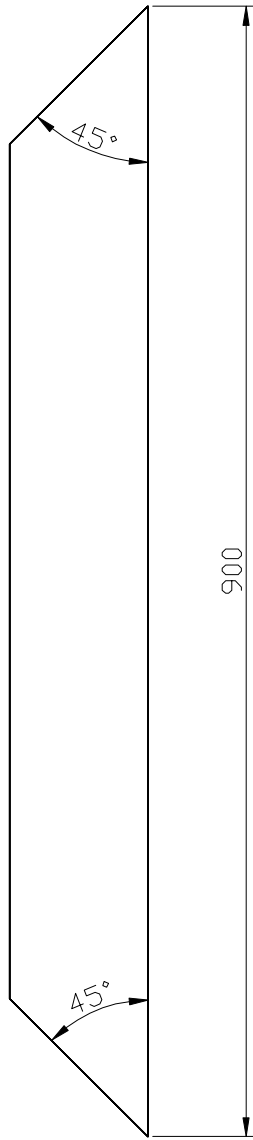
Page:

12/17

Article nr:

42.3636





Article:

Gazebo Modern Medium - Element C

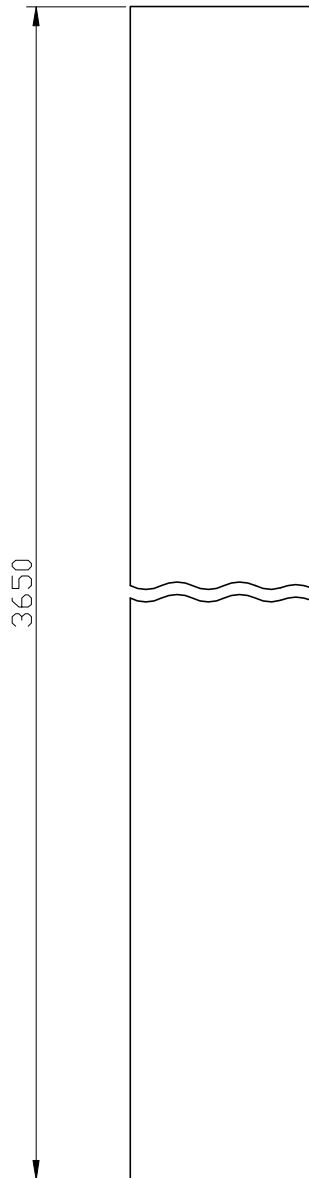
Page:

13/17

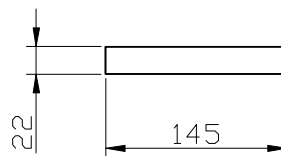
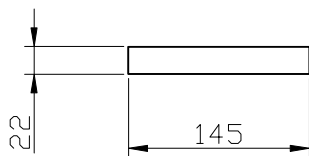
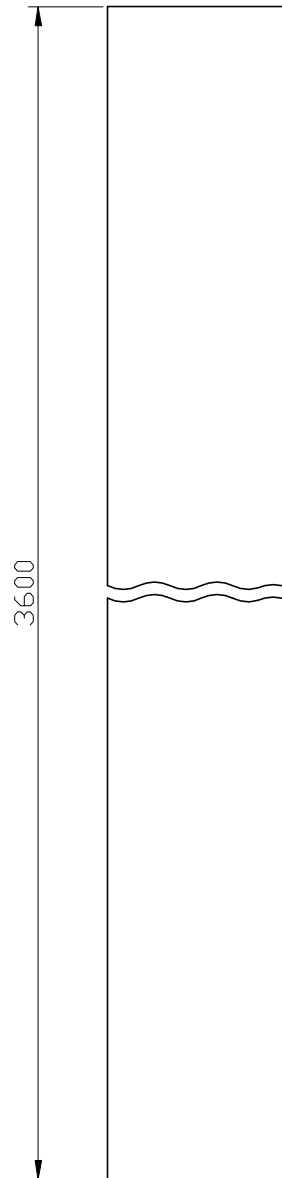
Article nr:

42.3636

D



E



Article:

Gazebo Modern Medium - Element D and E

Page:

14/17

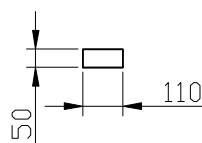
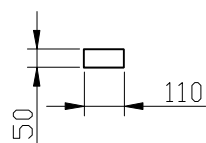
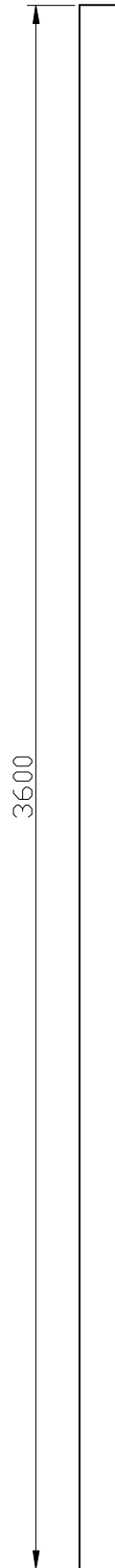
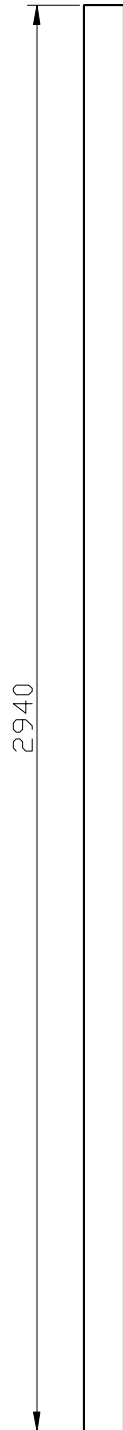
Article nr:

42.3636



G

F



Article:

Gazebo Modern Medium - Element F and G

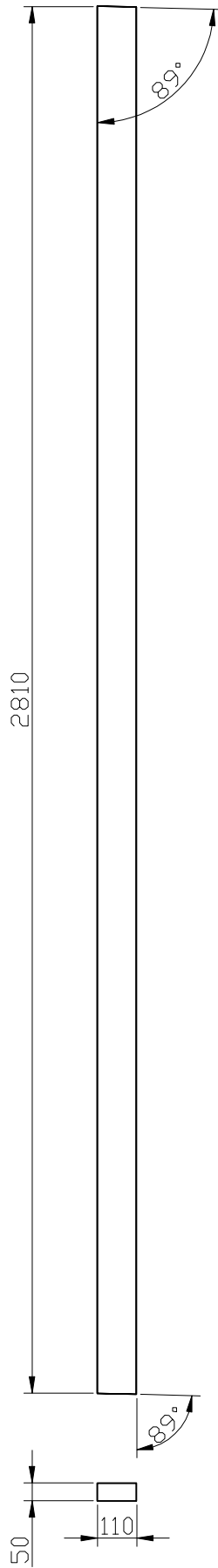
Page:

15/17

Article nr:

42.3636





Article:

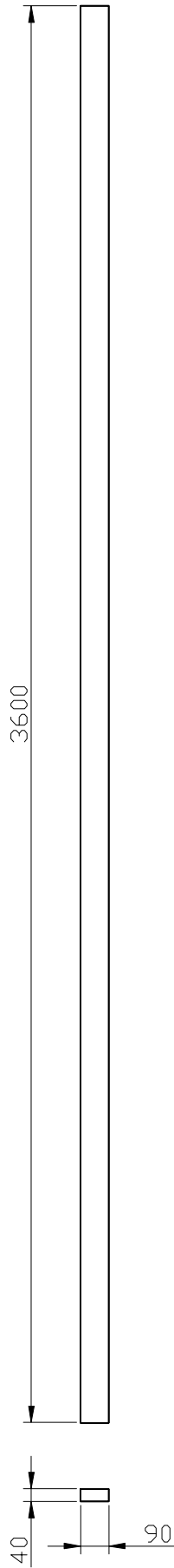
Gazebo Modern Medium - Element H

Page:

16/17

Article nr:

42.3636



Article:

Gazebo Modern Medium - Element I

Page:

17/17

Article nr:

42.3636

