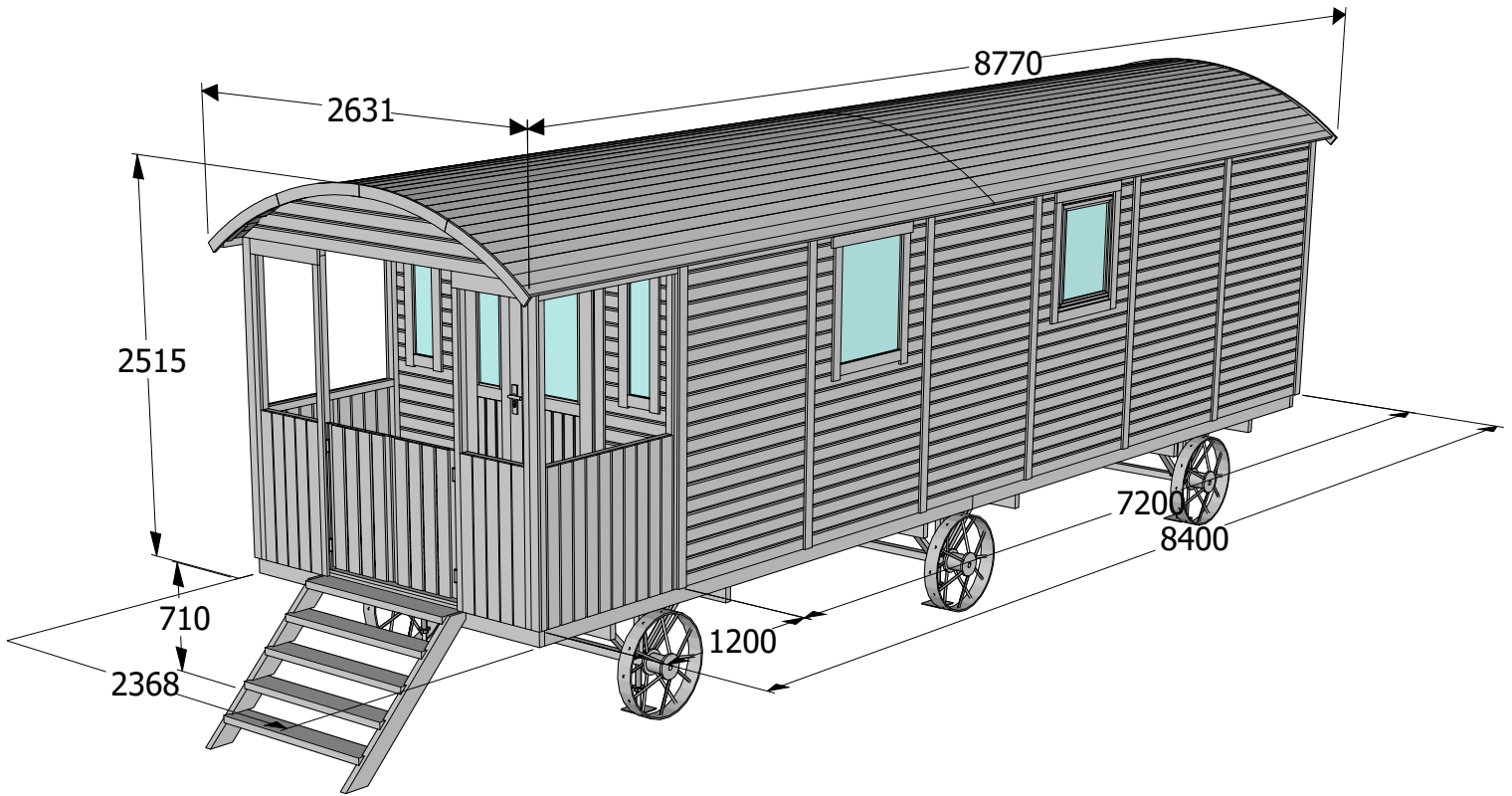
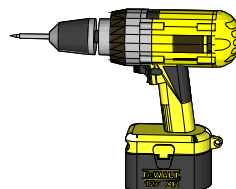
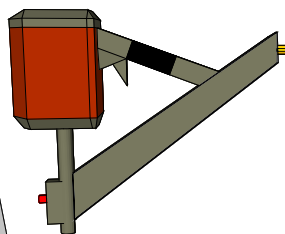
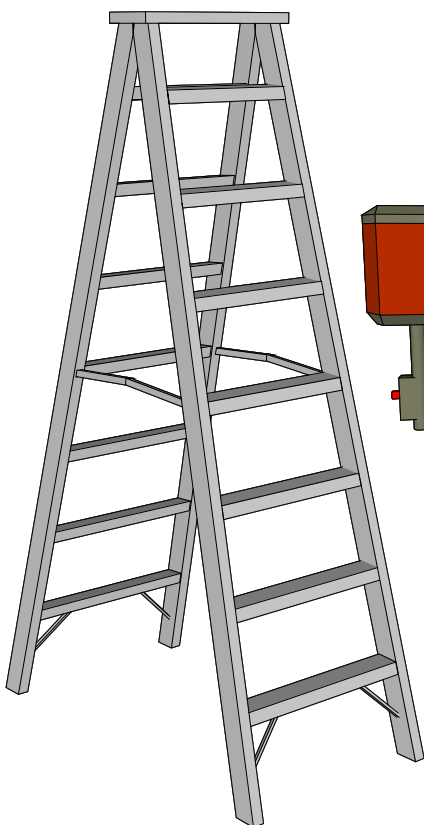
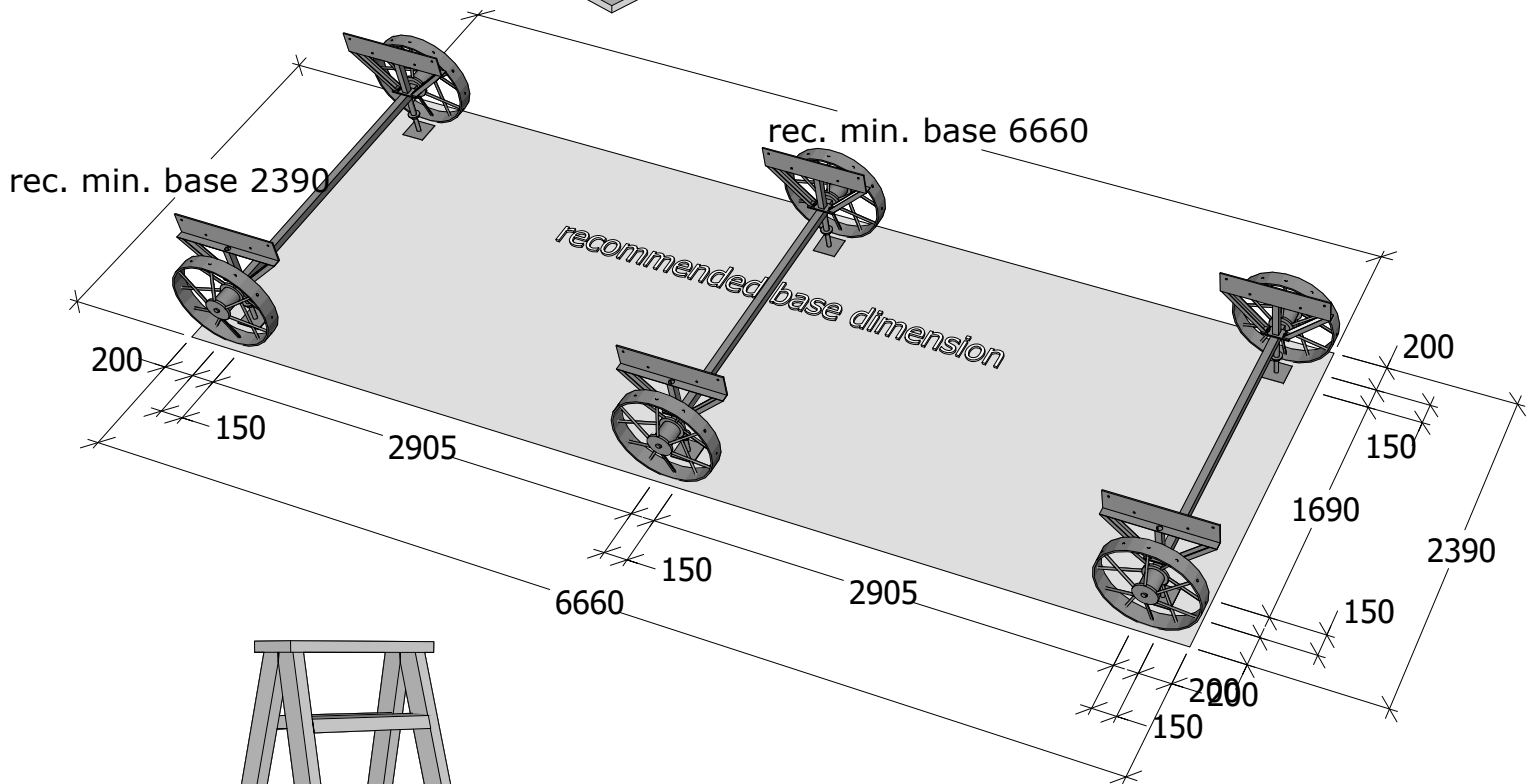
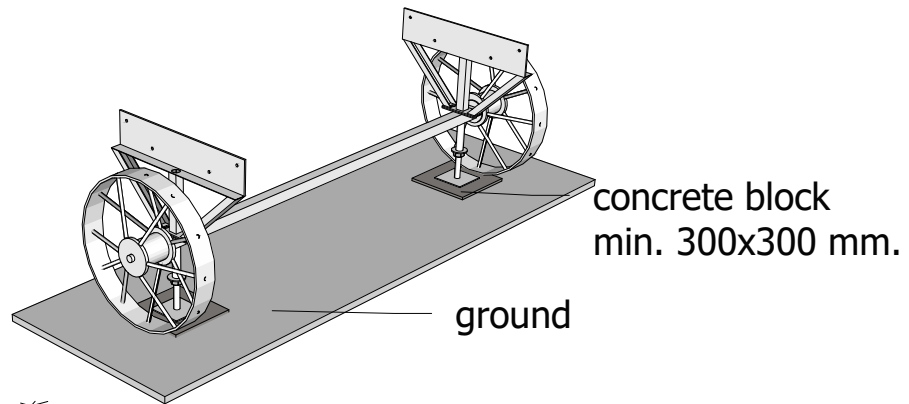


Assembly instruction wagon XL Jimmy 720+120

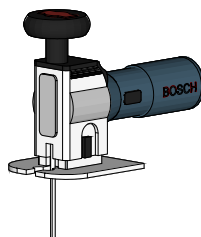
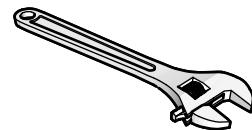


Assembly instruction wagon XL Jimmy 720+120

This wagon must be based on adjustable legs and is not movable.

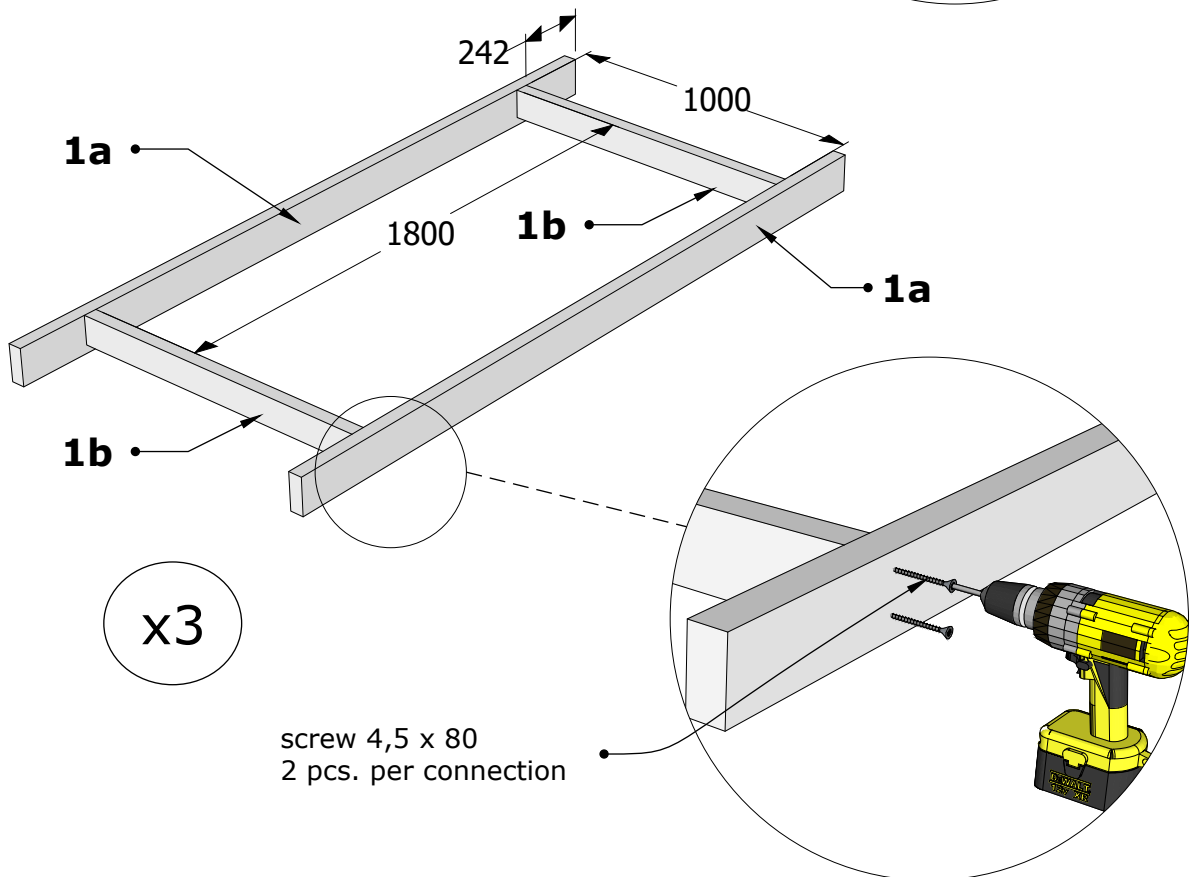
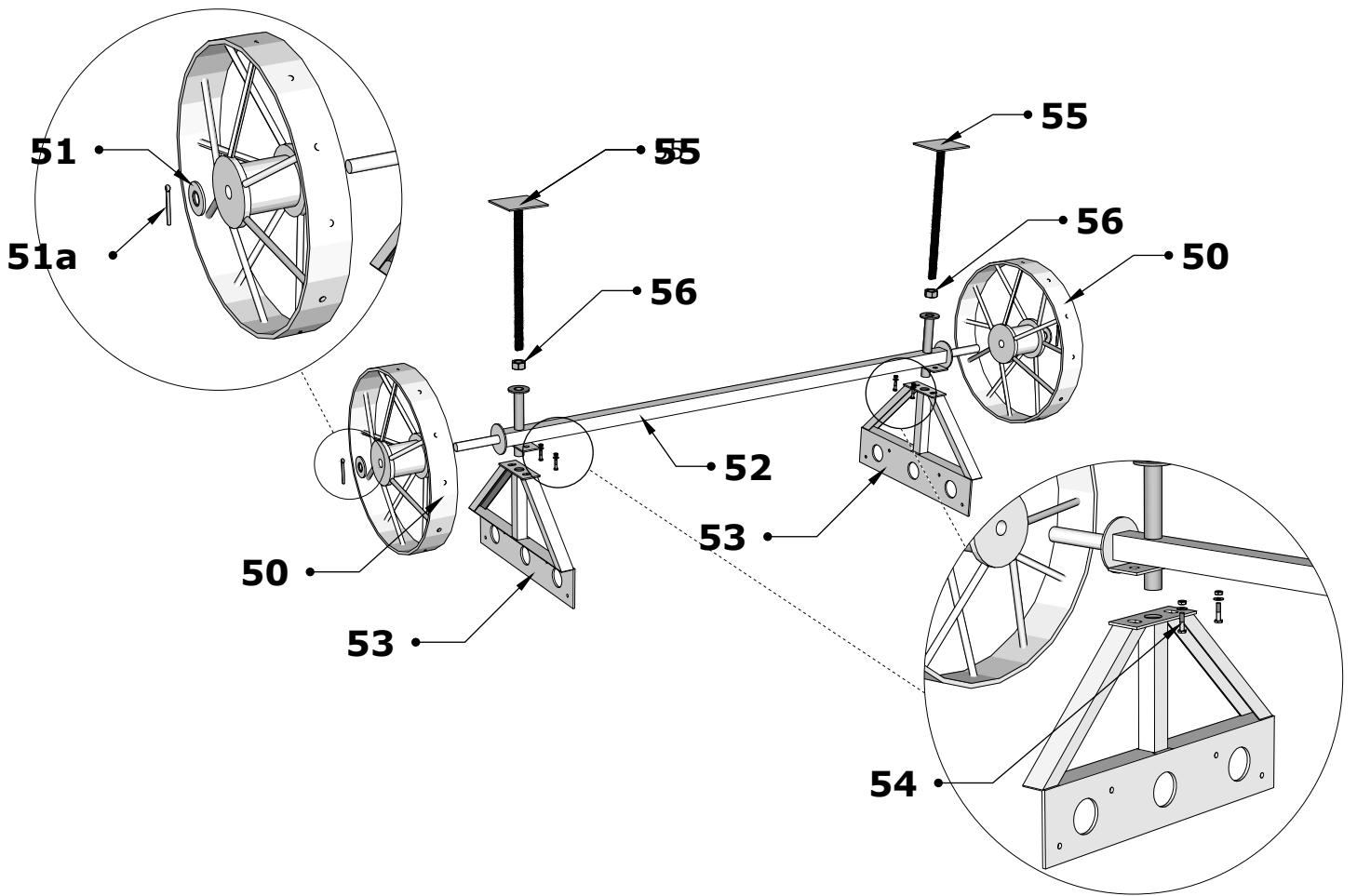


D 10 mm.

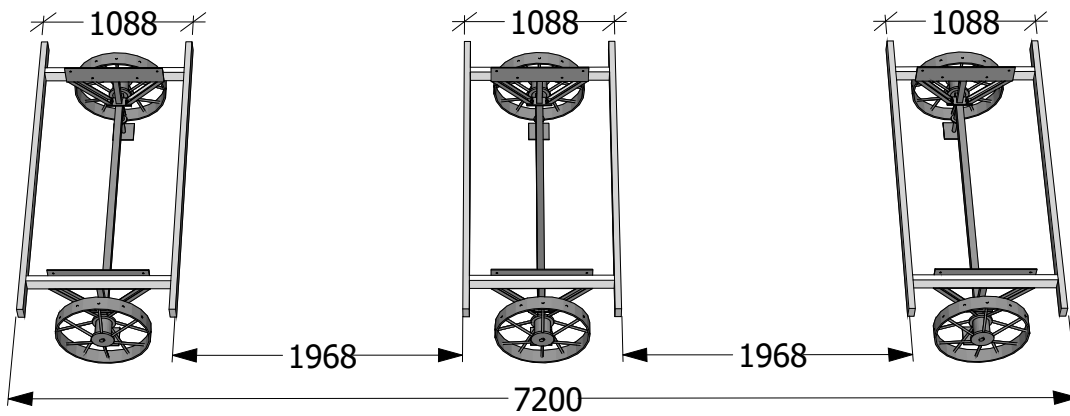
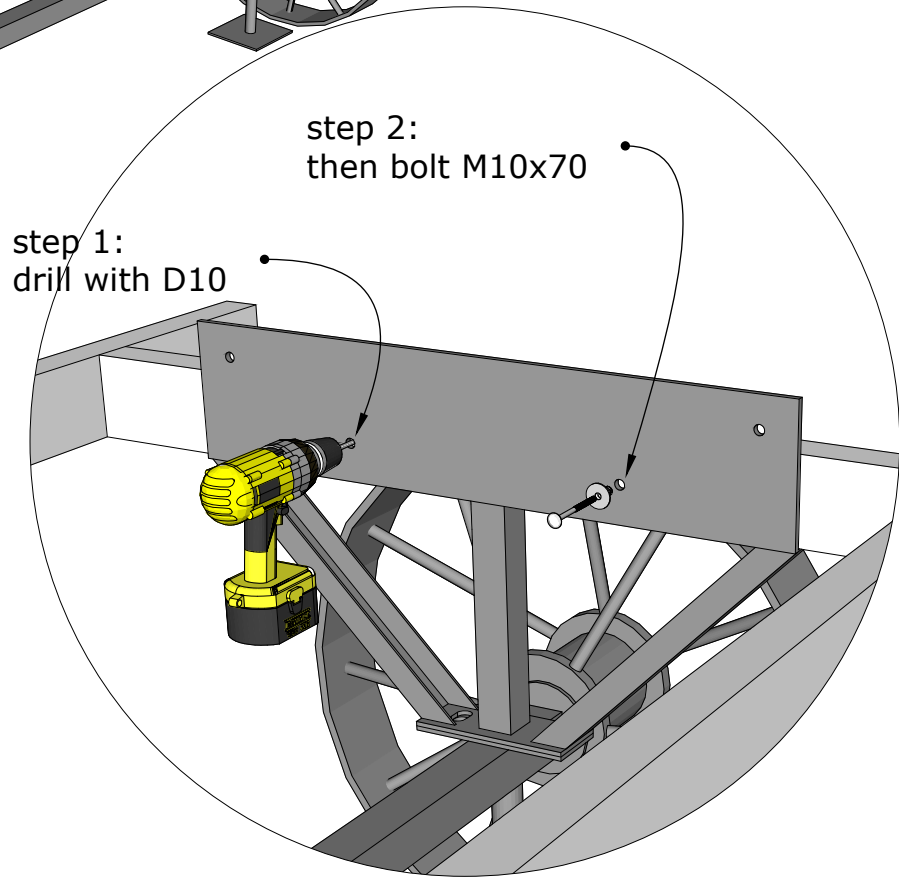
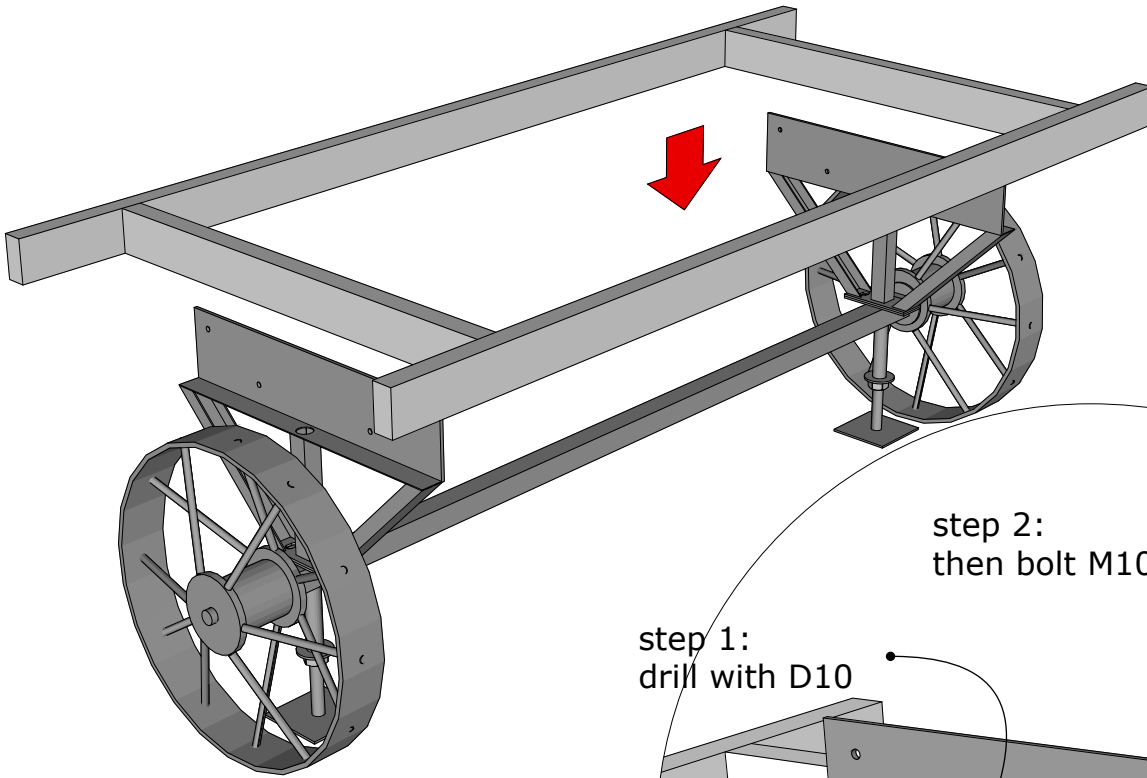


Assembly instruction wagon XL Jimmy 720+120

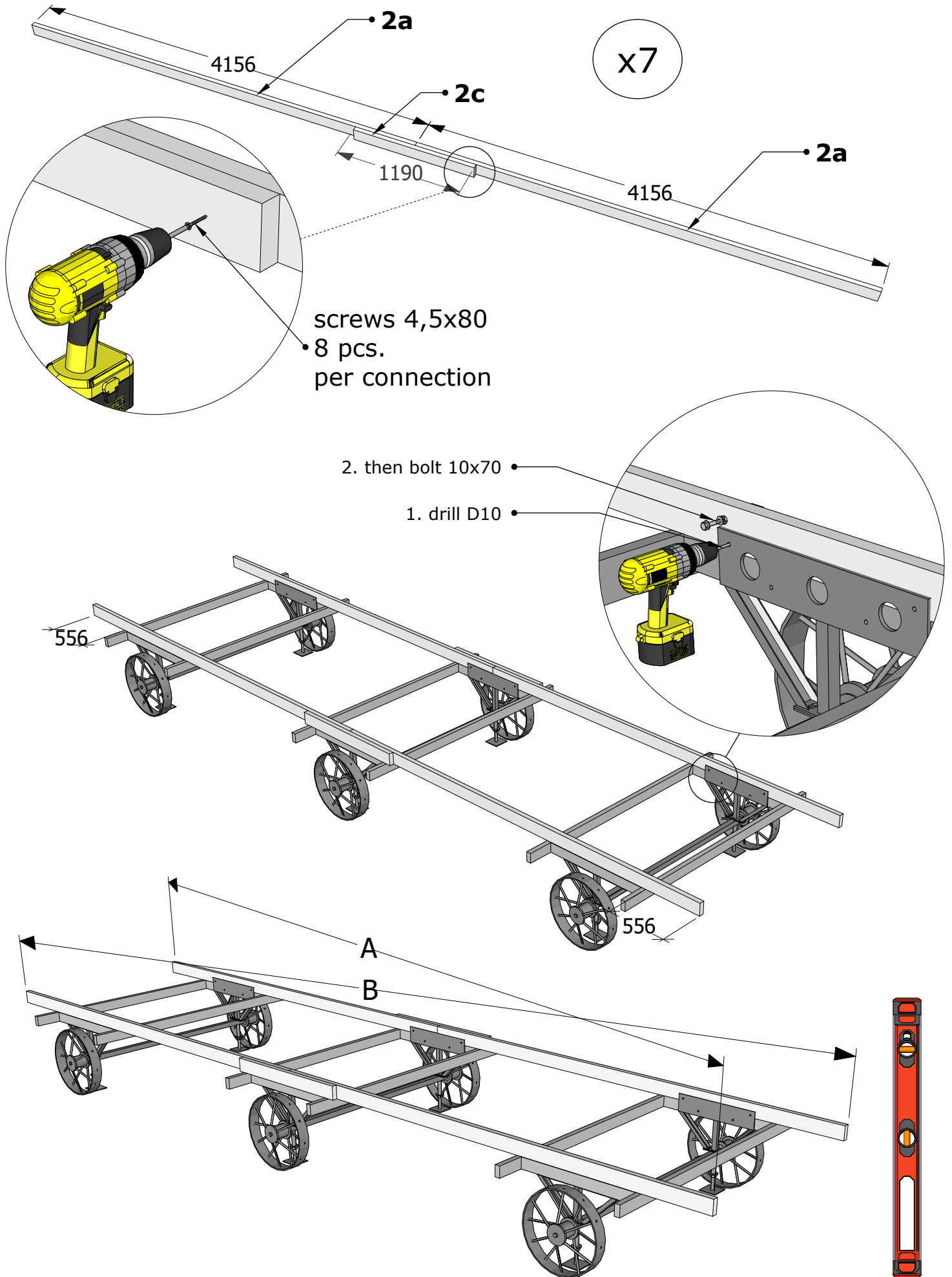
Metallic wheels assembly



Assembly instruction wagon XL Jimmy 720+120

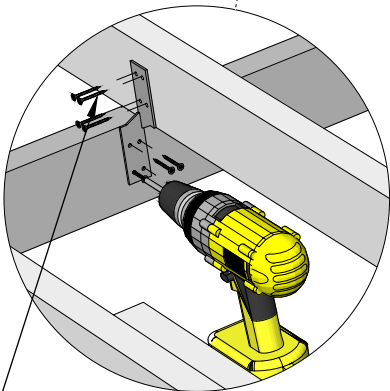
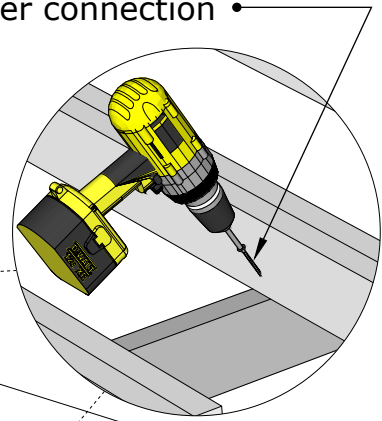
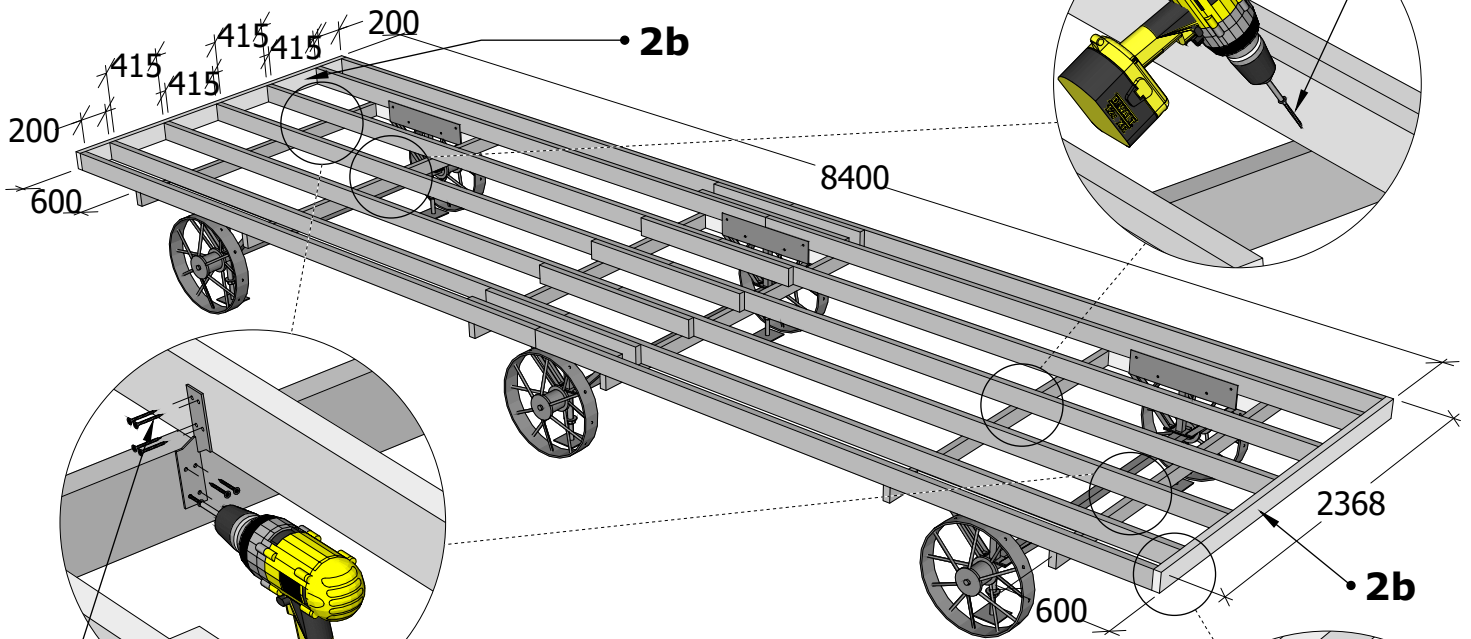


Assembly instruction wagon XL Jimmy 720+120



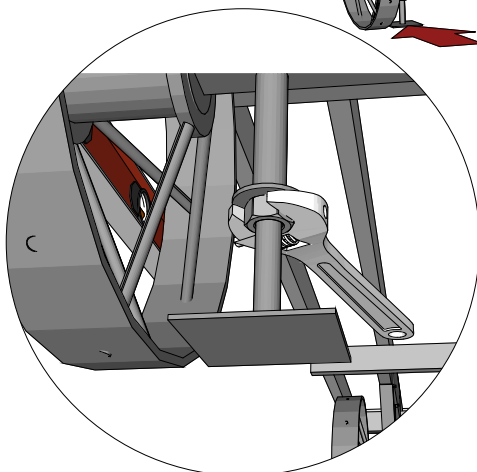
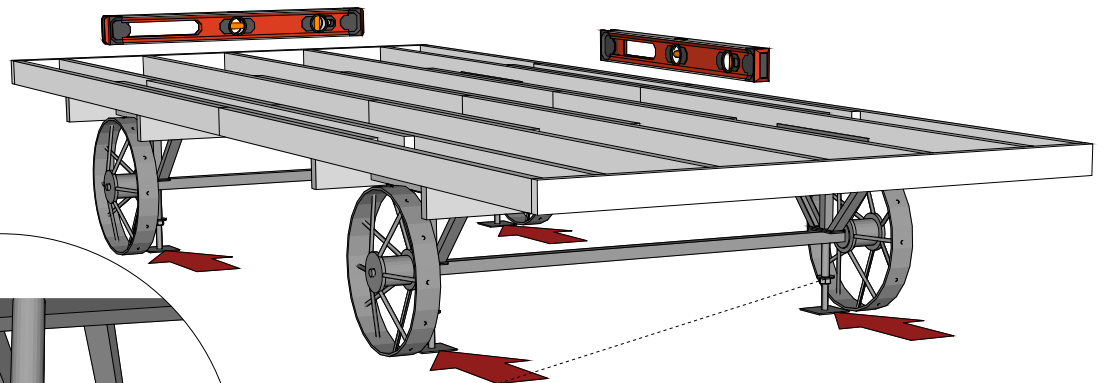
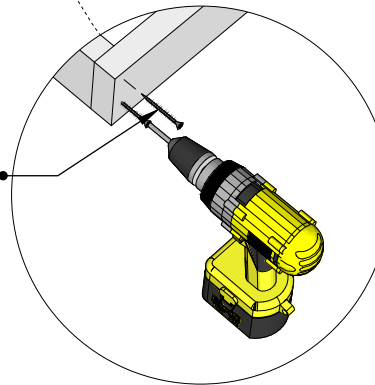
Assembly instruction wagon XL Jimmy 720+120

screws 4,5x80
1 pcs.
per connection

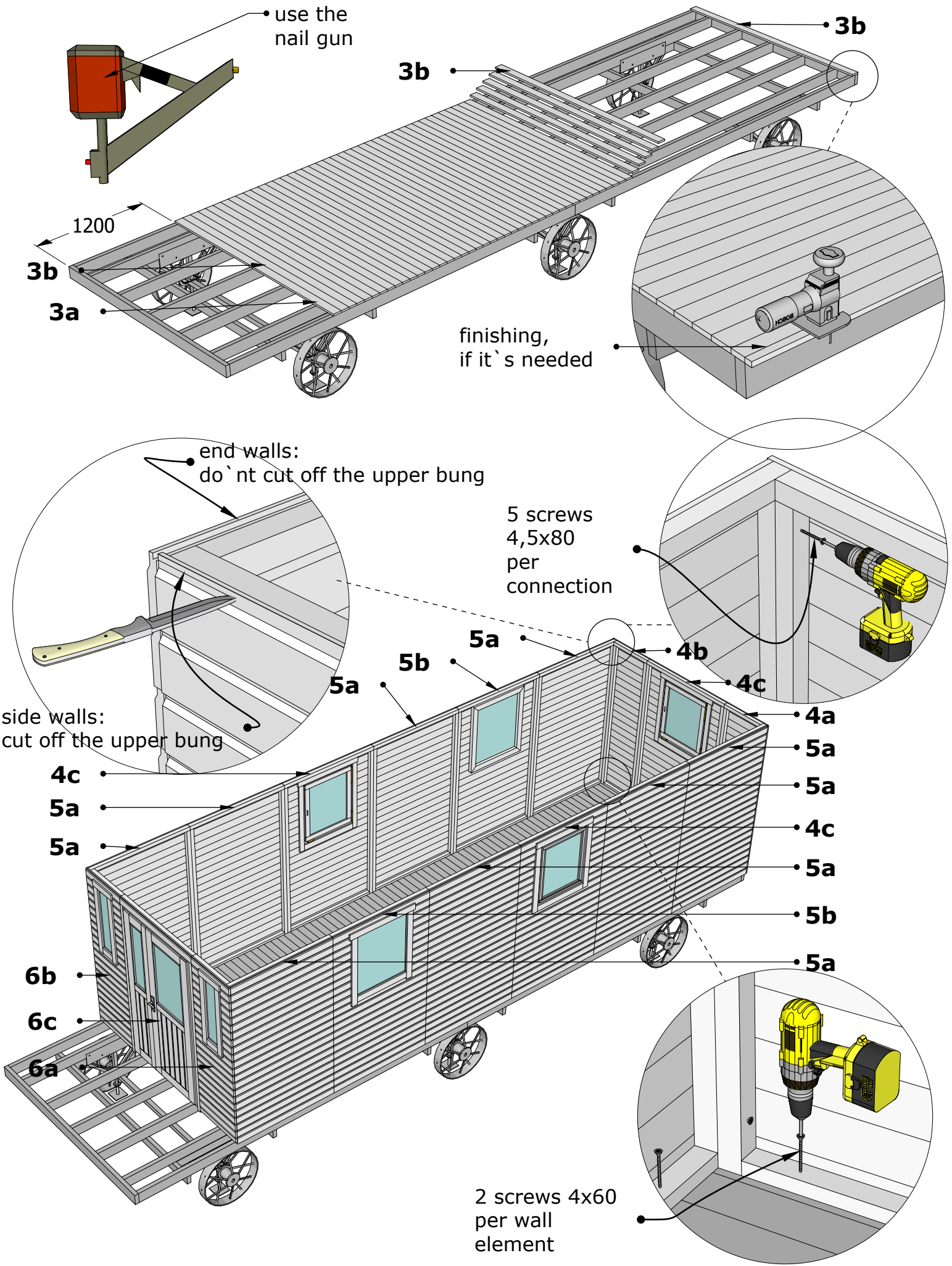


screws 3,5x40
8 pcs.
per connection

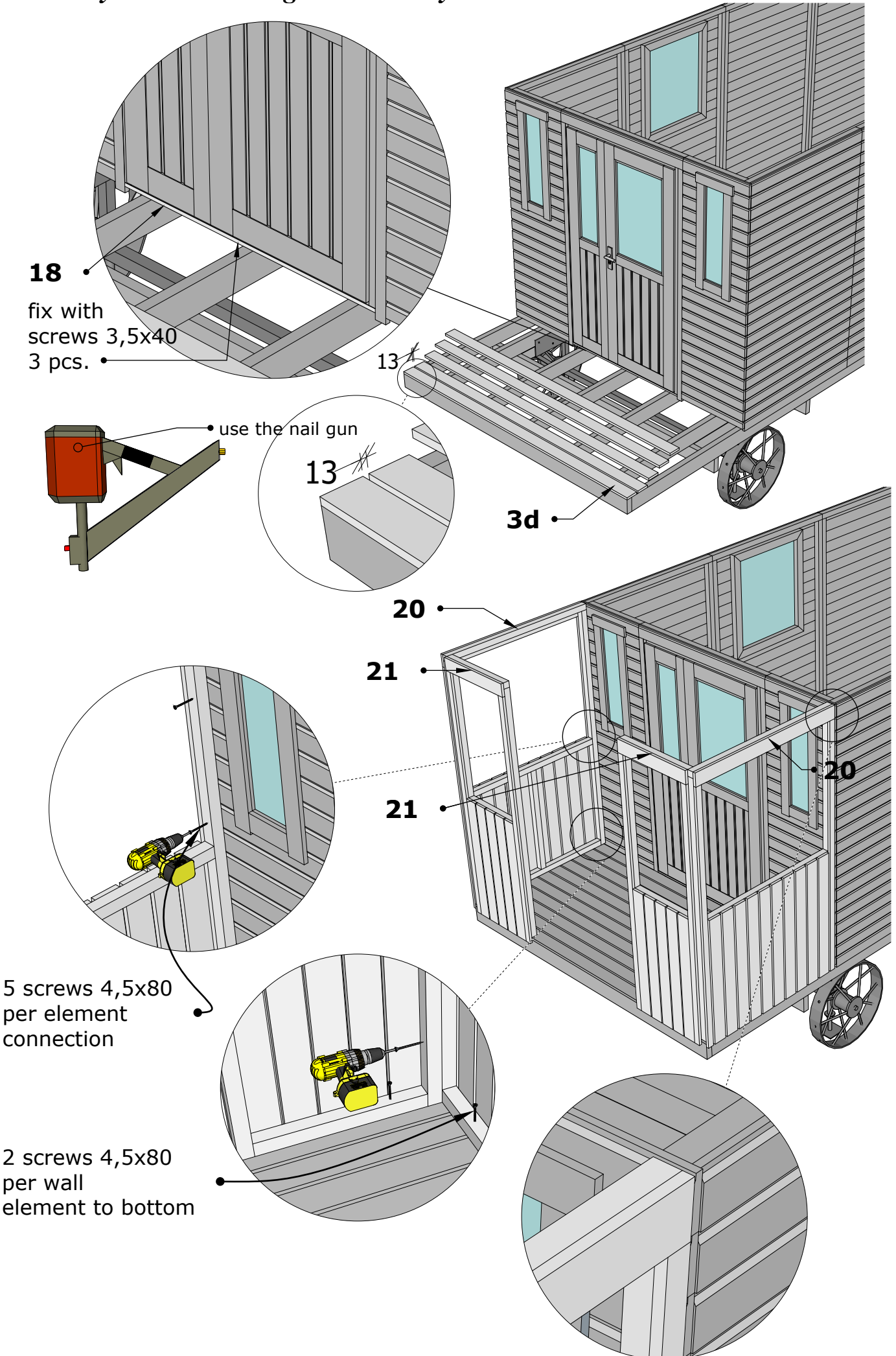
screws 4,5x80
2 pcs.
per connection



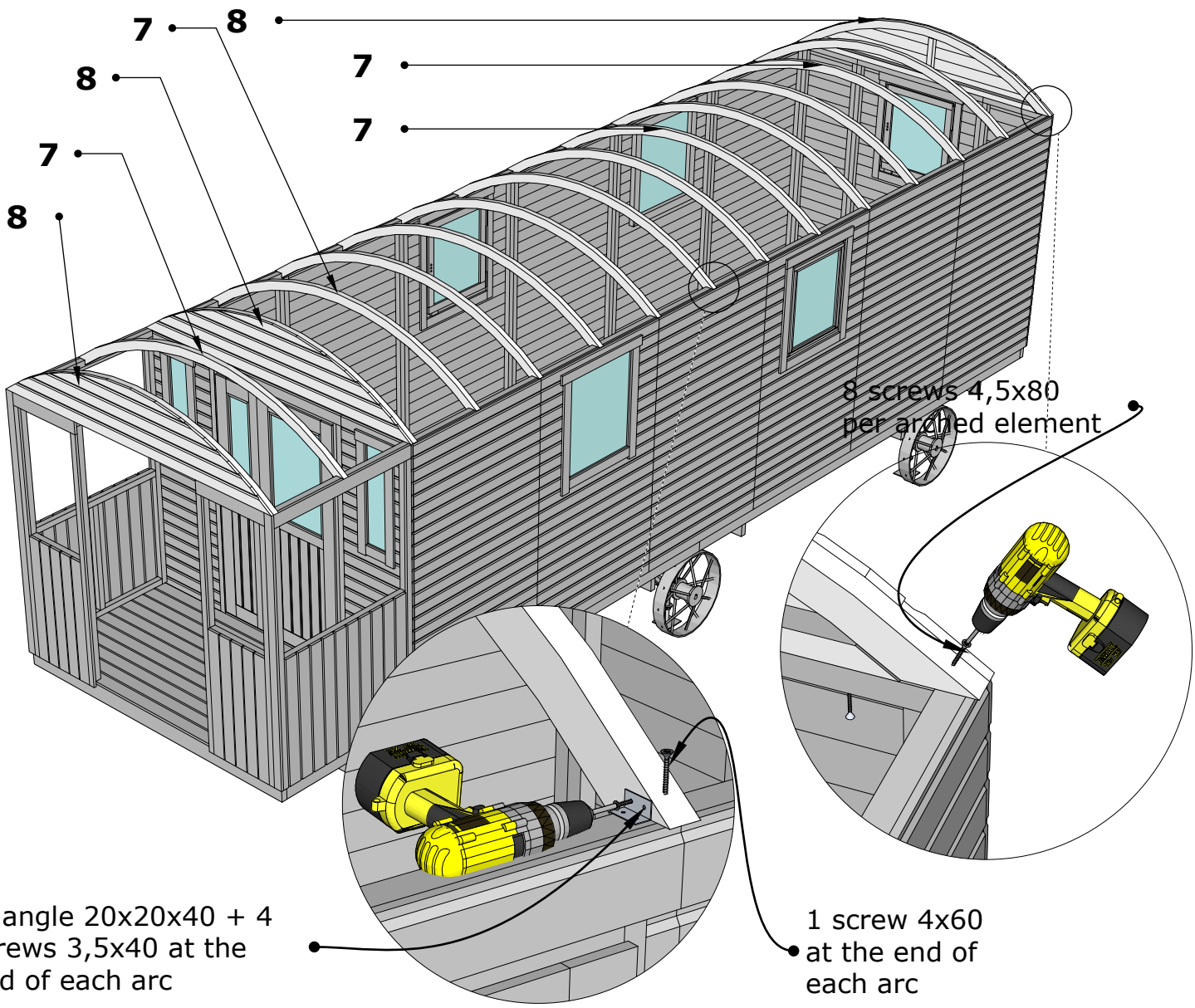
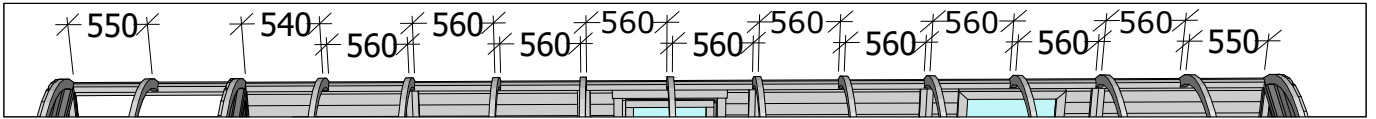
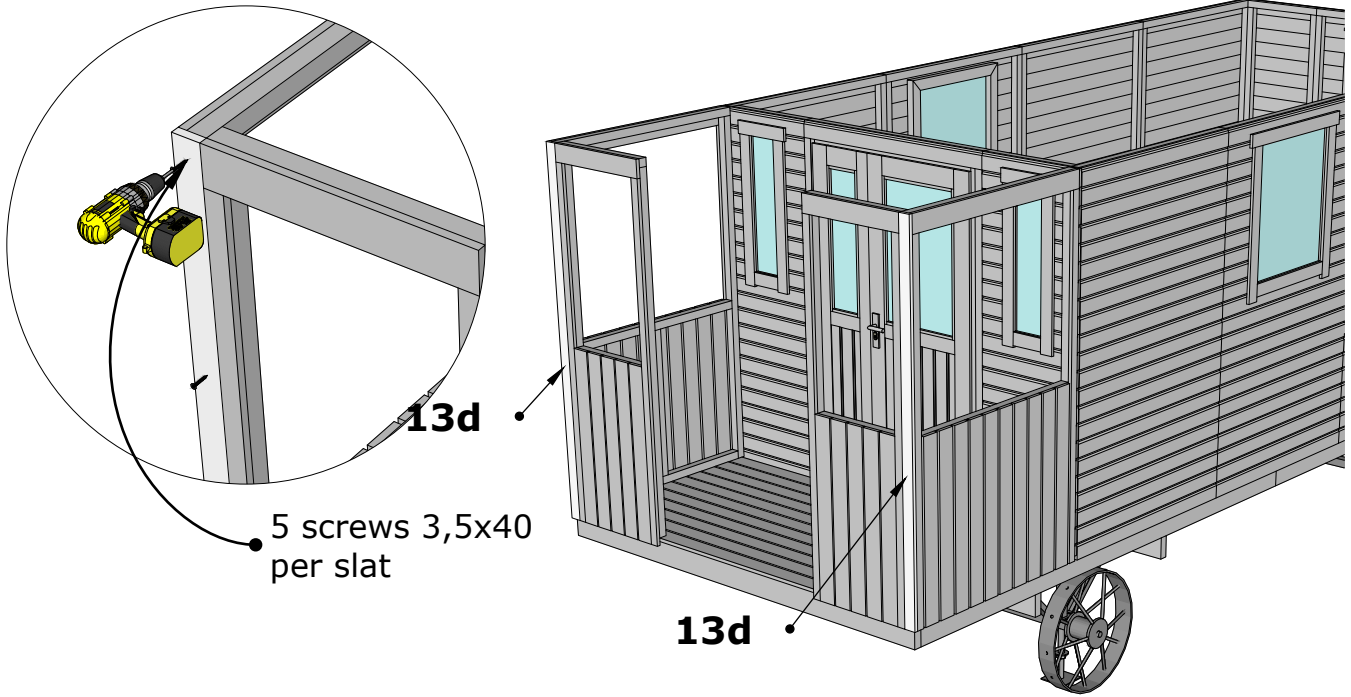
Assembly instruction wagon XL Jimmy 720+120



Assembly instruction wagon XL Jimmy 720+120

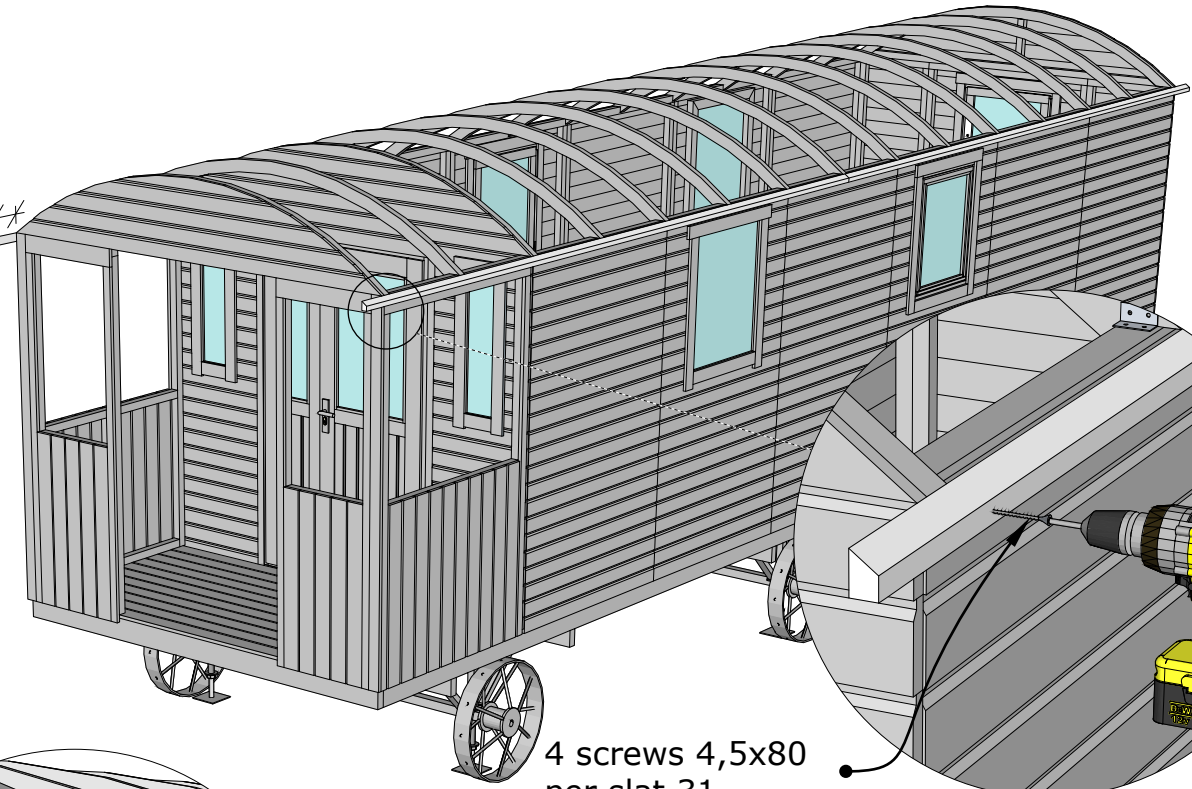


Assembly instruction wagon XL Jimmy 720+120

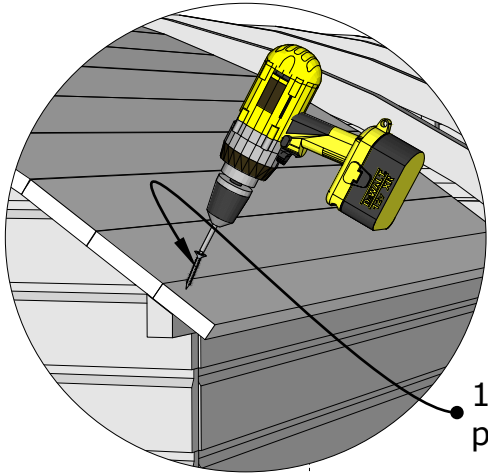


Assembly instruction wagon XL Jimmy 720+120

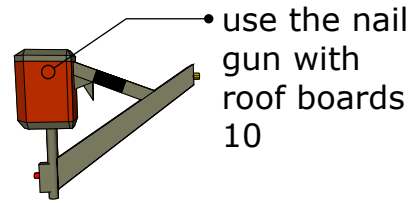
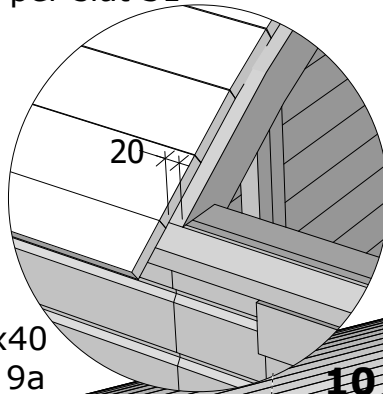
150



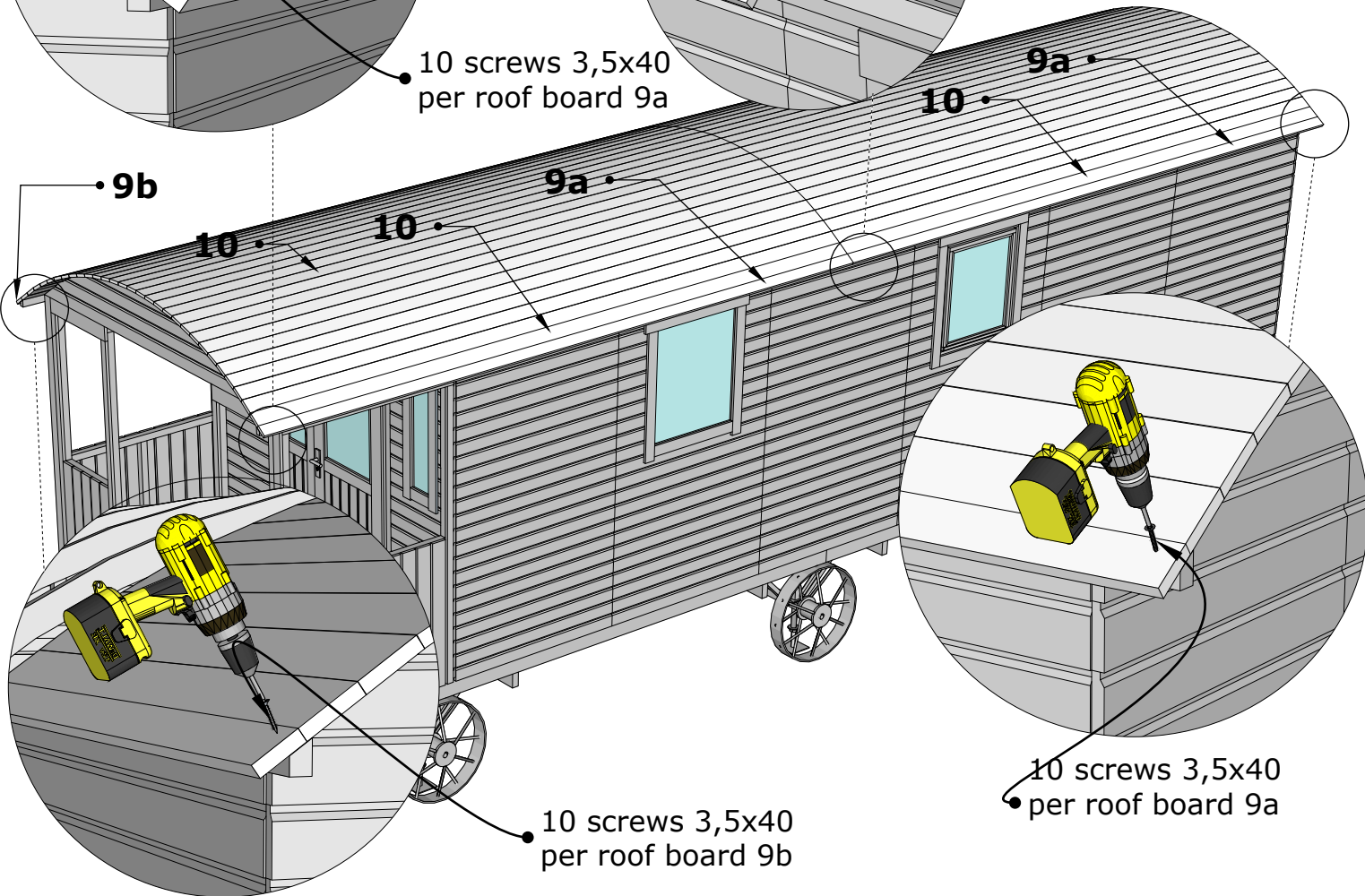
4 screws 4,5x80
per slat 31



10 screws 3,5x40
per roof board 9a



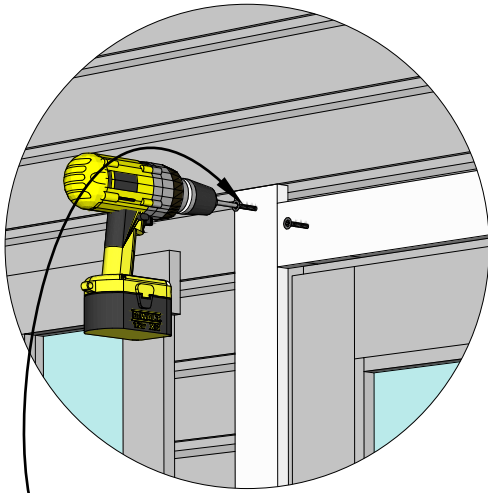
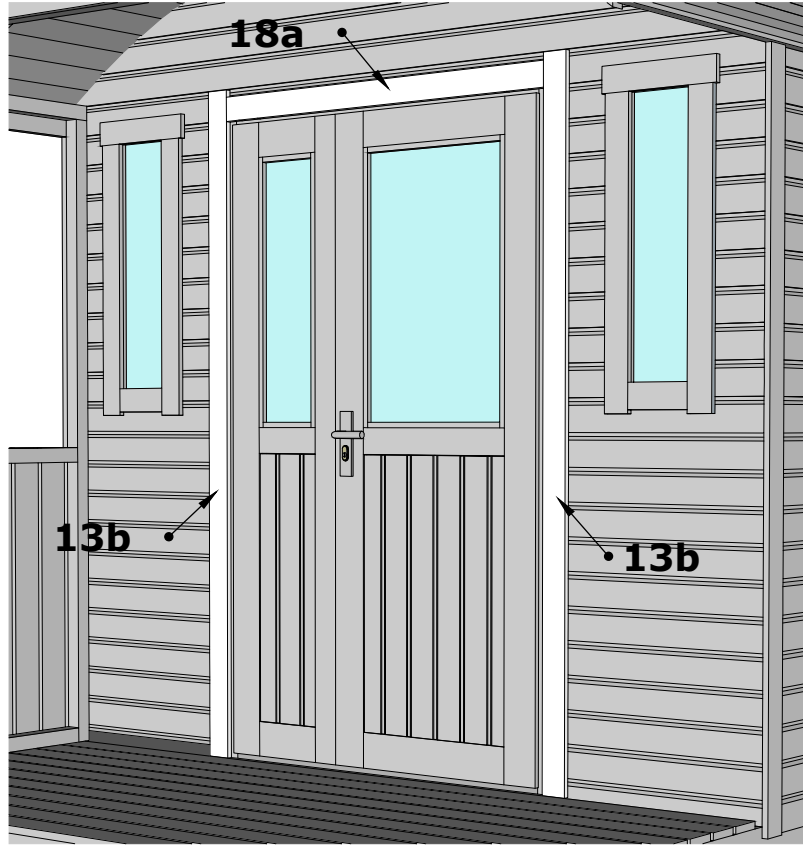
use the nail
gun with
roof boards
10



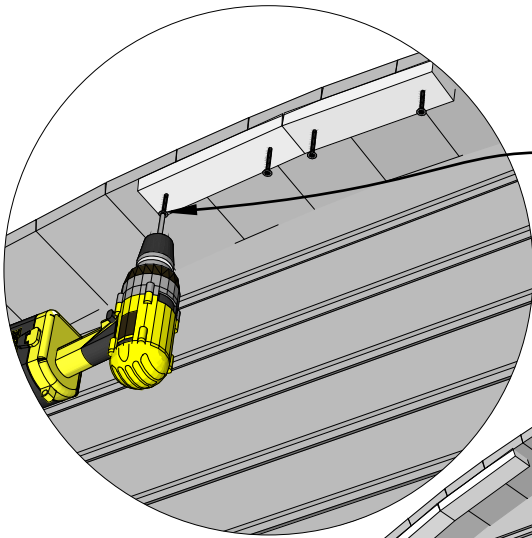
10 screws 3,5x40
per roof board 9a

10 screws 3,5x40
per roof board 9b

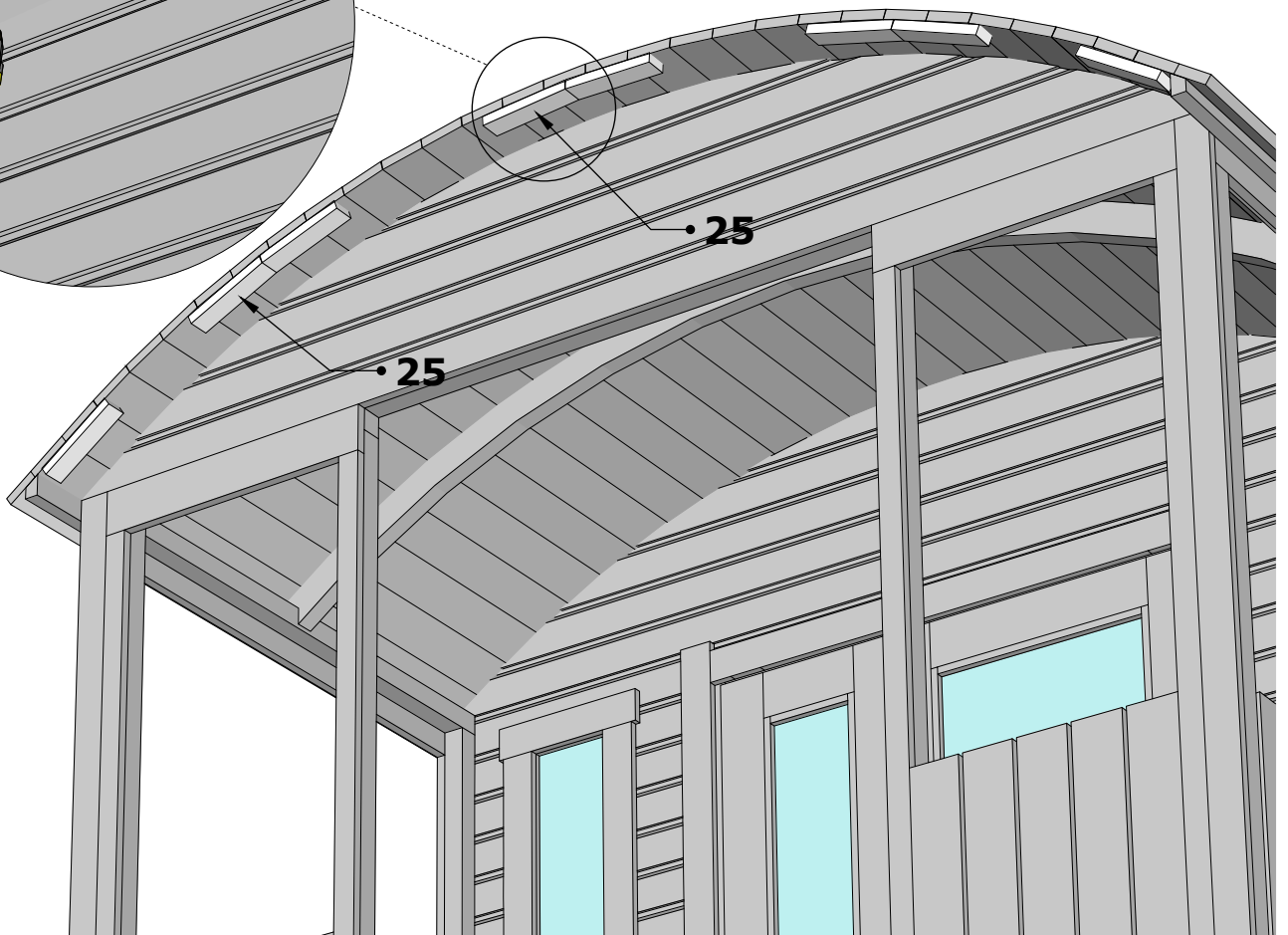
Assembly instruction wagon XL Jimmy 720+120



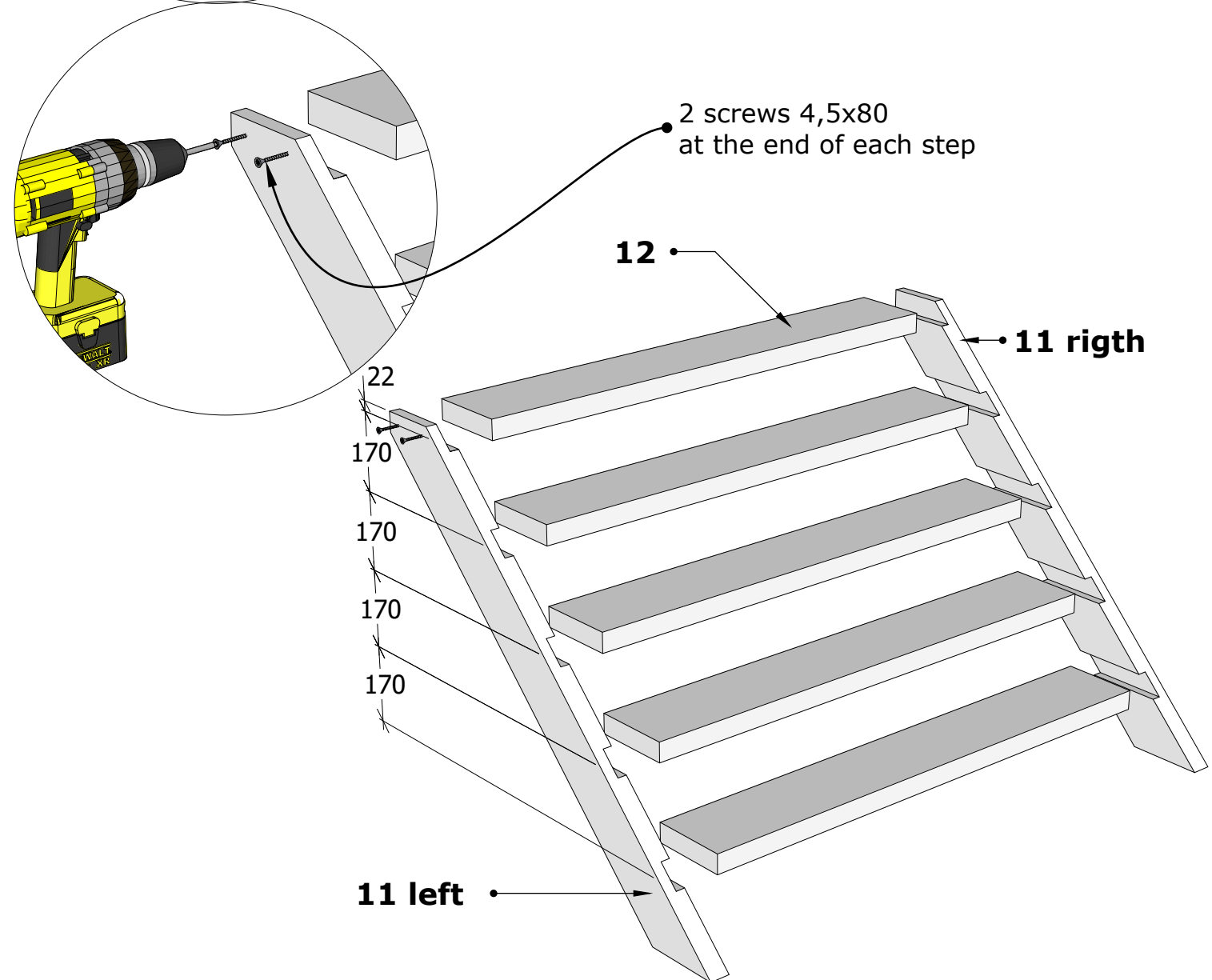
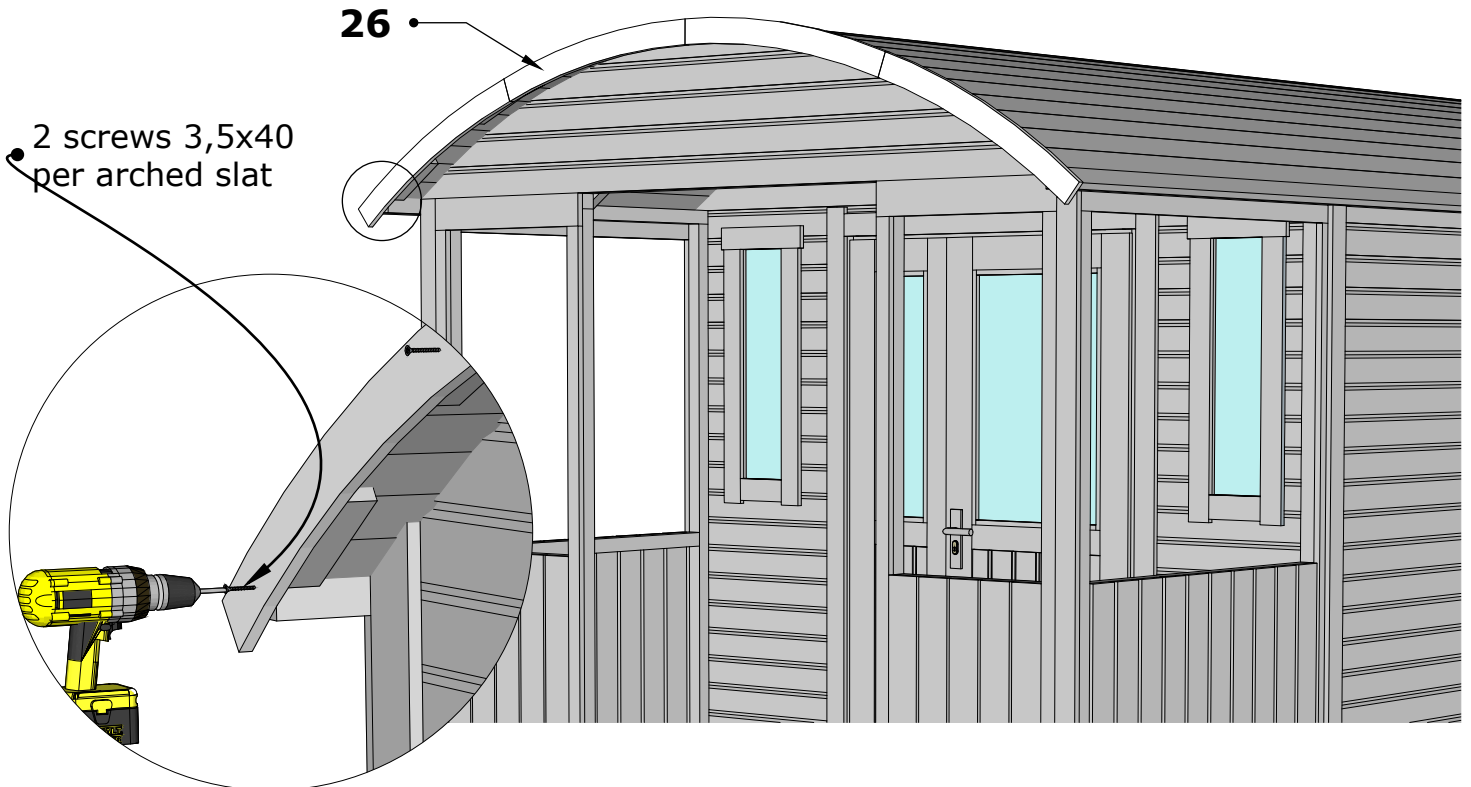
4 screws 3,5x40
per slat



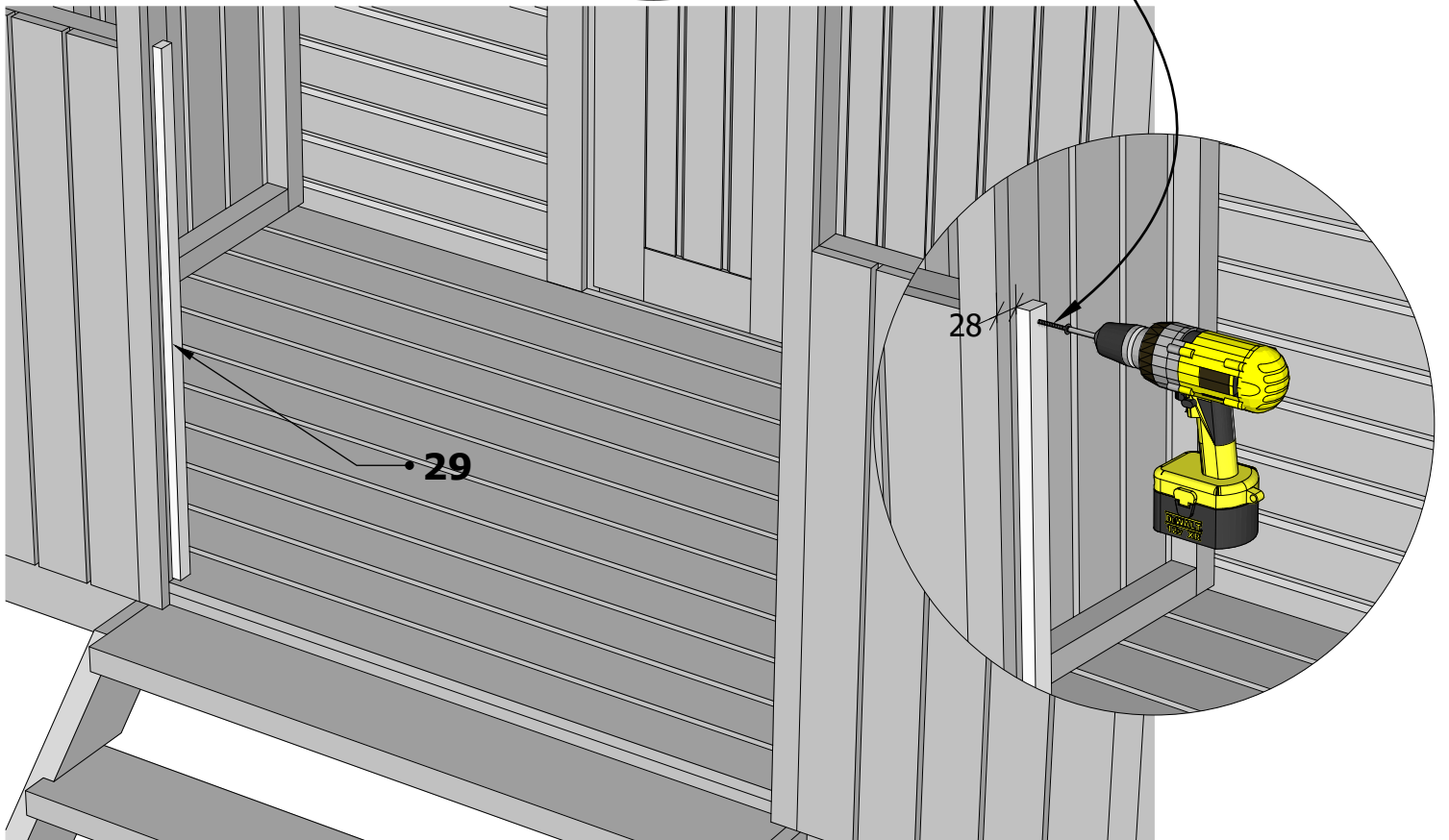
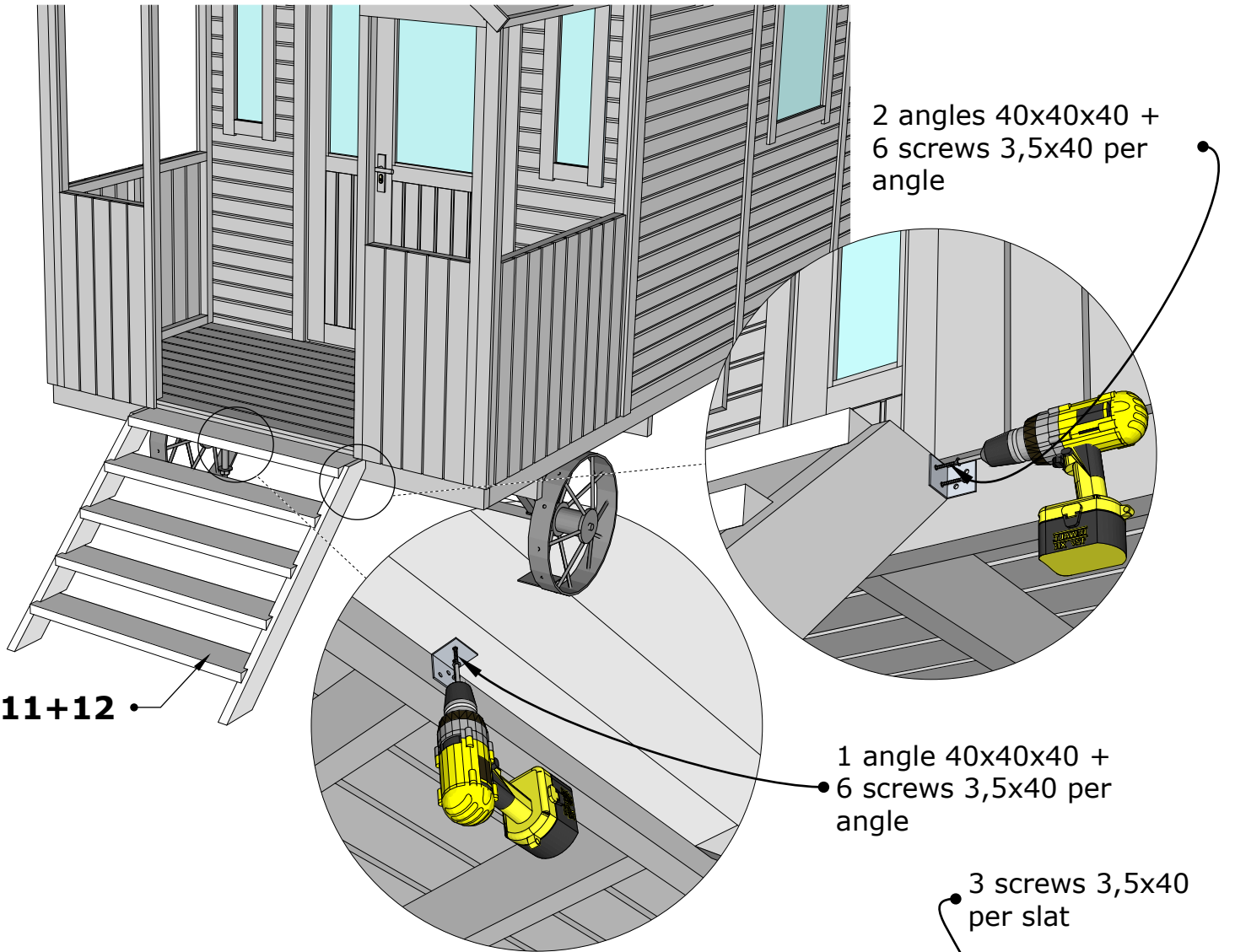
2 screws 3,5x3,5 per slat



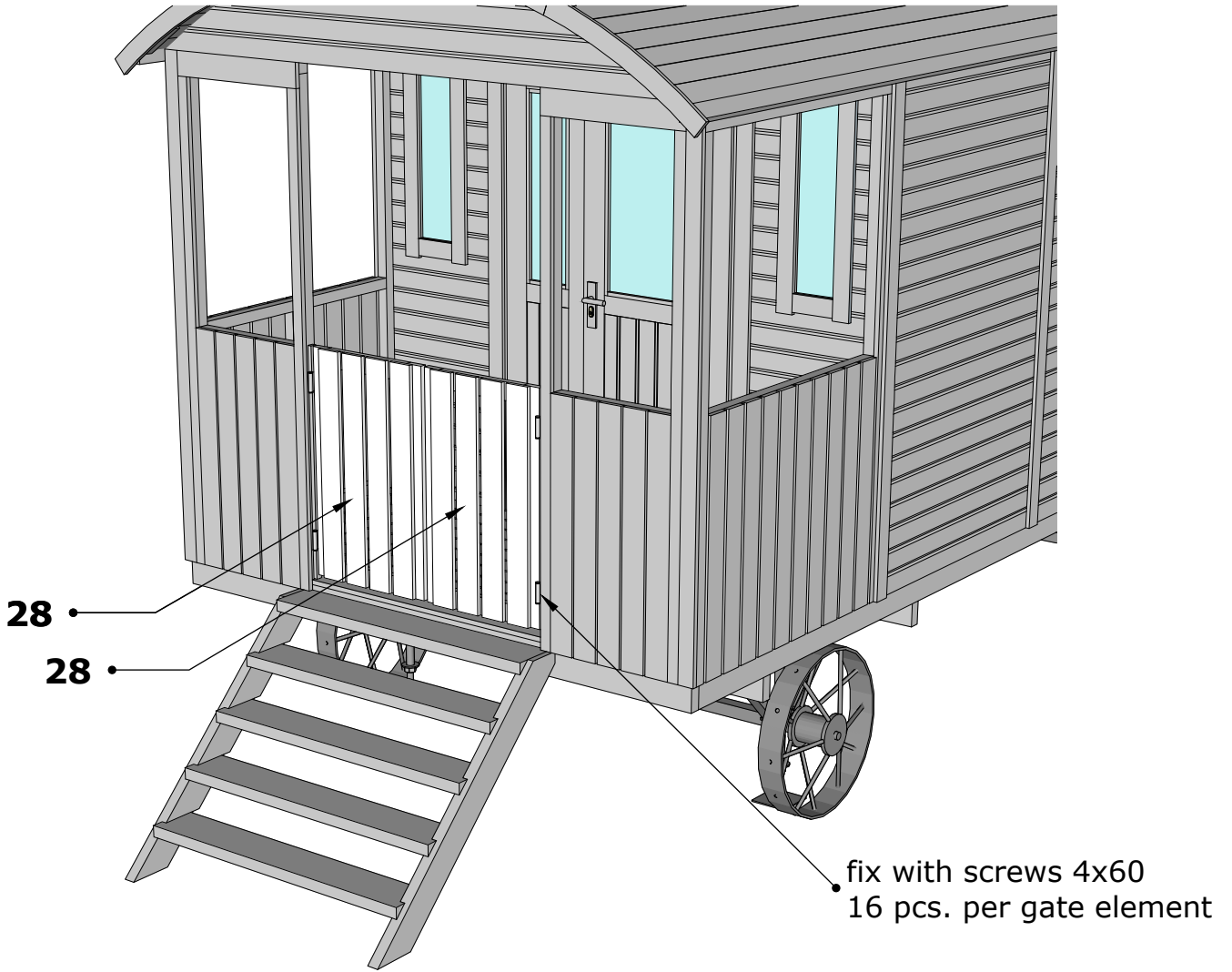
Assembly instruction wagon XL Jimmy 720+120



Assembly instruction wagon XL Jimmy 720+120



Assembly instruction wagon XL Jimmy 720+120



PRODUCT:
WIN-code:
Article:

Packing list	Page
GW Jimmy XL	1/2
XXXX - XX - XX	
40.0177	

element nr.	element's name	quantity	dimension (mm.)	specify
1a	bottom beam	6	44 x 94 x 2368	
1b	bottom beam	6	44 x 94 x 1000	
2a	bottom beam	14	44 x 120 x 4156	
2b	bottom beam	2	44 x 120 x 2368	
2c	bottom beam	7	44 x 120 x 1190	
3a	floorboard	1	19 x 90 x 2368	first
3b	floorboard	79	19 x 90 x 2368	
3d	veranda's floorboard	11	19 x 94 x 2368	
4a	end wall, right	1	600 x 1980	
4b	end wall, left	1	600 x 1980	
4c	window wall	3	1200 x 1980	open
5a	wall 1200	8	1200 x 1980	
5b	window wall	2	1200 x 1980	non open
6a	end wall, right with n.o.window	1	600 x 1955	
6b	end wall, left with n.o.window	1	600 x 1955	
6c	wall with installed door	1	1200 x 1980	
7	inner arch support	12	455 x 2406	
8	outer arch support, covered	3	2406 x 416	with panel
9a	roof board	2	19 x 70 x 4369	first/last
9b	roof board	2	19 x 70 x 4369	first/last
10	roof board	58	19 x 90 x 4369	
11	stairs side	1+1	44 x 120 x 1205	45° //
12	stairs tread	5	44 x 170 x 1152	
13a	end wall edge cover slat	2	16 x 94 x 2050	end 37°
13b	side wall cover slat	16	16 x 70 x 1936	
13c	end wall middle cover slat	2	16 x 70 x 2314	end 20°
13d	cover slat	2	19 x 63 x 1980	
18	slat under the doorway	1	15 x 19 x 1112	
18a	doorway's upper slat	1	16 x 70 x 1106	
20	veranda's element	2	1181 x 1980	
21	veranda's element	2	590 x 1980	
25	roof edge arc fixing brick	16	19 x 40 x 180	
26	roof edge arc	8	L = 710 mm.	arc-element
28	veranda's gate element	2	516 x 880	
29	veranda's gate slat	2	16 x 25 x 900	
31	the upper feather key	4	28 x 44 x 4369	edge 37°

fasteners set + assembly instruction
1 pair of wheels in package

Metal parts:

50	wagon wheel	6
51	wagon wheels washer	6
51a	wheel`s splint	6
52	wagon axle	3
53	adjustable support leg	6
54	adjustable leg`s nut M27	6
55a	bolt M10, L 70	20
55b	bolt M10, L 110	4
56	nut M10	24
57	washer M10	48