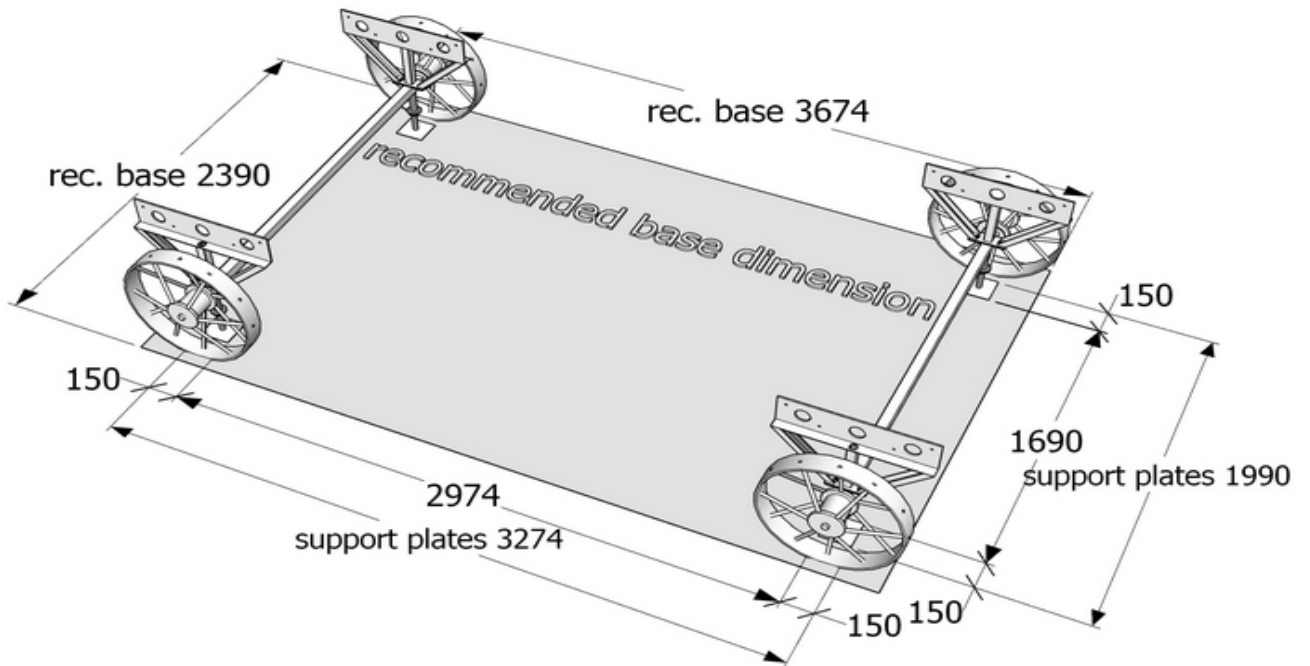
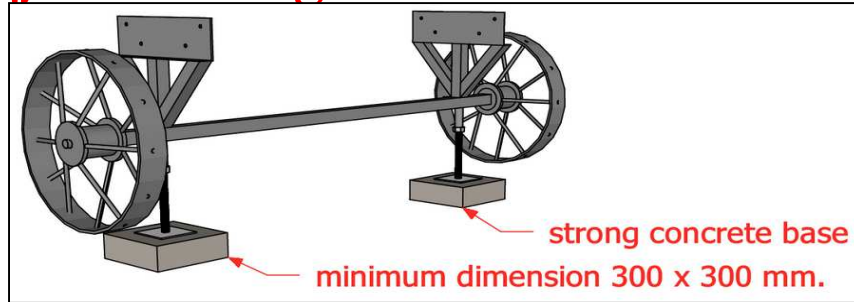


Wagon 2,4 x 6,0 m.

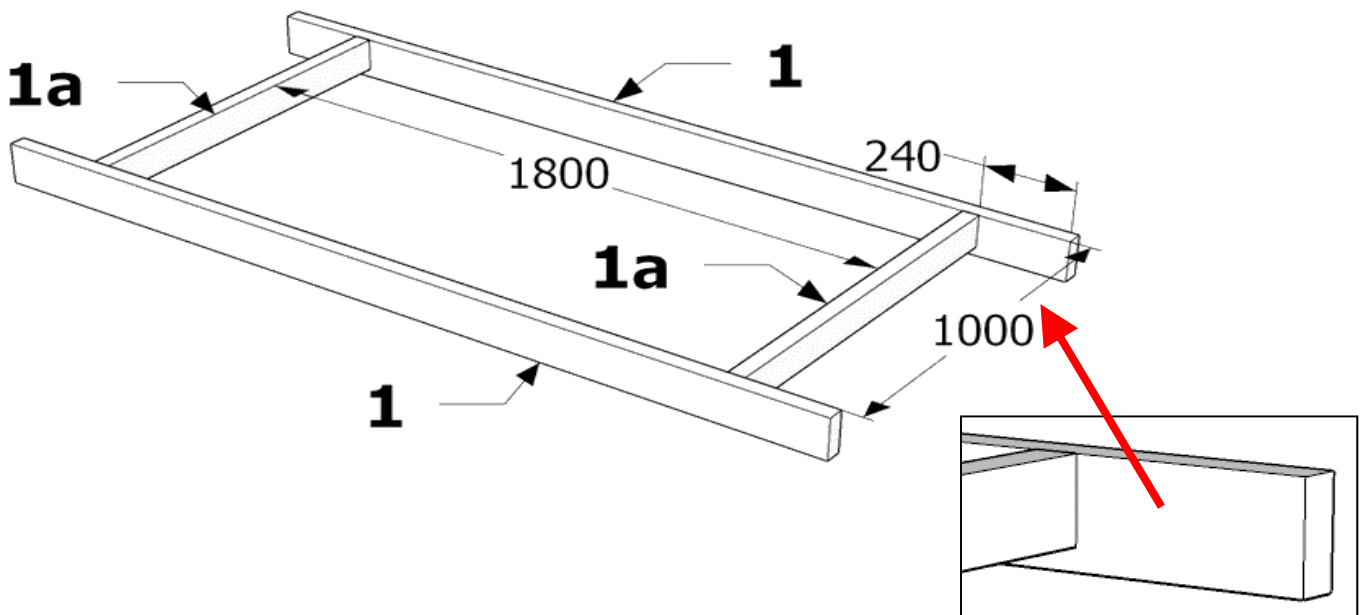
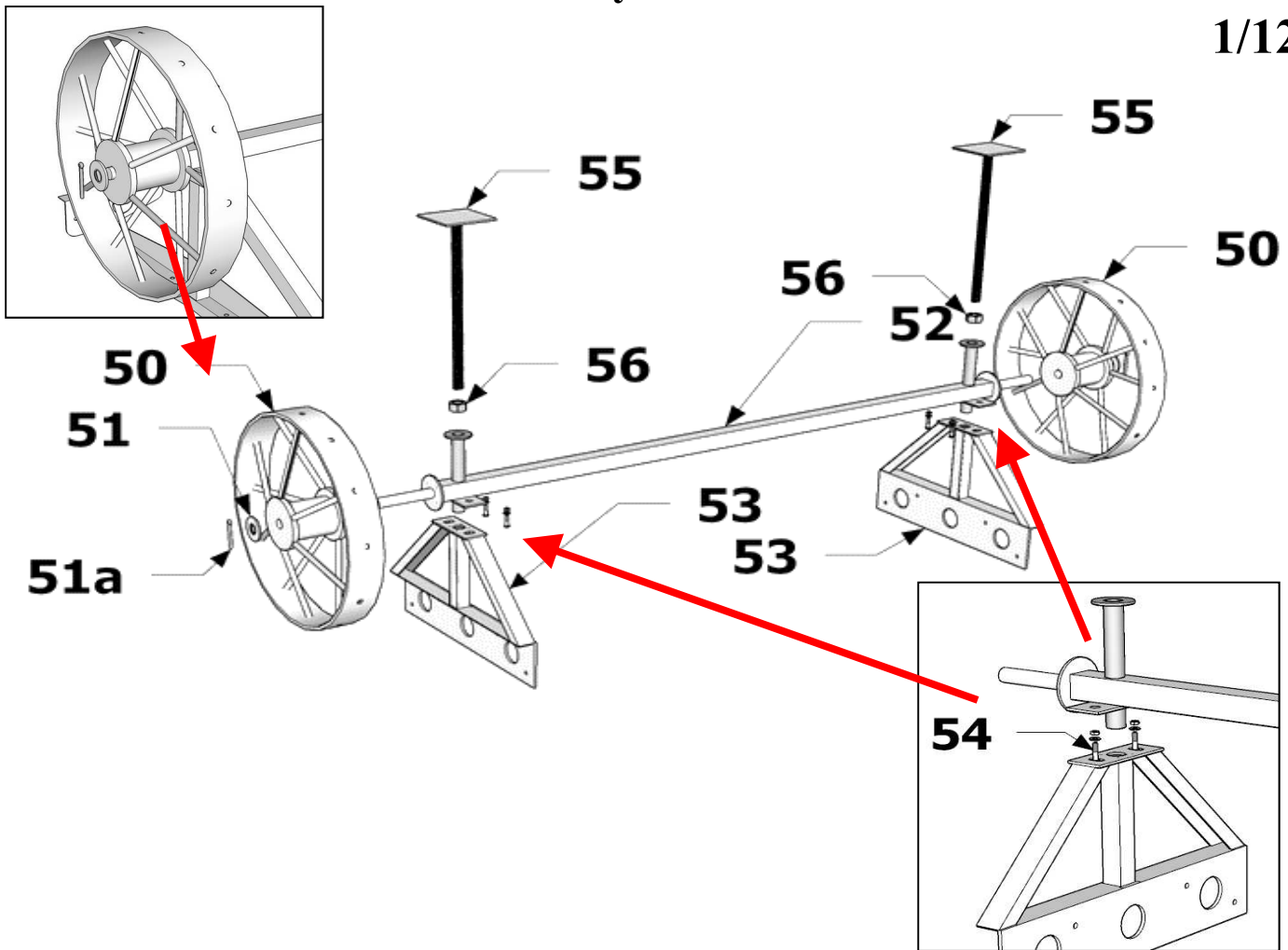
Assembly instruction

This wagon must be based on adjustable legs and is not moveable.



Wagon 2,4 x 6,0 m. Assembly instruction

1/12

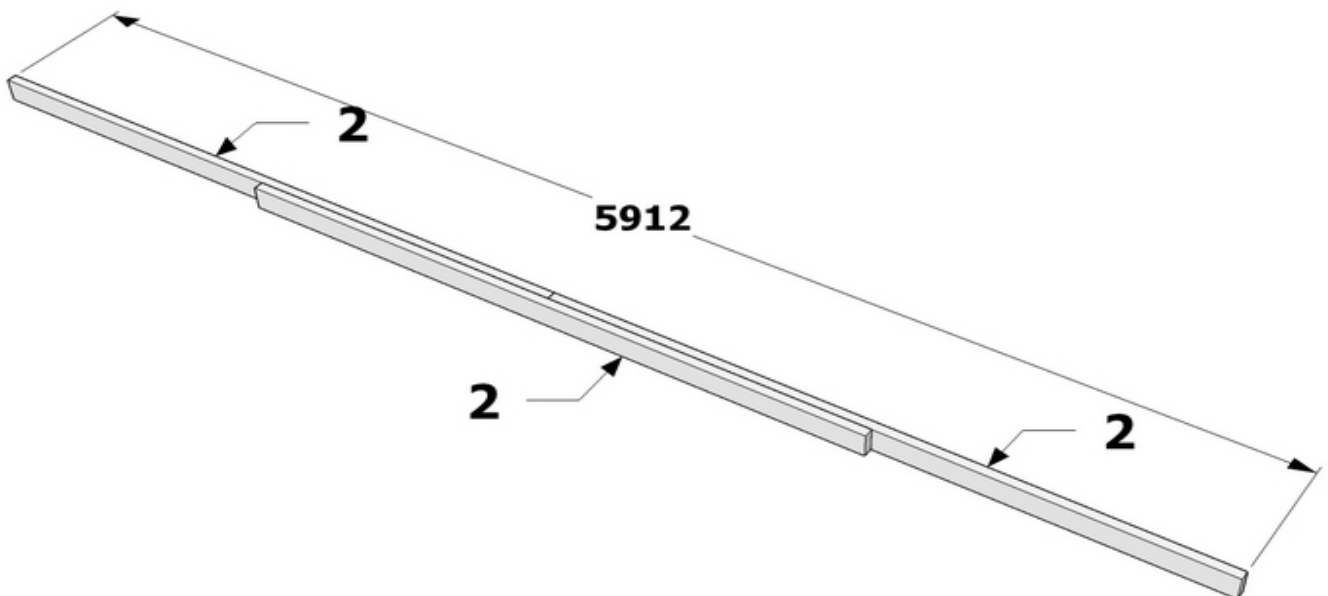
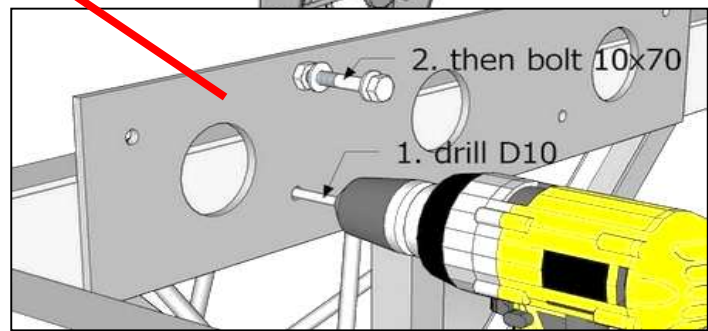
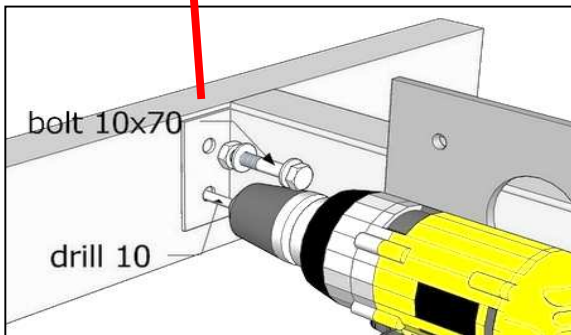
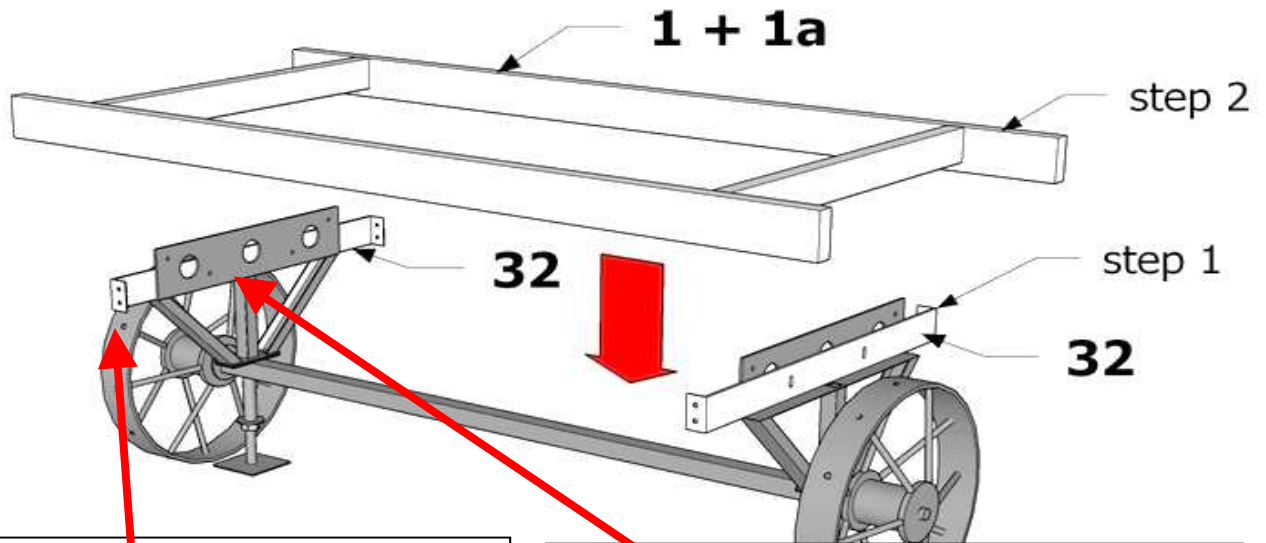


1 + **1a**

4,5 x 80	8
-----------------	----------

Wagon 2,4 x 6,0 m. Assembly instruction

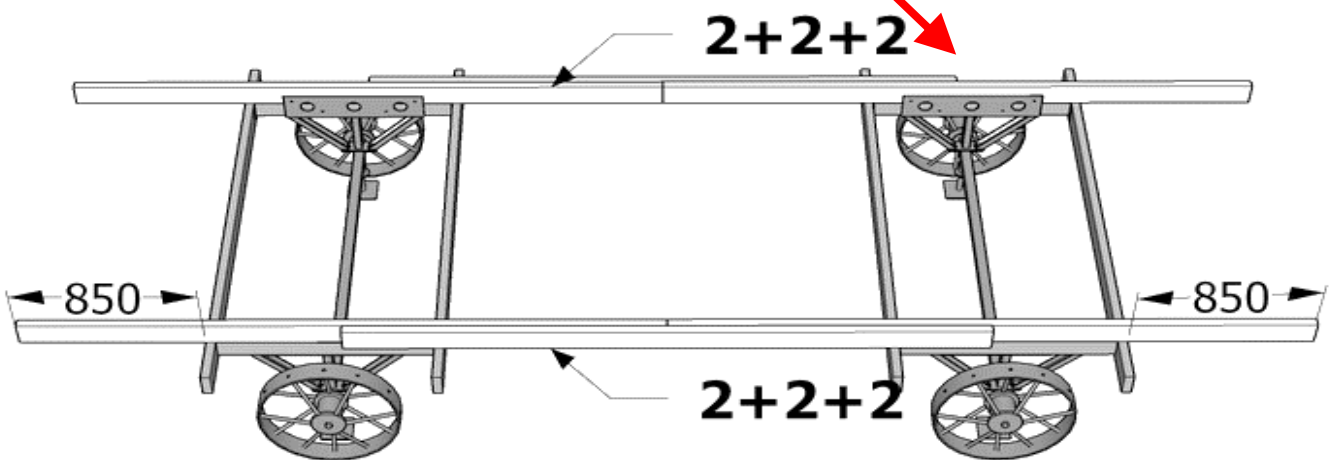
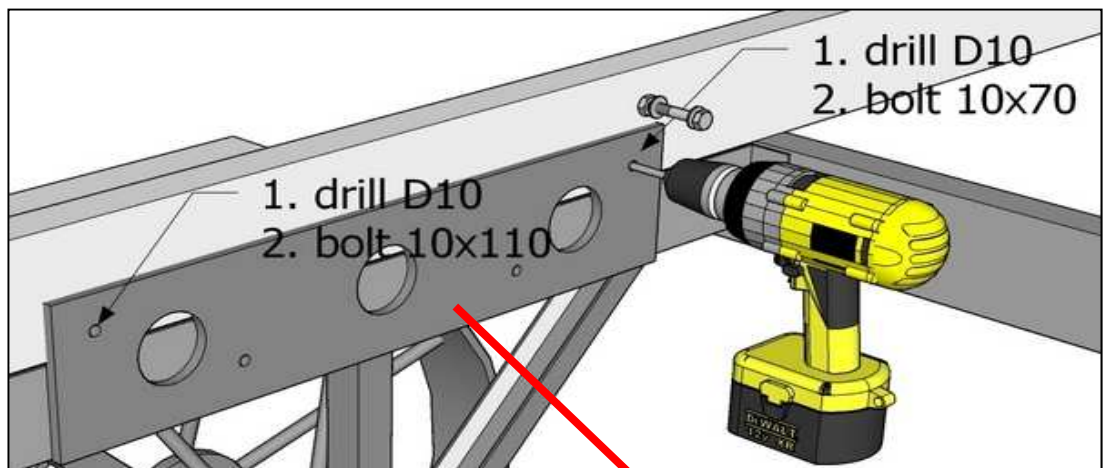
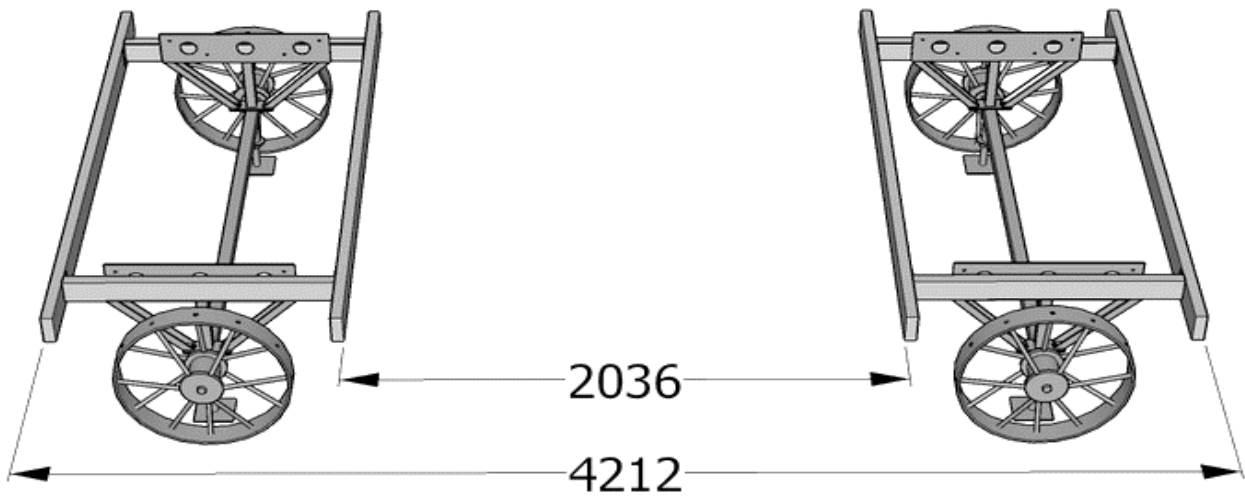
2/12



2 + **2** + **2**

4,5 x 80	84
-----------------	-----------

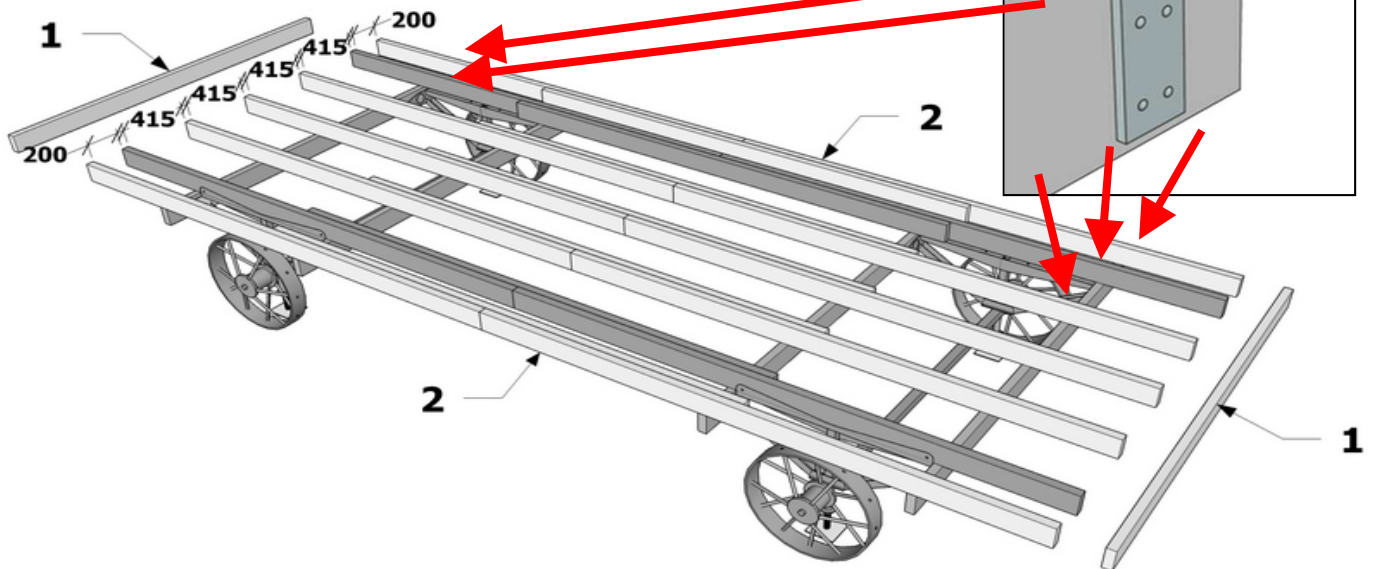
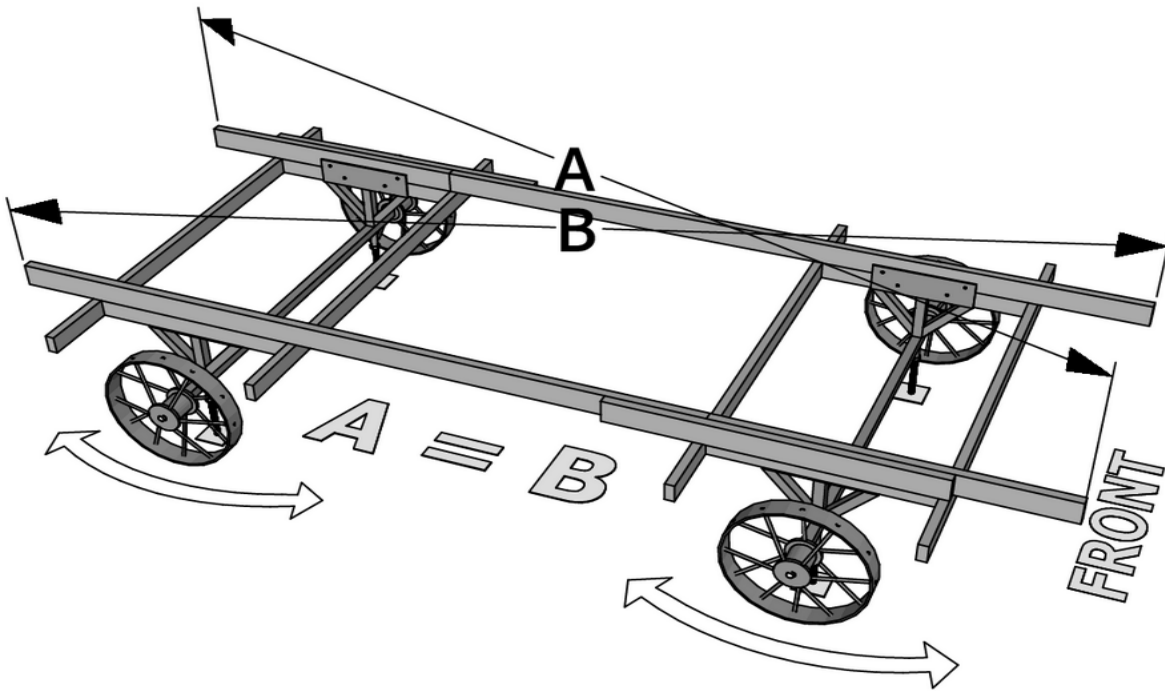
Wagon 2,4 x 6,0 m. Assembly instruction



2	+	base	bolt 10 x 70	4
			bolt 10 x 110	4

Wagon 2,4 x 6,0 m. Assembly instruction

4/12

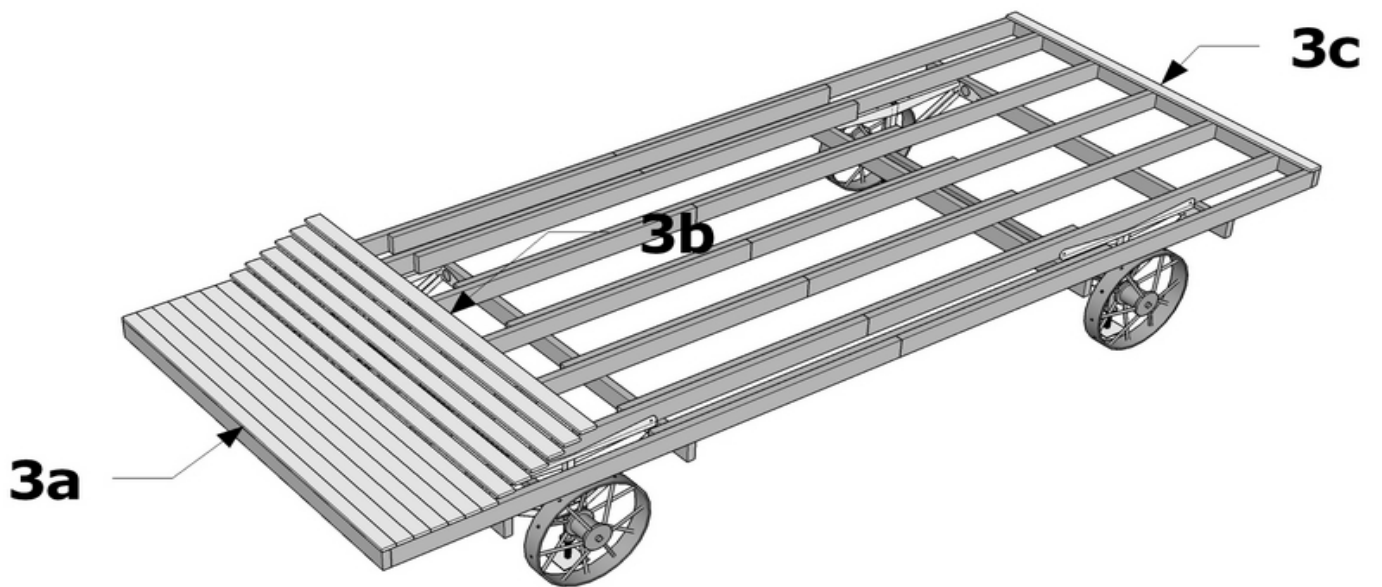
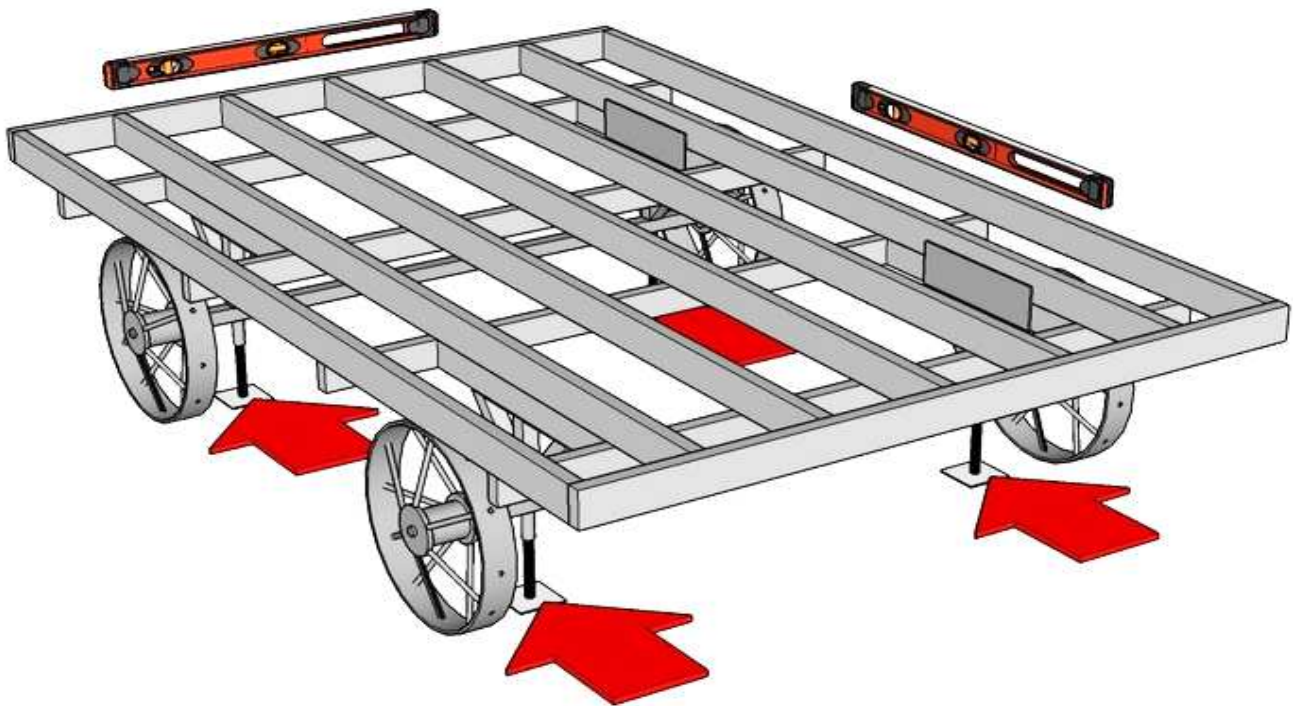


+ **2** + **(lower) 1**
+ **1**

4,5 x 80	10
3,5 x 40	112
support plate	14
4,5 x 80	28

Wagon 2,4 x 6,0 m. Assembly instruction

5/12

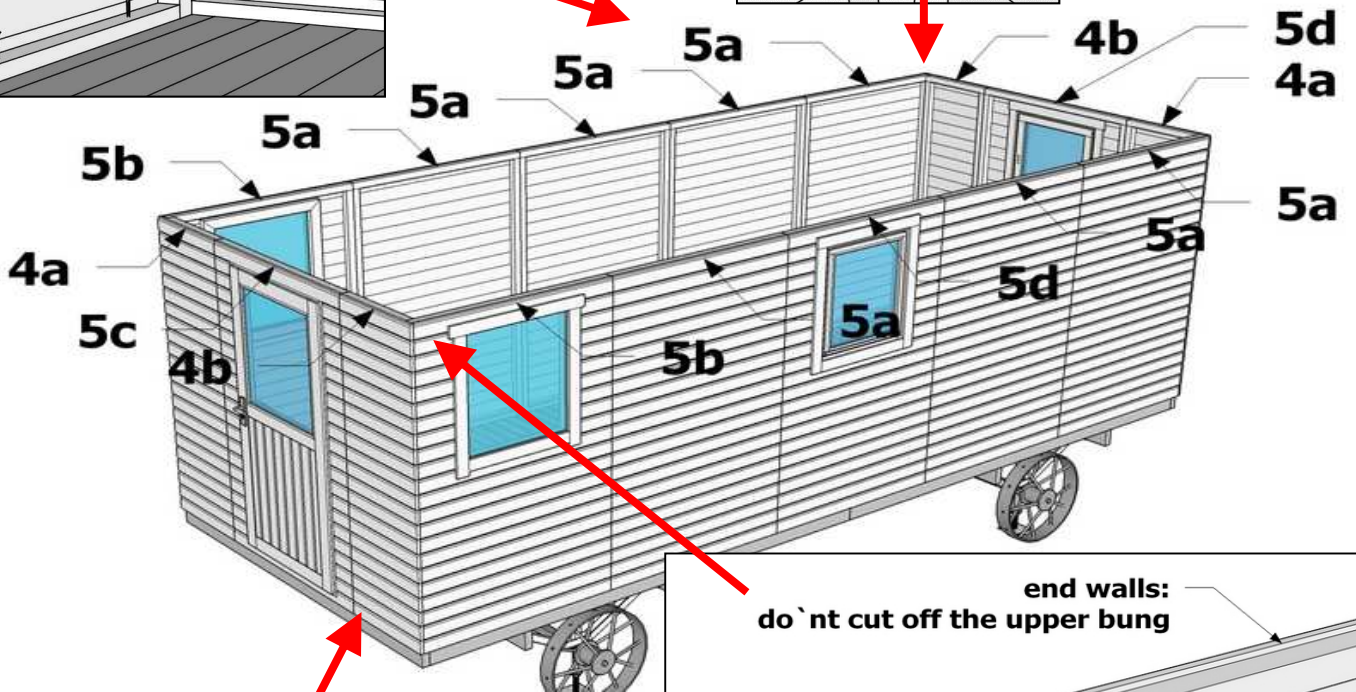
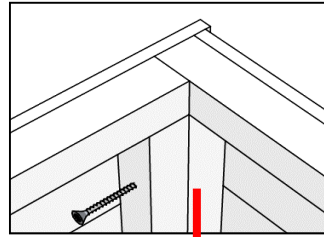
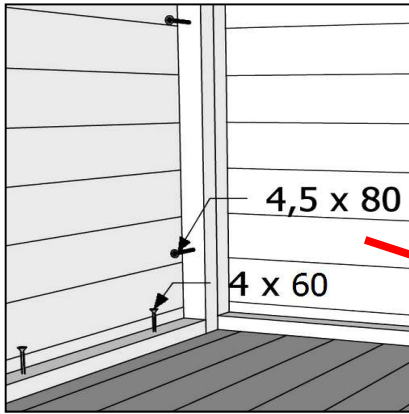


3a + **3b** + **3c**

nail 2 x 50	483
-------------	-----

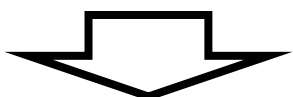
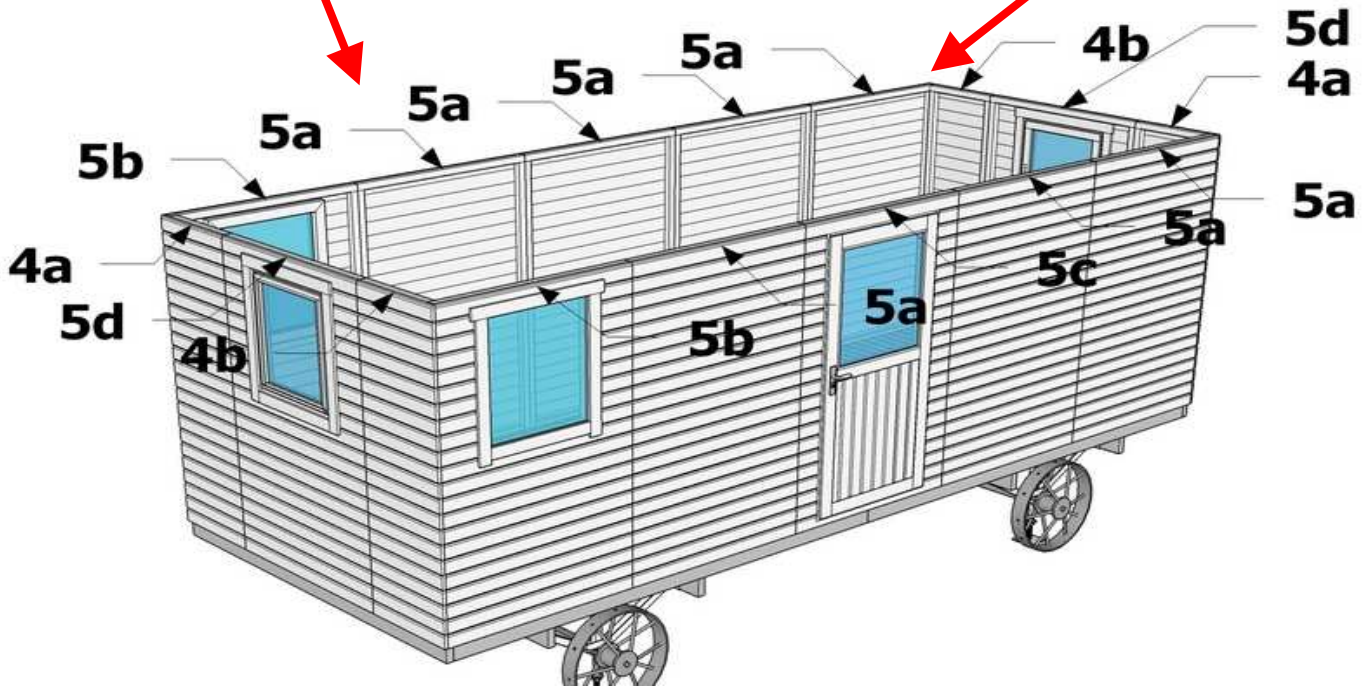
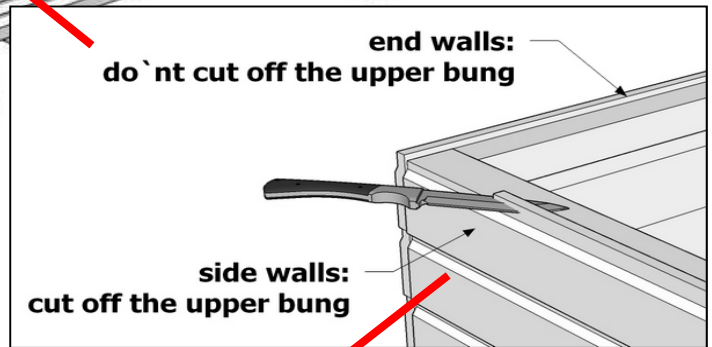
Wagon 2,4 x 6,0 m. Assembly instruction

6/12

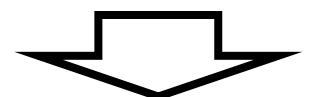


You can compile walls of the wagon so ...

... or so

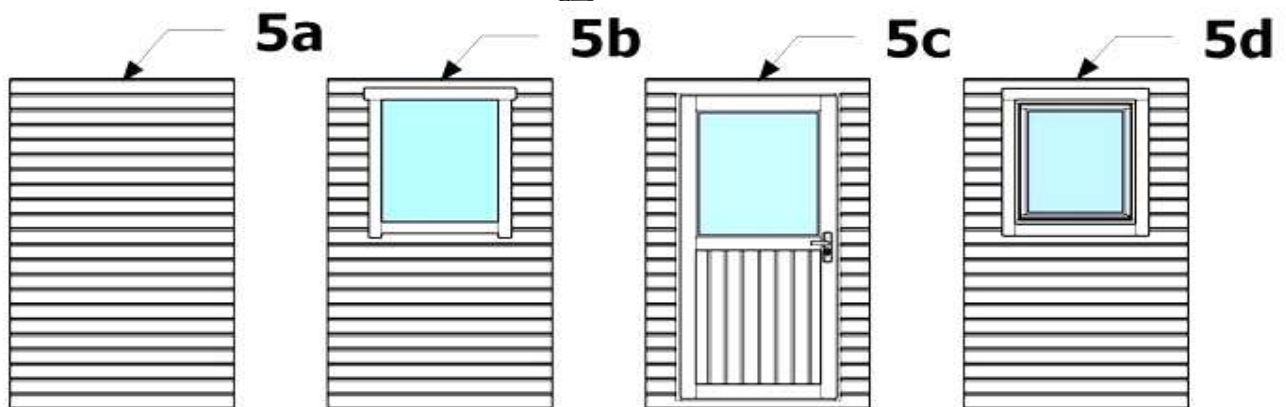
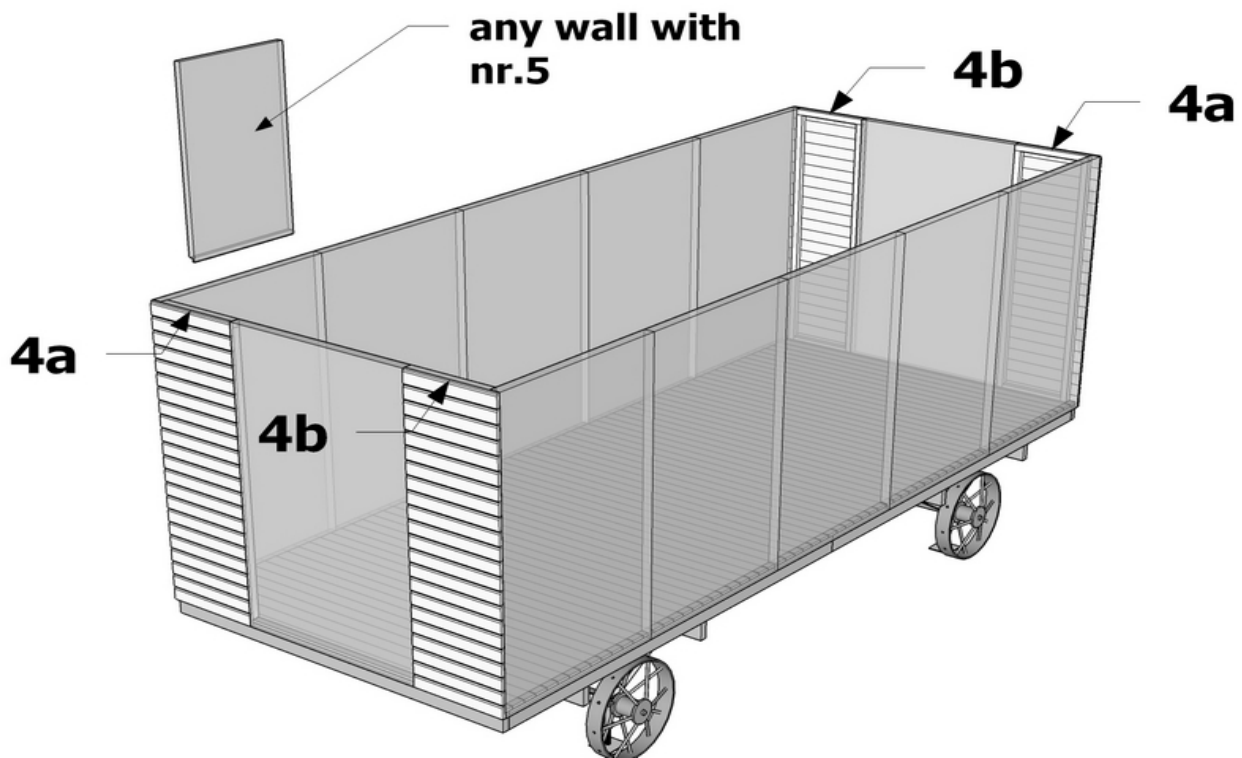


**NB ! Please, read explanations
at next page!**



Wagon 2,4 x 6,0 m. Assembly instruction

7/12

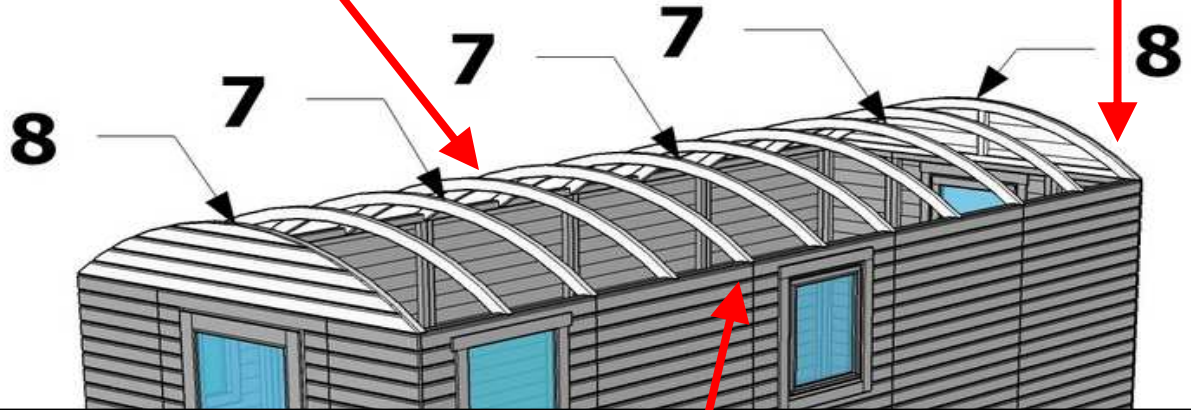
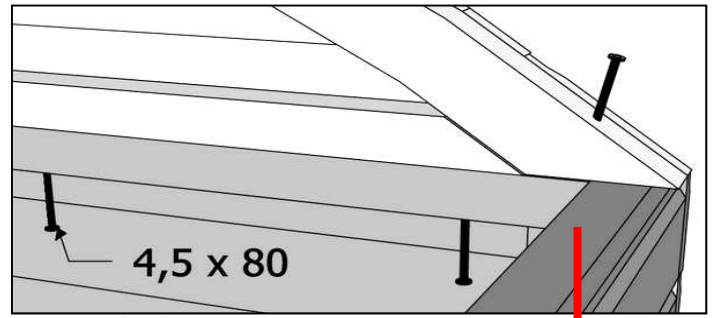
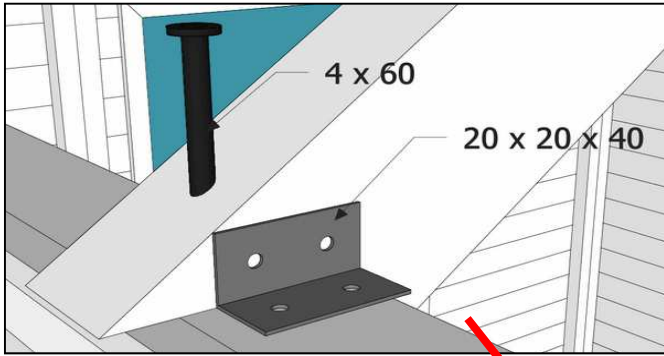


You can place the walls nr. 5 anywhere You like, excl. walls nr. 4a and 4b

All following instructions be in effect regardless of the position walls No. 5

4a	+	5...	+	4b	+	5...	4,5 x 80	64
5...	+	5...	+	5...	+	5...		
4a	+	5...	+	4b	+	5...		
5...	+	5...	+	5...	+	5...		
4a	5...	4b	5...	5...	5...	5...	4 x 60	32
5...	4a	5...	4b	5...	5...	5...	+ base

Wagon 2,4 x 6,0 m. Assembly instruction

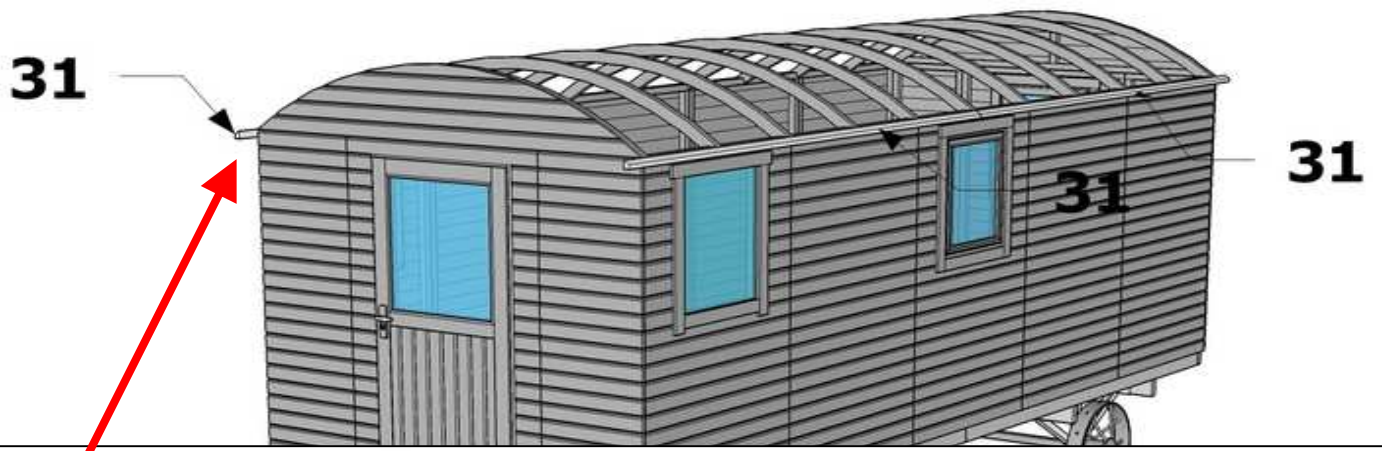


+ **7**

4 x 60	18
20x20x40	18
3,5 x 40	72

+ **8**

4,5 x 80	16
----------	----

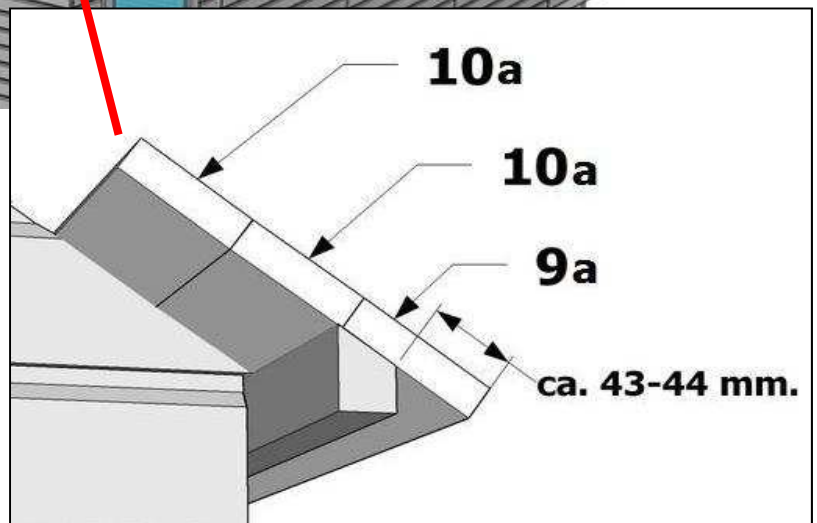
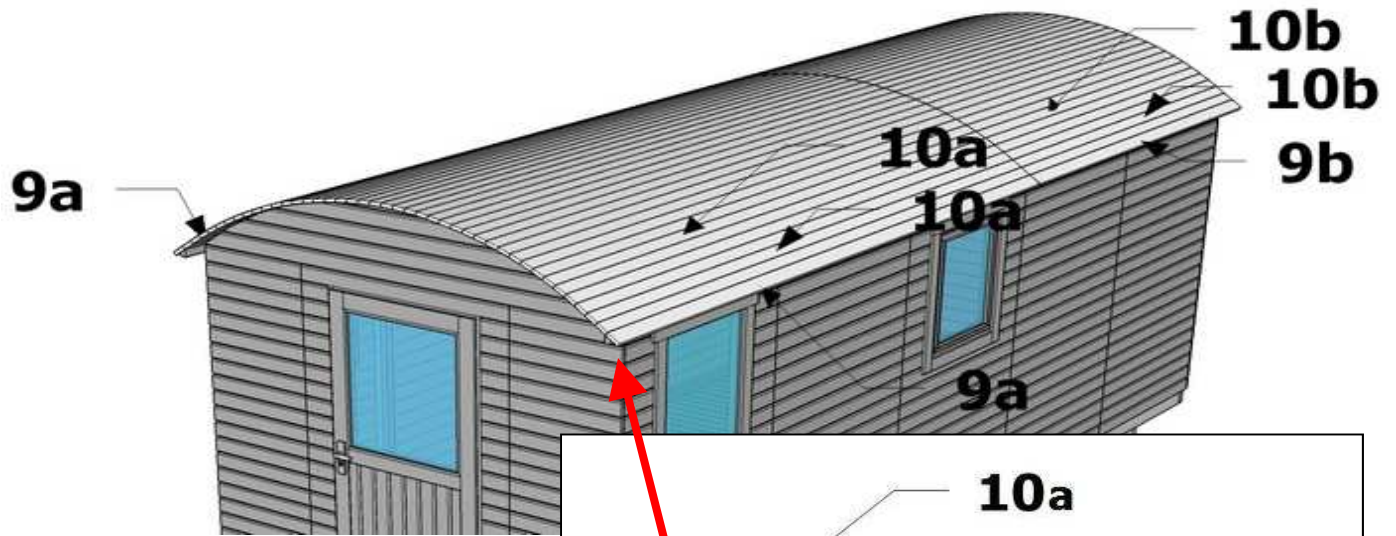


+ **31**

4,5 x 80	24
----------	----

Wagon 2,4 x 6,0 m. Assembly instruction

9/12

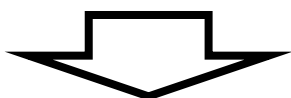
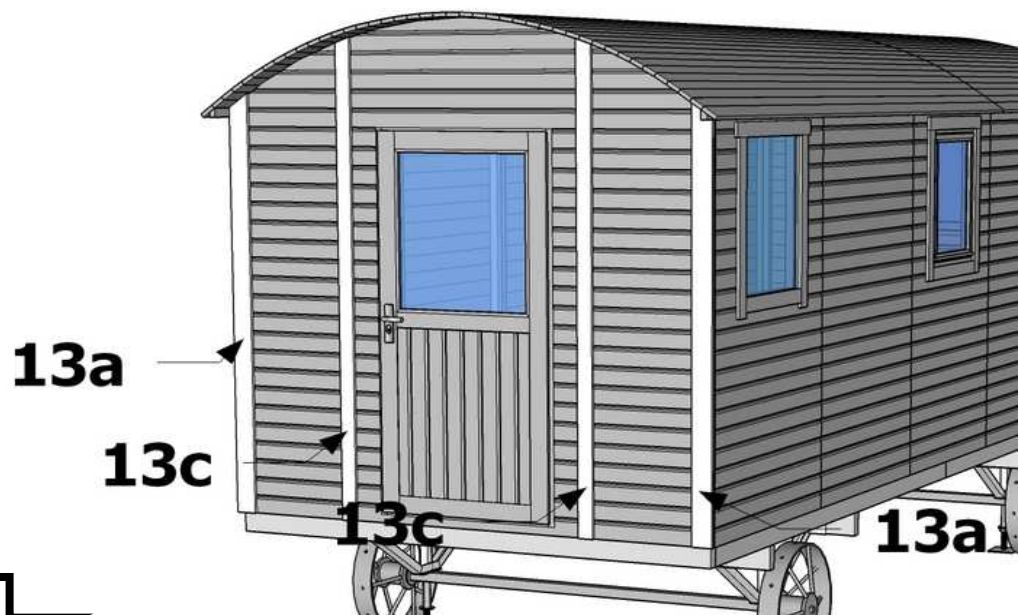


+ **9a/b** + **10a/b** + **9a/b**

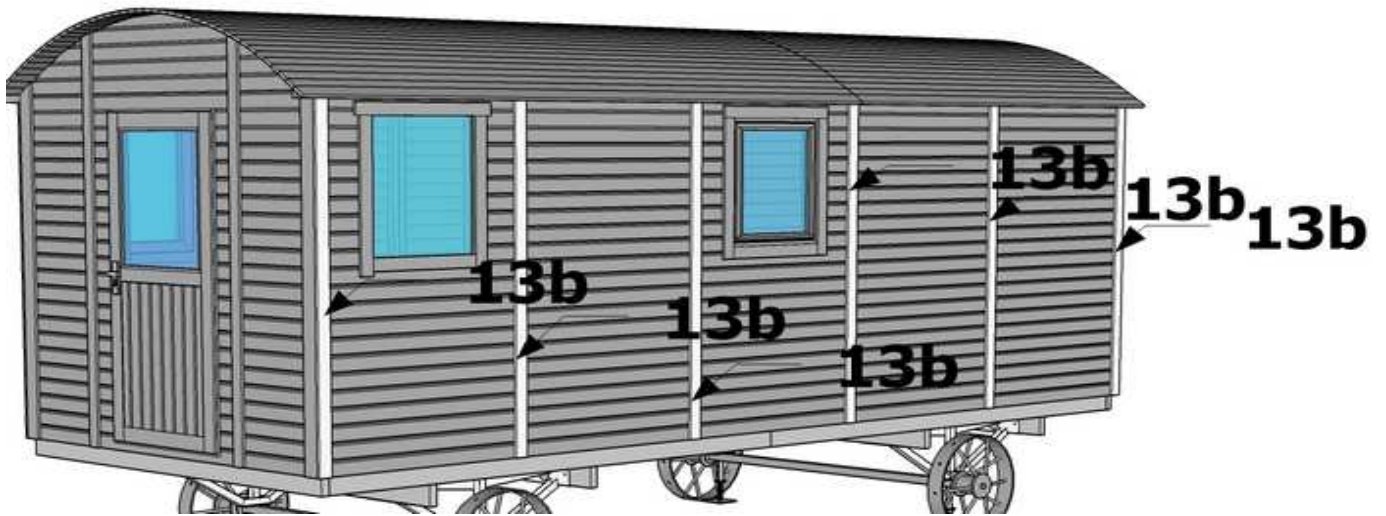
3,5 x 40	44
----------	----

+ **10a** + **10b**

nail 2 x 50	560
-------------	-----

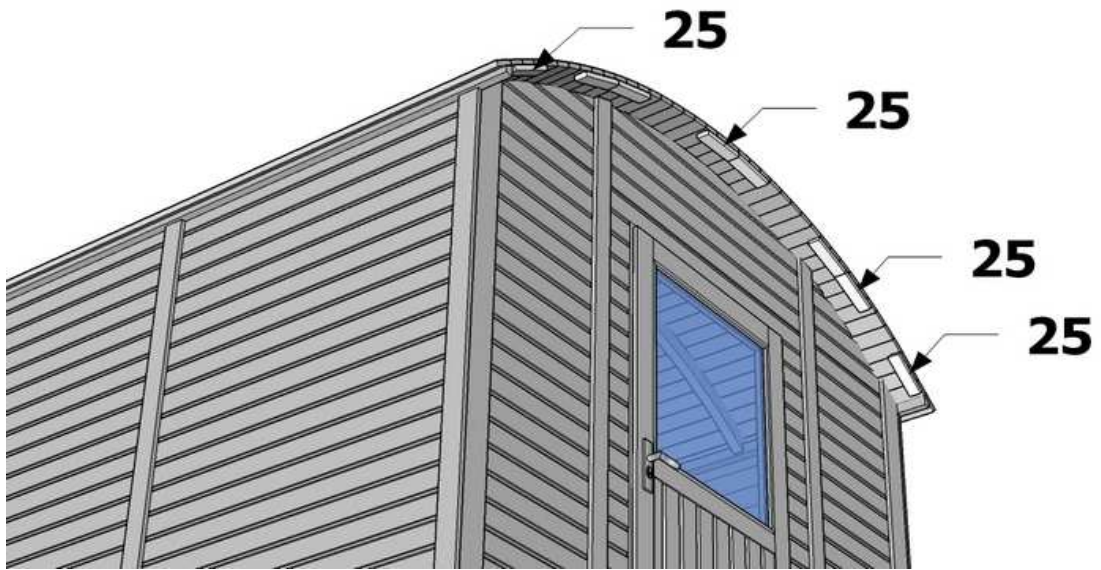


Wagon 2,4 x 6,0 m. Assembly instruction

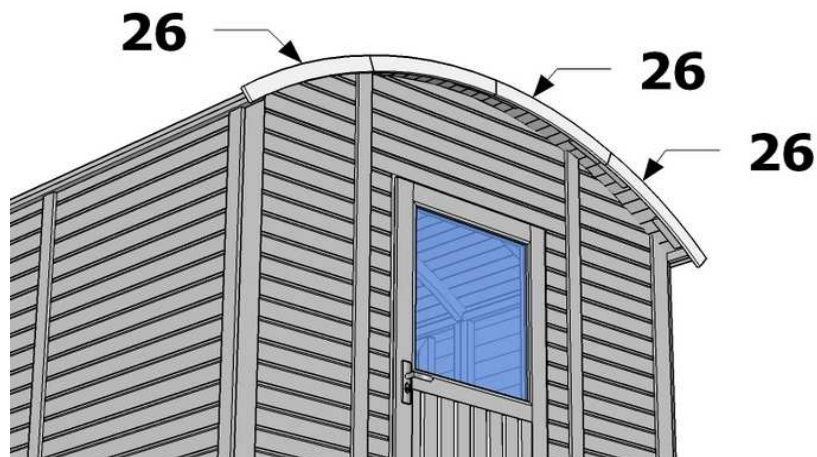


13a	+	13b	+	13c		3,5 x 40	84
------------	---	------------	---	------------	--	-----------------	-----------

Before this we recommend to install the roofing



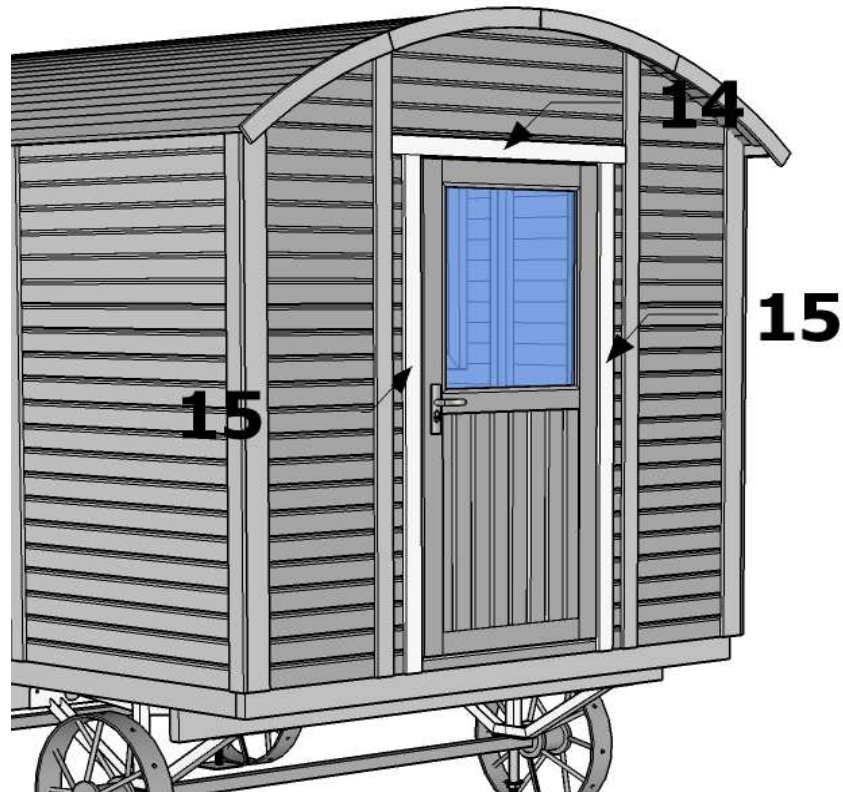
+	25		3,5 x 35	32
---	-----------	--	-----------------	-----------



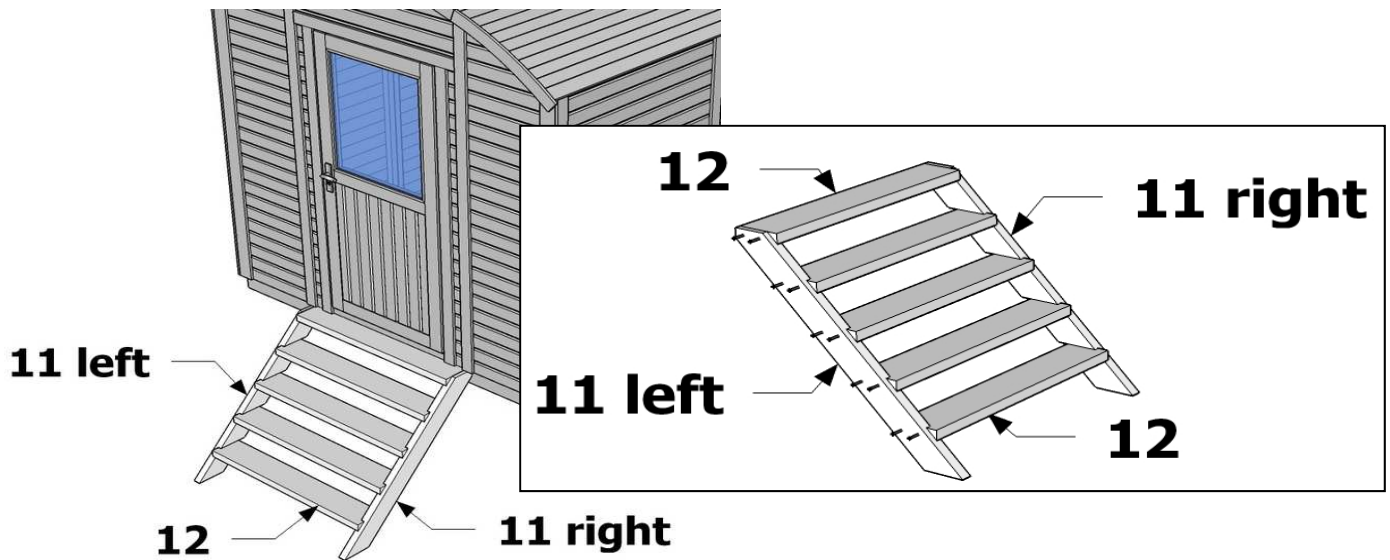
+	26		3,5 x 40	16
---	-----------	--	-----------------	-----------

Wagon 2,4 x 6,0 m. Assembly instruction

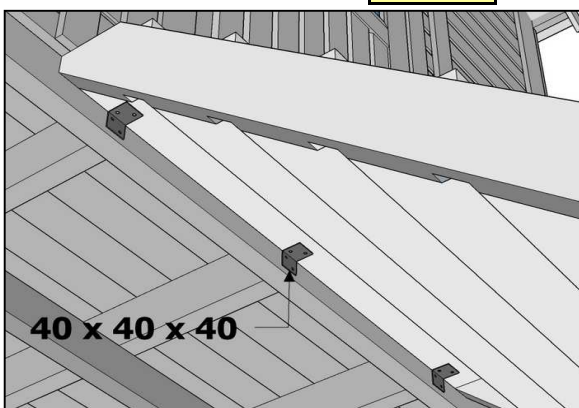
11/12



+	15	+	14	3,5 x 40	12
---	-----------	---	-----------	-----------------	-----------



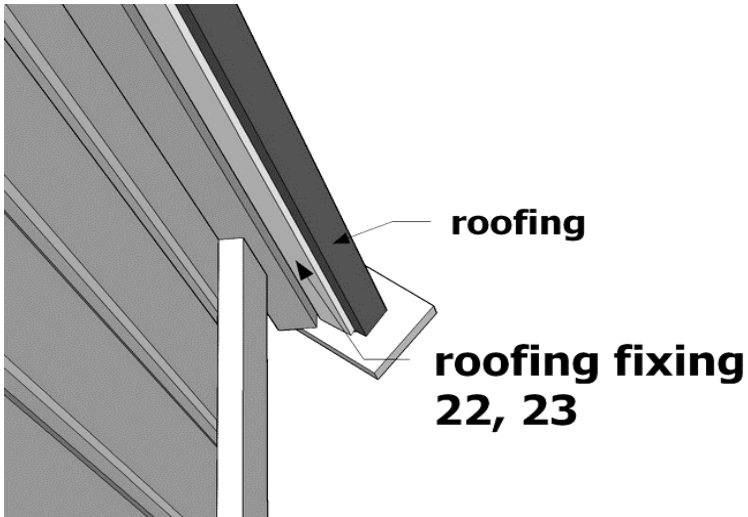
11	+	12	4,5 x 80	20
-----------	---	-----------	-----------------	-----------



11+12				
+		40x40x40	3	
base		3,5 x 40	18	

Wagon 2,4 x 6,0 m. Assembly instruction

12/12



$$+ \boxed{22} + \boxed{23} \quad \boxed{3,5 \times 20} \quad \boxed{40}$$

PRODUCT: WIN-code: Article:	Packing list	Page
	Wagon 2.4 x 6,0	1/1
	Control	
	40.0182	

element nr.	element's name	quantity	dimension (mm.)	specify
1	bottom beam	6	44 x 120 x 2368	
1a	bottom beam	4	44 x 94 x 1000	
2	bottom beam	21	44 x 120 x 2956	
3a	floorboard	1	19 x 75 x 2368	first
3b	floorboard	65	19 x 90 x 2368	
3c	floorboard	1	19 x 75 x 2368	last
4a	end wall, right	2	600 x 1980	
4b	end wall, left	2	600 x 1980	
5a	wall 1200	7	1200 x 1980	
5b	wall with non-open window	2	1200 x 1980	
5c	wall with installed door	1	1200 x 1980	
5d	wall with open window	2	1200 x 1980	
7	inner arch support	9	455 x 2406	
8	outer arch support, covered	2	2406 x 416	with panel
9a	roof board	1+1	19 x 70 x 3749	first/last
9b	roof board	1+1	19 x 70 x 2549	first/last
10a	roof board	29	19 x 90 x 3749	
10b	roof board	29	19 x 90 x 2549	
11	stairs side	1+1	44 x 120 x 1205	45° //
12	stairs tread	5	44 x 170 x 1152	
13a	end wall edge cover slat	4	16 x 94 x 2050	end 37°
13b	side wall cover slat	12	16 x 70 x 1936	
13c	end wall middle cover slat	4	16 x 70 x 2314	end 20°
14	doorway's upper slat	1	16 x 70 x 1130	
15	doorway's slat	2	16 x 70 x 1885	
22	veneer in edge of the roof	4	4 x 30 x 2440	
23	veneer in edge of the roof	4	4 x 30 x 900	
25	roof edge arc fixing brick	16	19 x 40 x 180	
26	roof edge arc	8	L = 710 mm.	arc-element
31	the upper feather key	4	28 x 44 x 3129	edge 37°
32	extra support metal	4	50 x 90 x 1000	

Metal parts:

50	wagon wheel	4
51	wagon wheels washer	4
51a	wheel's splint	4
52	wagon axle	2
53	basement support	4
54	bolts and nuts for basement	4
55	adjustable support leg	4
56	adjustable leg's nut M27	4
57	bolt M10, L 70	28
58	bolt M10, L 110	4
59	nut M10	32
60	washer M10	64
	fasteners set + assembly instruction	