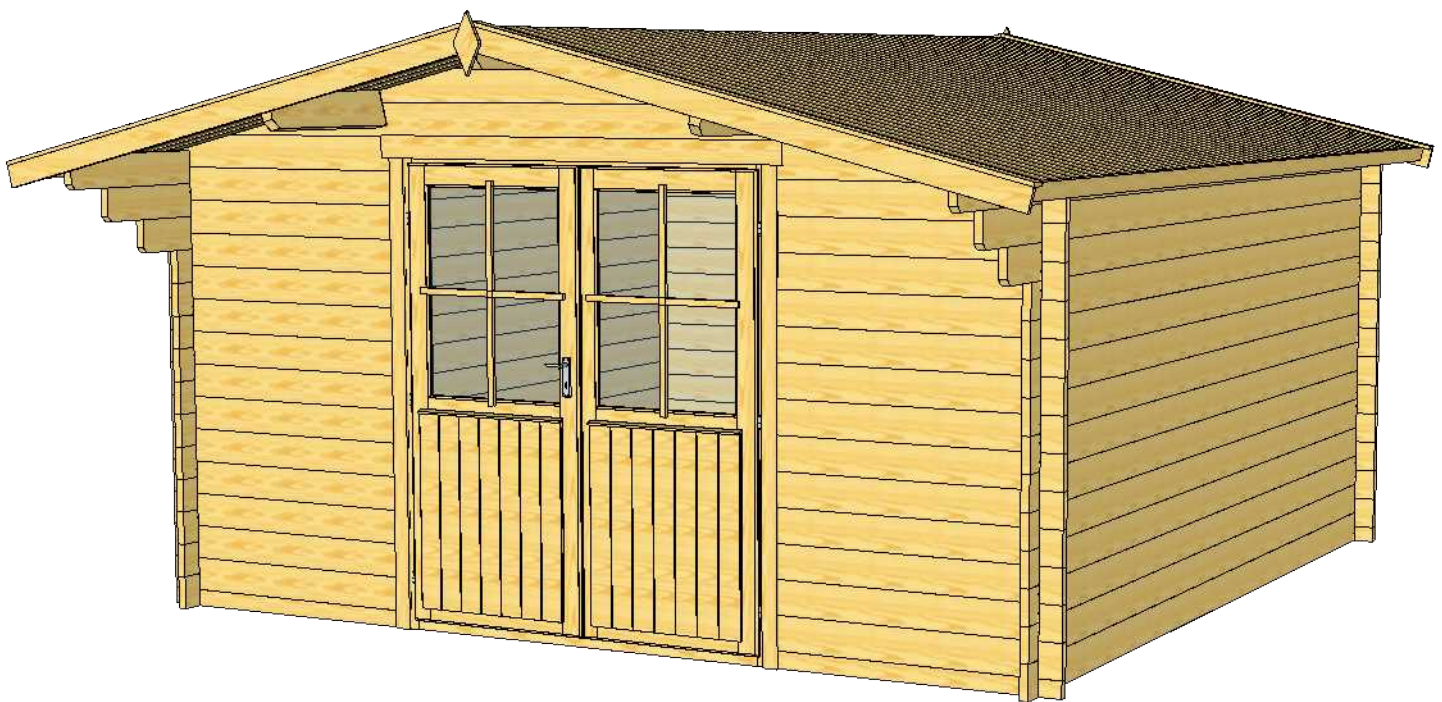


**T-**

Package number T /0

## **Torrent 4.0 x4.0**

### **Manual**



QC checked

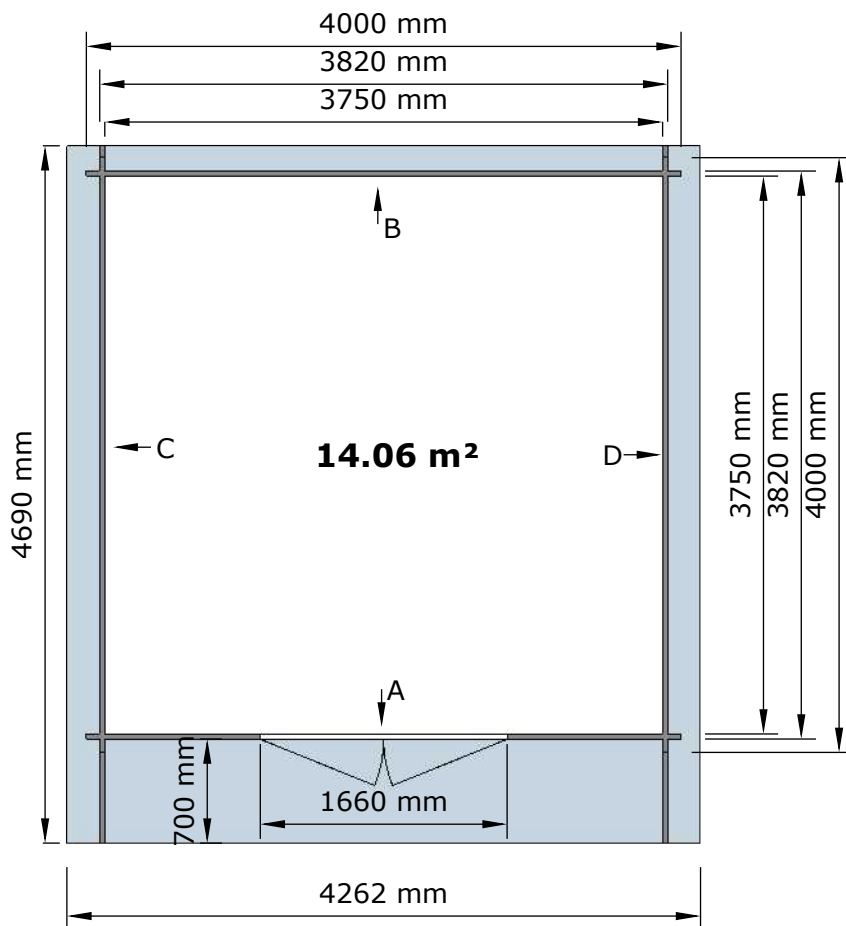
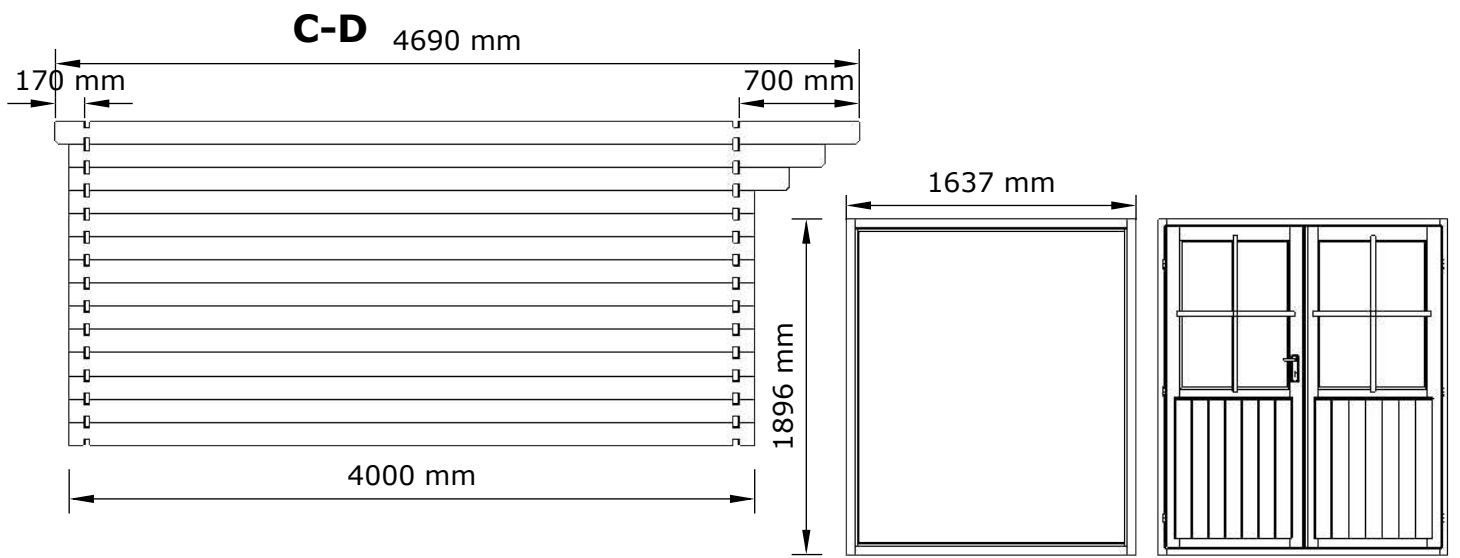
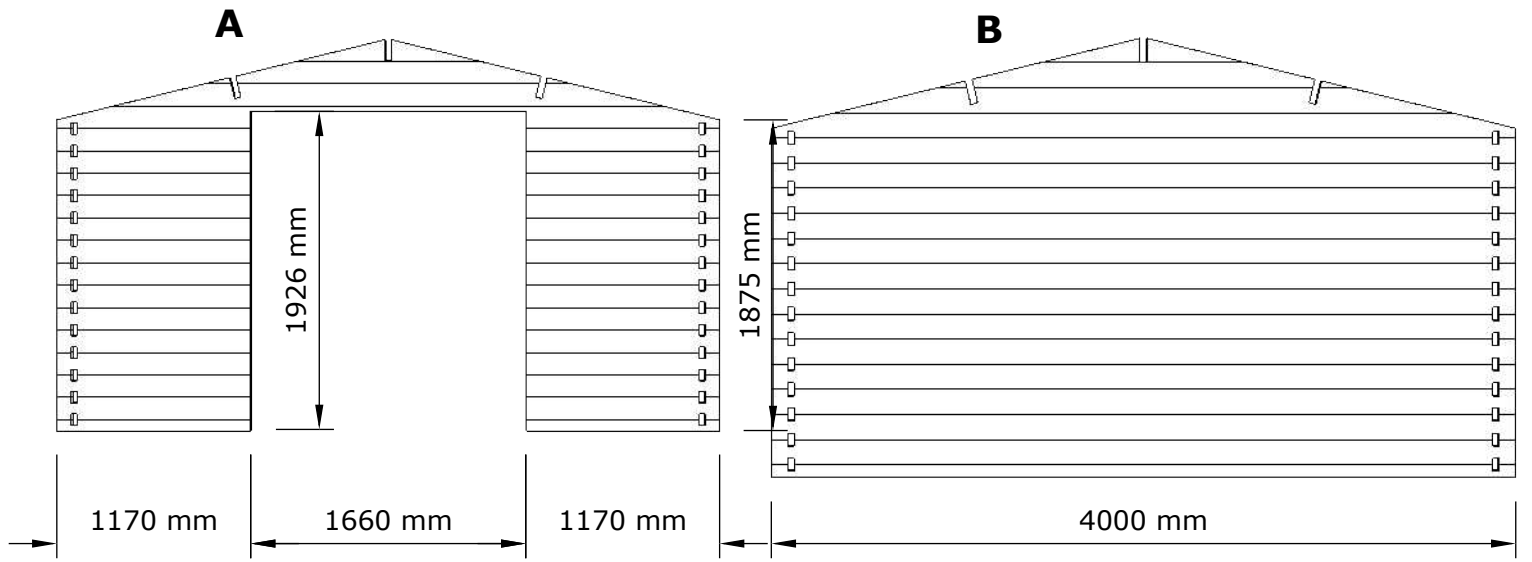
| Pos | Size, mm<br>h x b x l |      |                | Quantity |  | Destination    |
|-----|-----------------------|------|----------------|----------|--|----------------|
|     |                       |      |                |          |  |                |
| 3   | 34                    | 67,5 | 4000           | 1        |  | Wall B         |
| 3a  | 34                    | 67,5 | 1170           | 2        |  | Wall A         |
| 4   | 34                    | 135  | 4000           | 13       |  | Wall B         |
| 5   | 34                    | 135  | 1170           | 26       |  | Wall A         |
| 6   | 34                    | 135  | 4000           | 22       |  | Wall C,D       |
| 7   | 34                    | 135  | 4203           | 2        |  | Wall C,D       |
| 7a  | 34                    | 135  | 4407           | 2        |  | Wall C,D       |
| 7b  | 34                    | 135  | 4690           | 2+1      |  | Wall C,D       |
| 8   | 34                    | 534  | 4000           | 1        |  | Vault          |
| 8a  | 34                    | 534  | 4000           | 1        |  | Vault          |
| 9   | 44                    | 140  | 4690           | 1        |  | Rafter         |
| 9a  | 44                    | 140  | 4690           | 2        |  | Rafter         |
| 10  | 16                    | 90   | 2190           | 107      |  | Roof board     |
| 11  | 16                    | 90   | 2250           | 4        |  | Wind board A,B |
| 11a | 16                    | 65   | 2250           | 4        |  | Wind board A,B |
| 12  | 16                    | 65   | (2345)<br>4690 | (4)<br>2 |  | Roof board C,D |
| 13  |                       |      |                | 2        |  | Diamond        |
| 16  | 16                    | 65   | 1890           | 4        |  |                |
| 16a | 16                    | 90   | 1760           | 2        |  |                |
| 19  |                       |      |                | 1        |  | Door           |

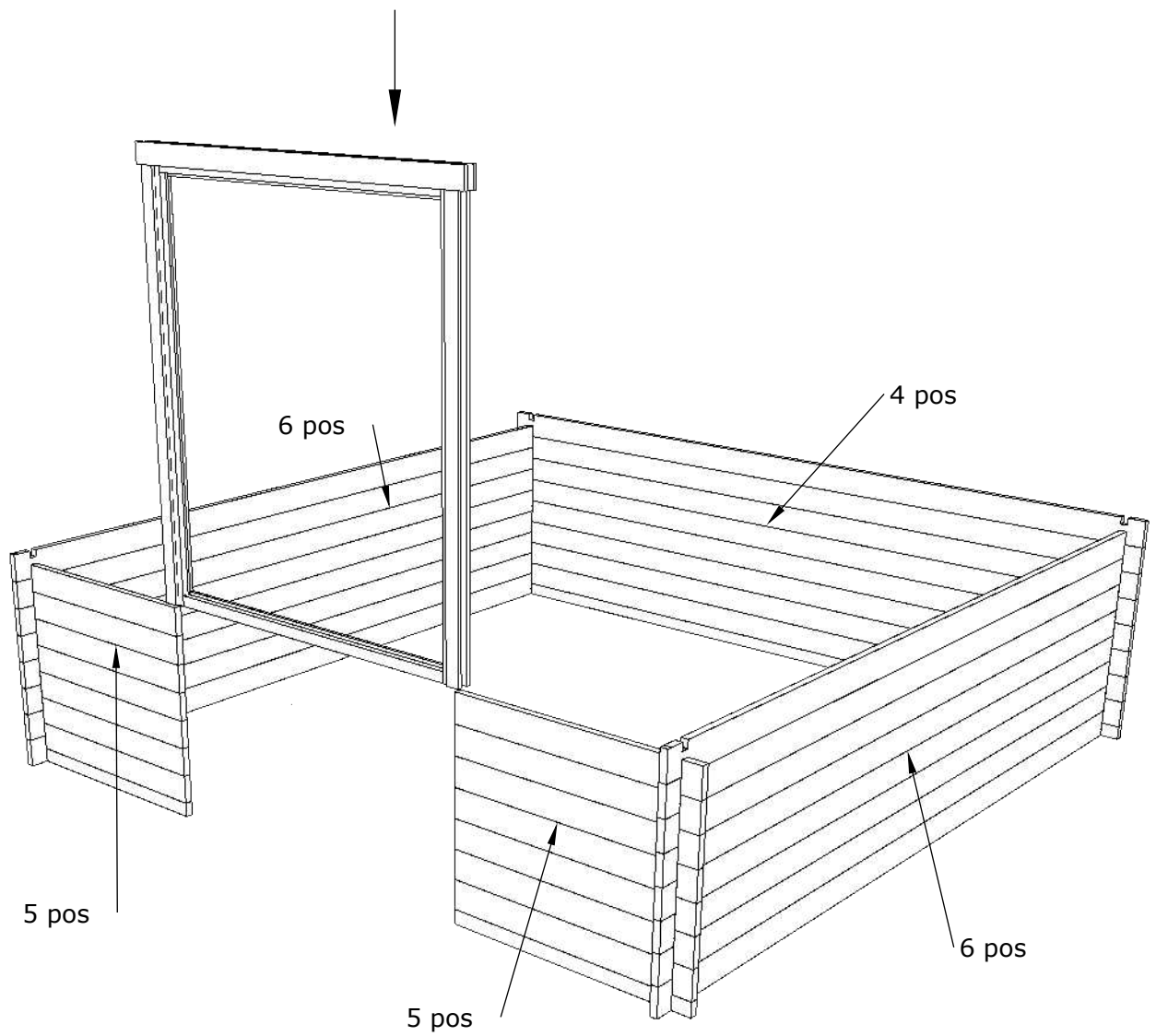
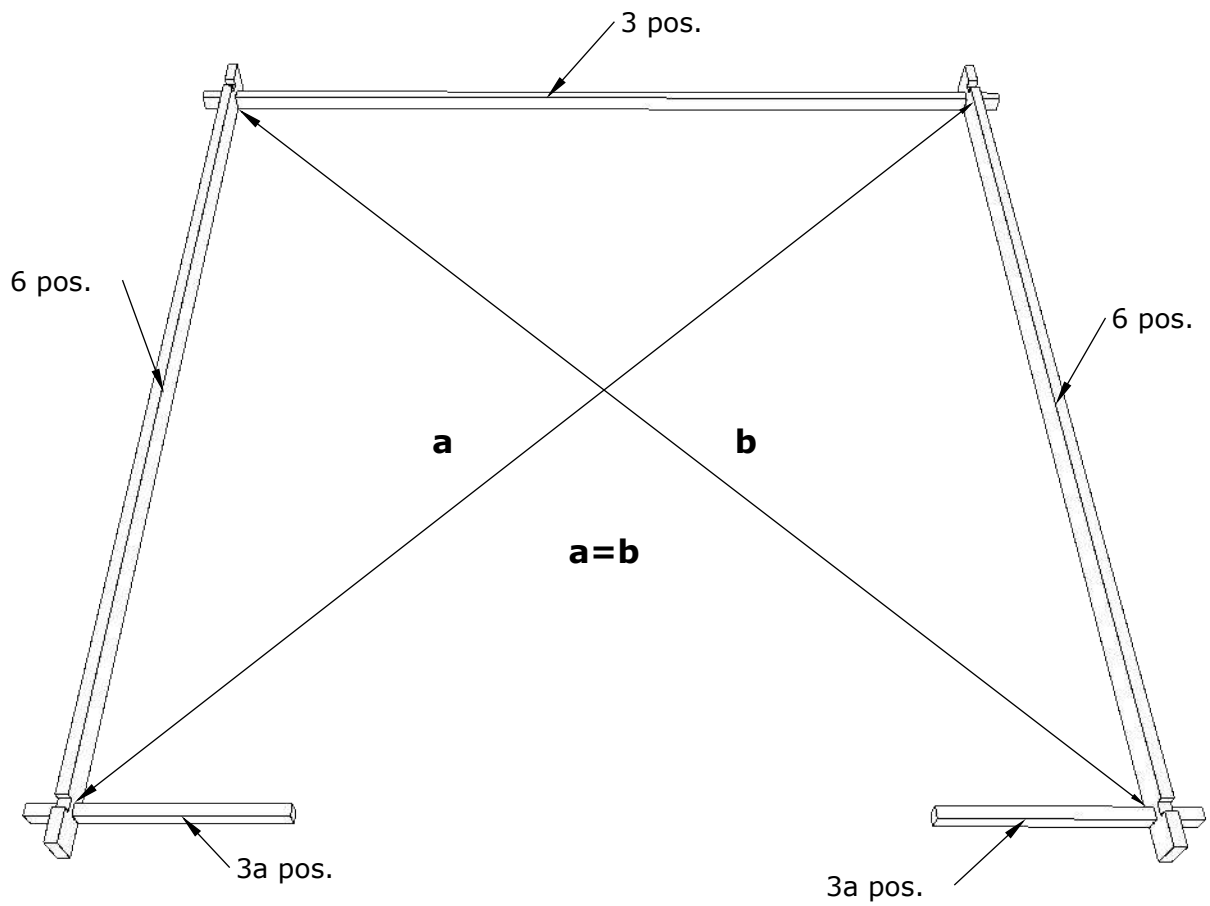
### Recommendations.

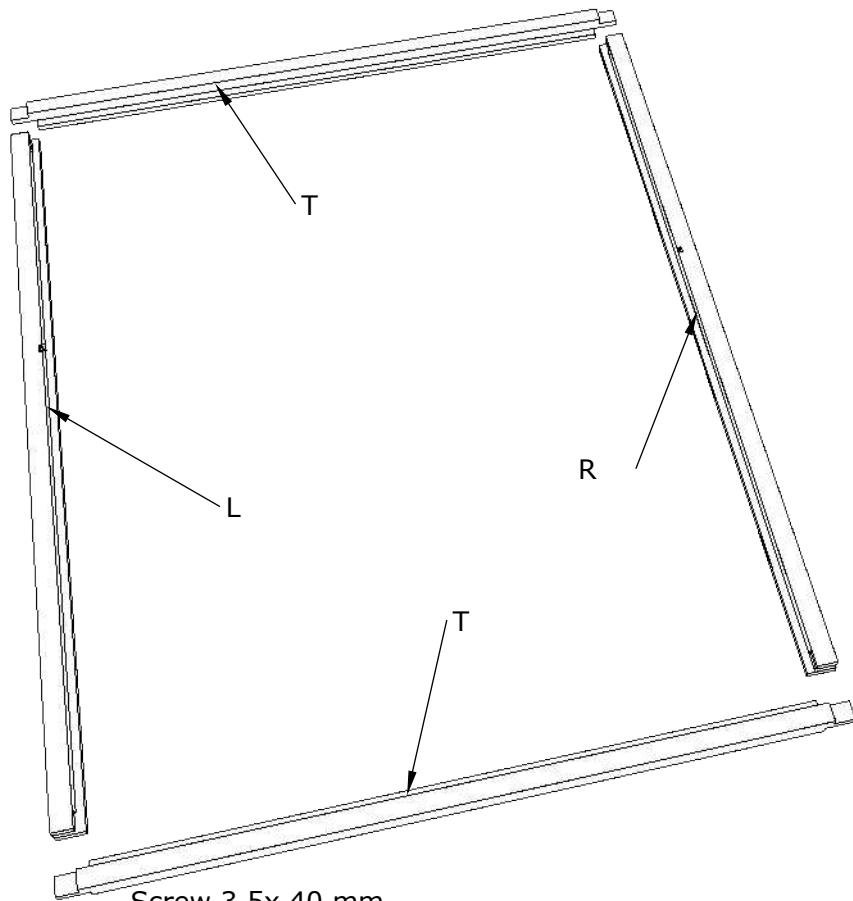
It is recommended to install a ventilation system in the house.



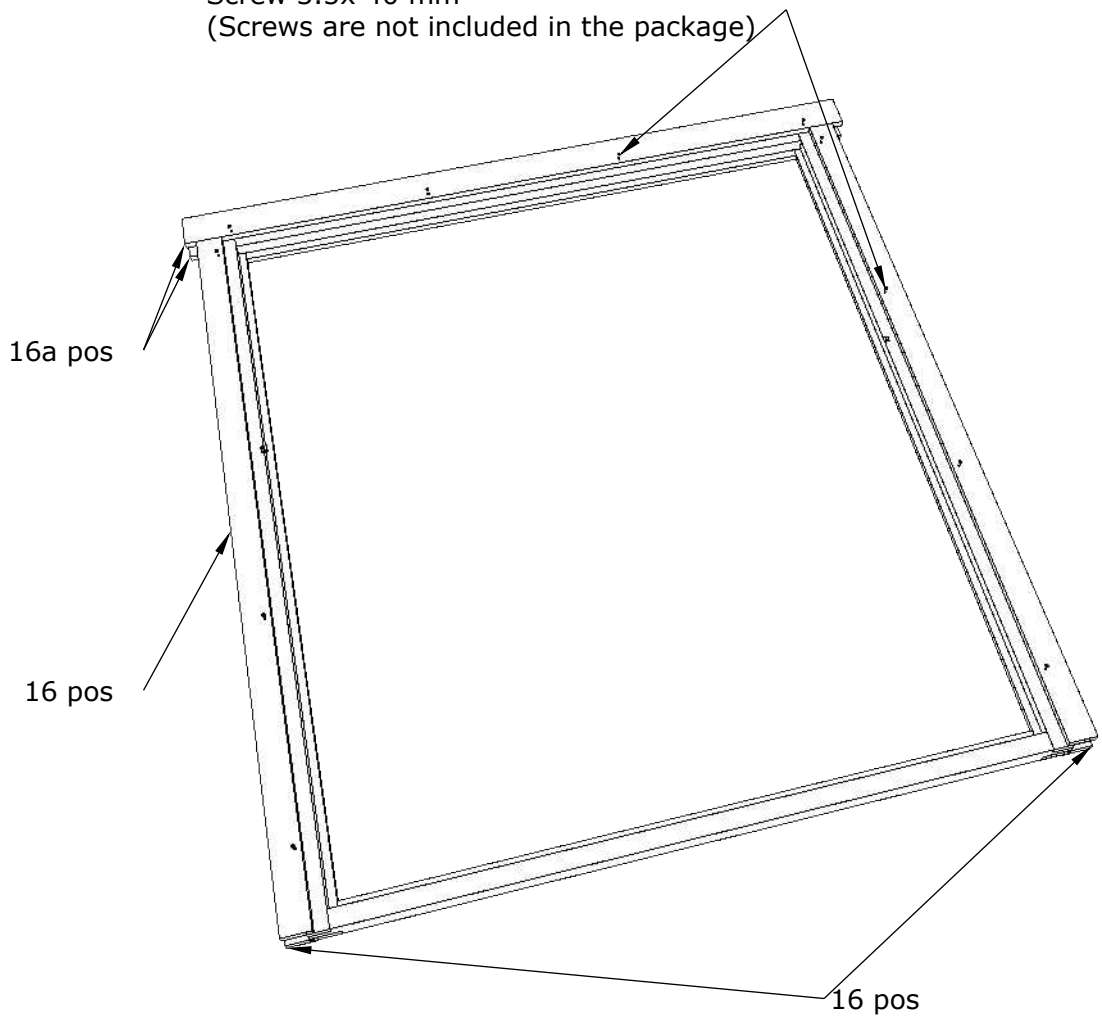
Assembly of the house requires at least minimum knowledge in the field of assembly of wood products. Otherwise, we recommend hiring a specialist.







Screw 3.5x 40 mm  
(Screws are not included in the package)



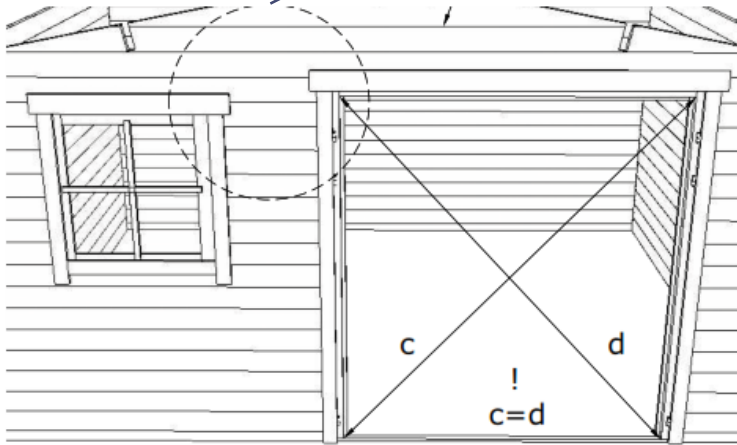
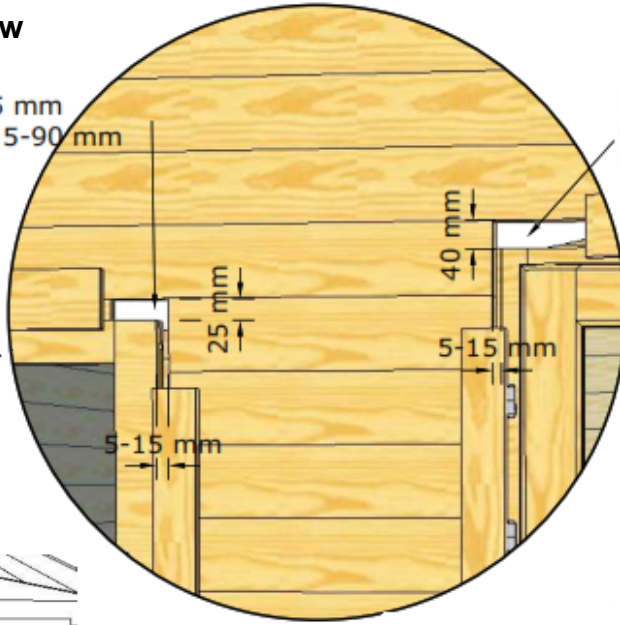
The guide is illustrative. This guide is not project specification.

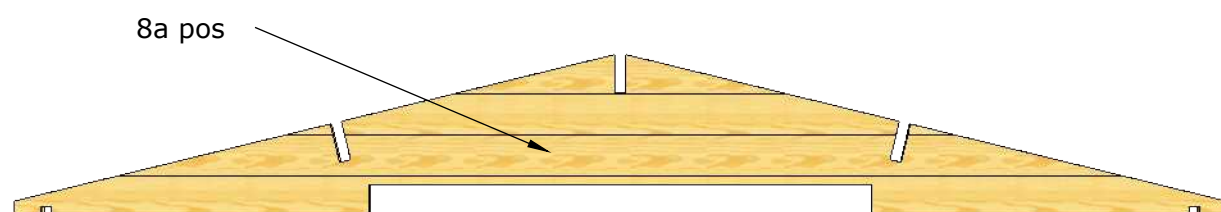
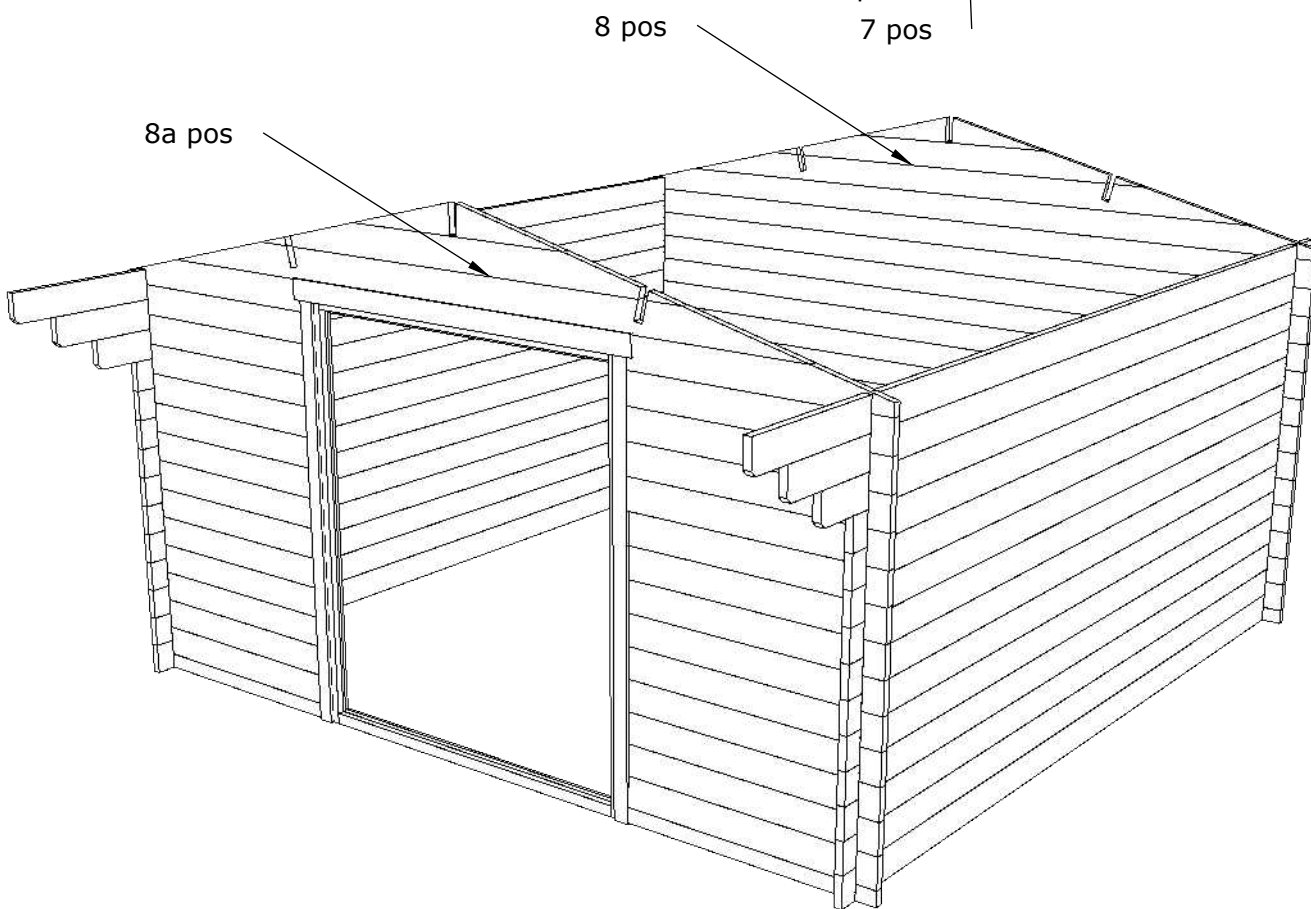
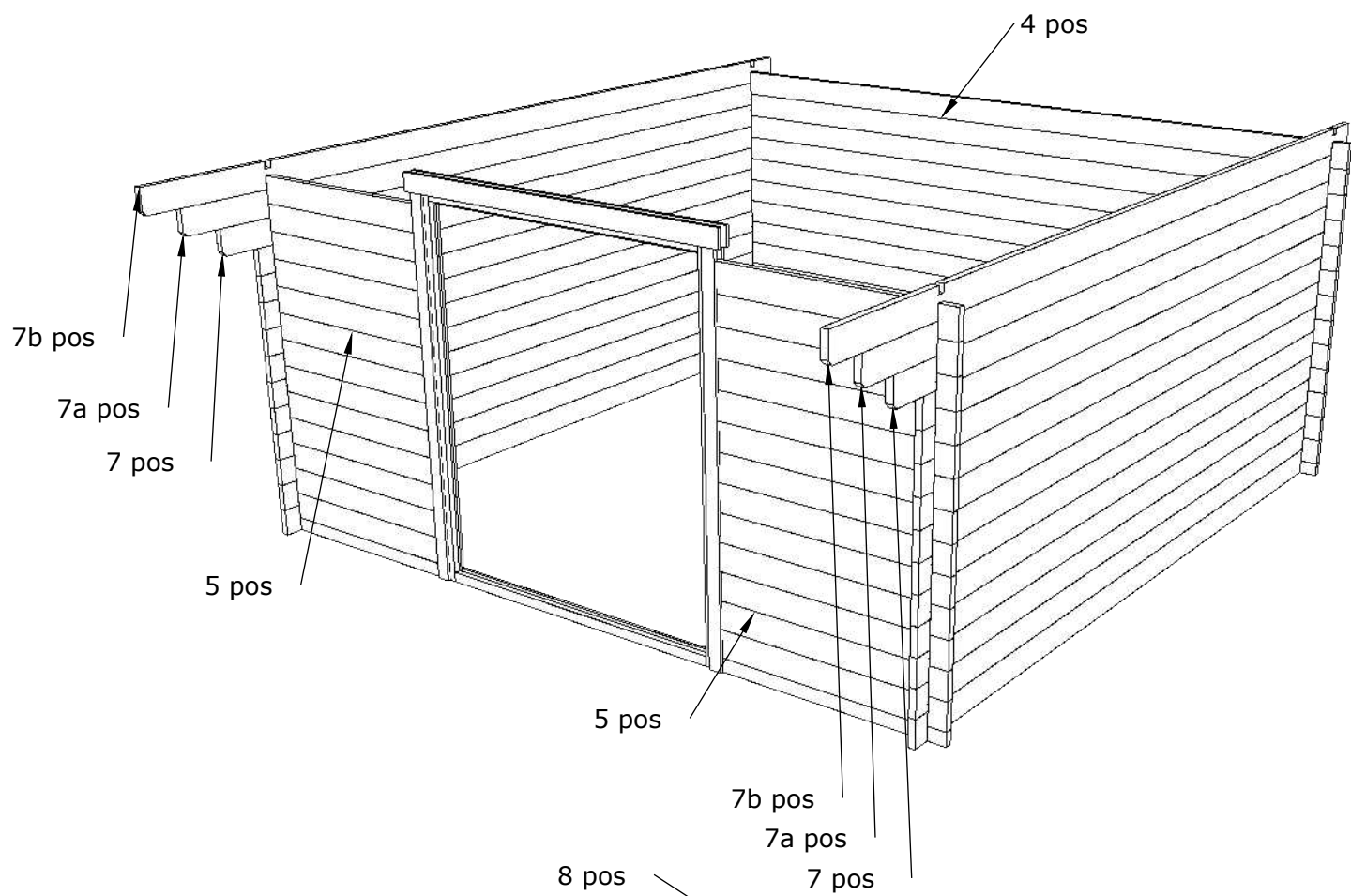
### Window

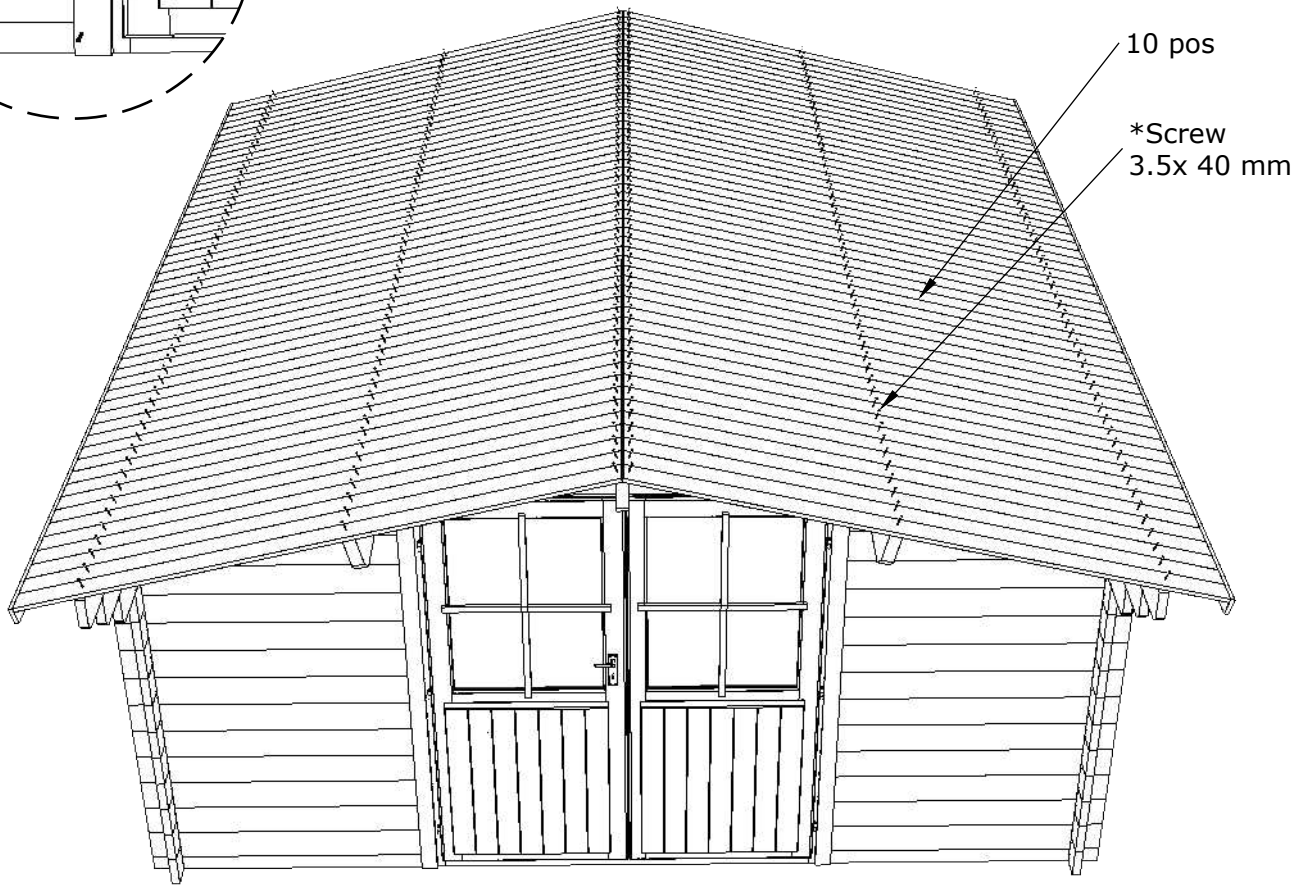
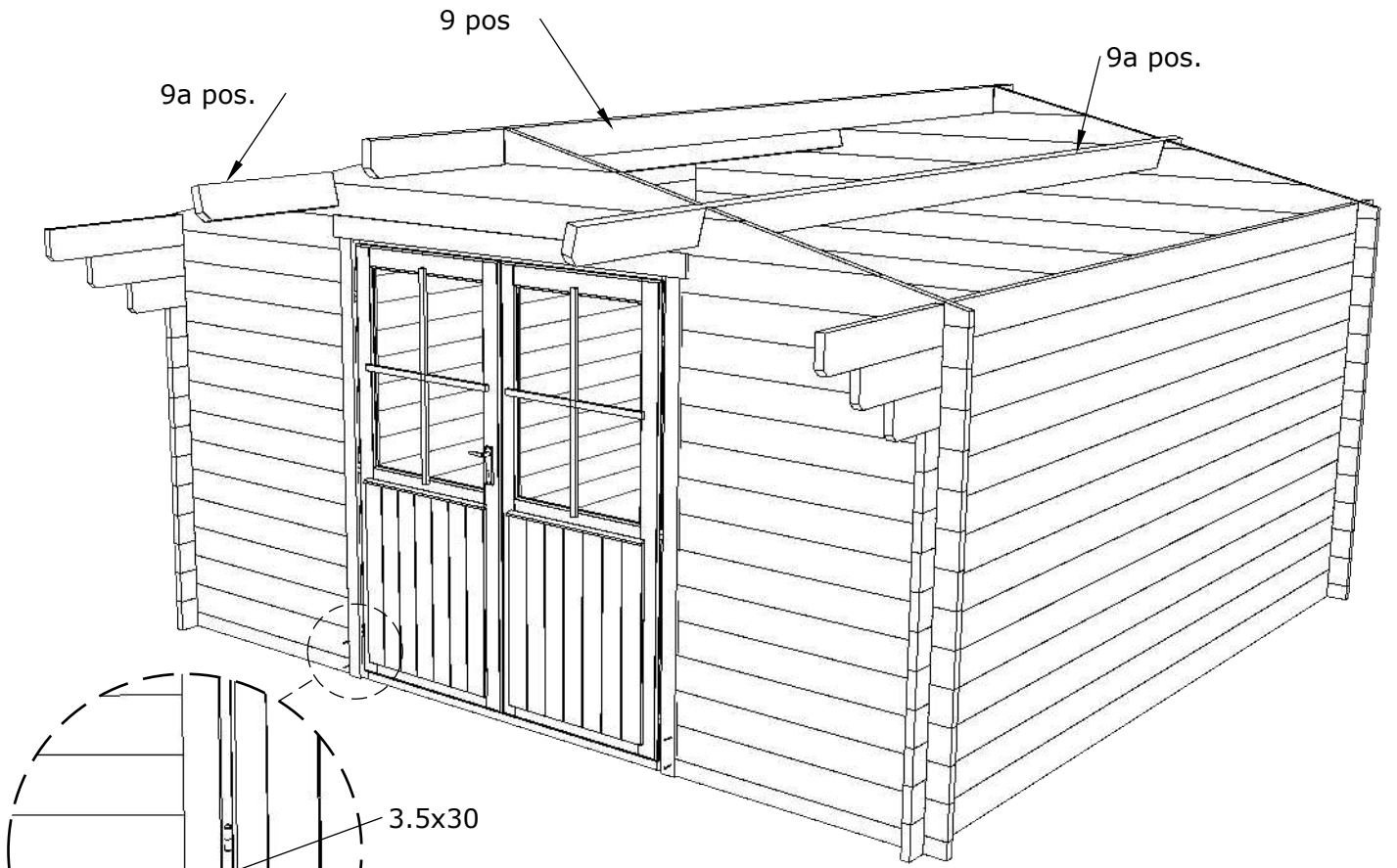
Normal ca 25 mm  
min-max ca 5-90 mm

### Door

Normal - ca 40 mm;  
min - ca 5 mm;  
max - ca 90 mm

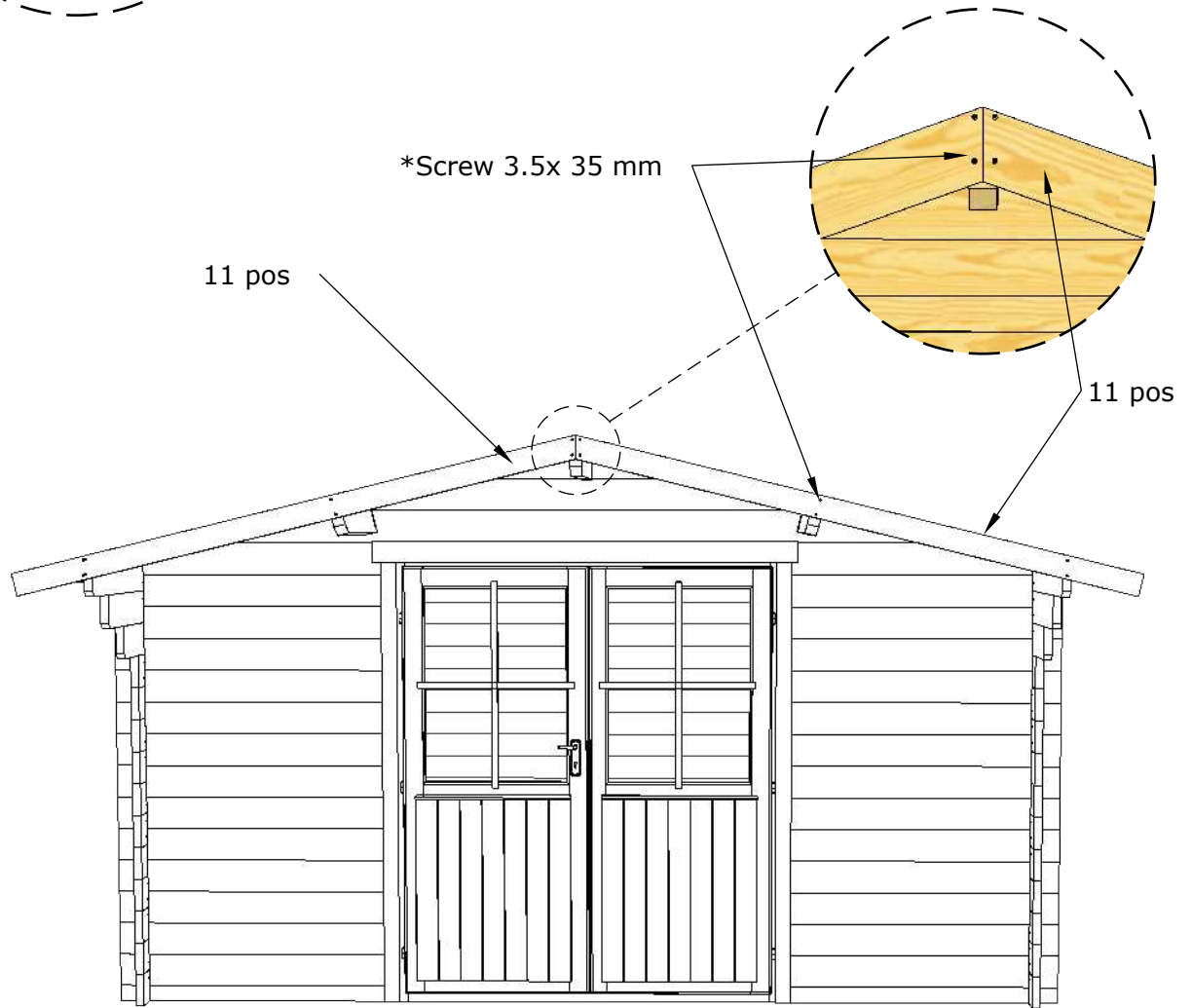
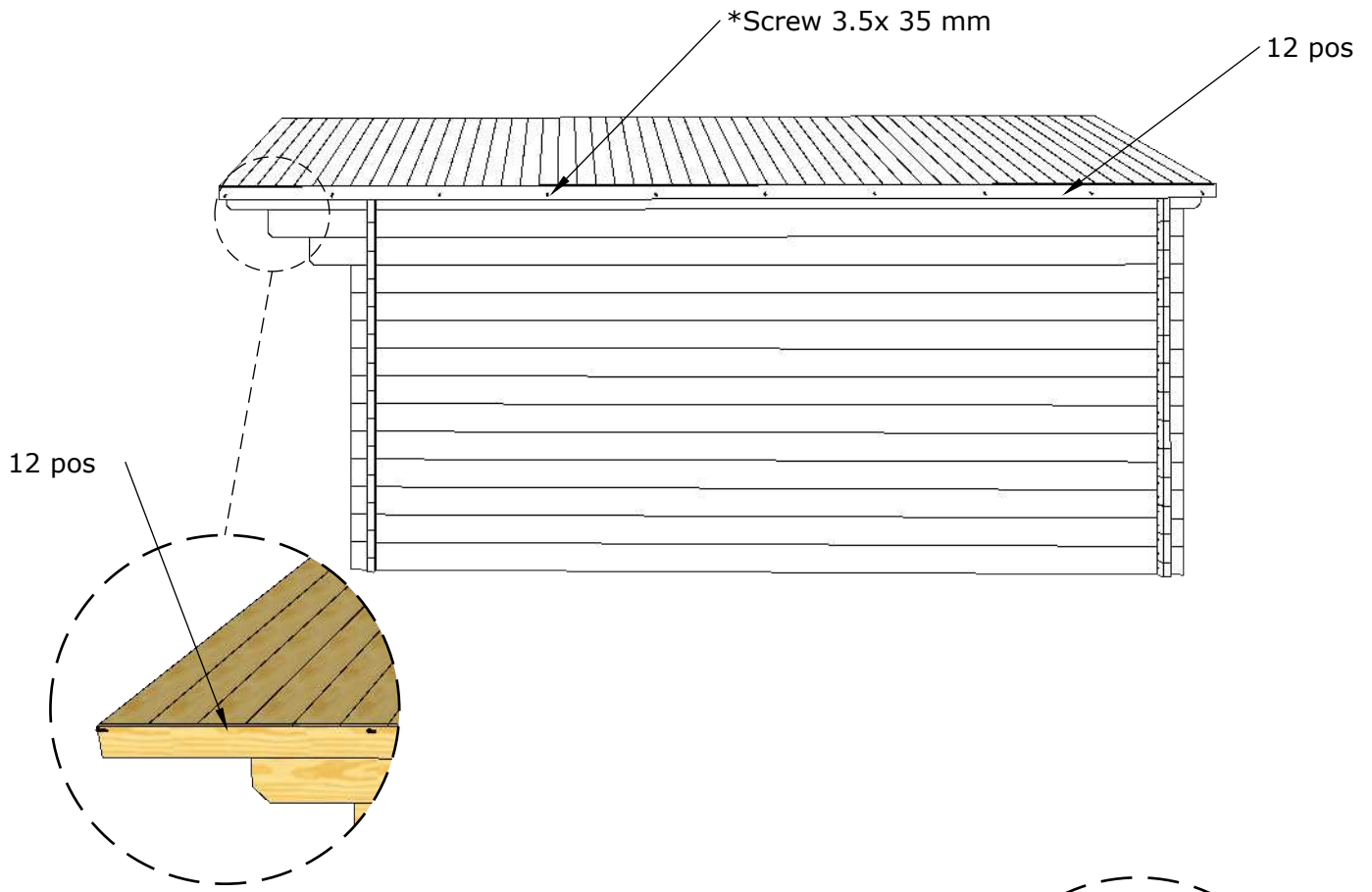




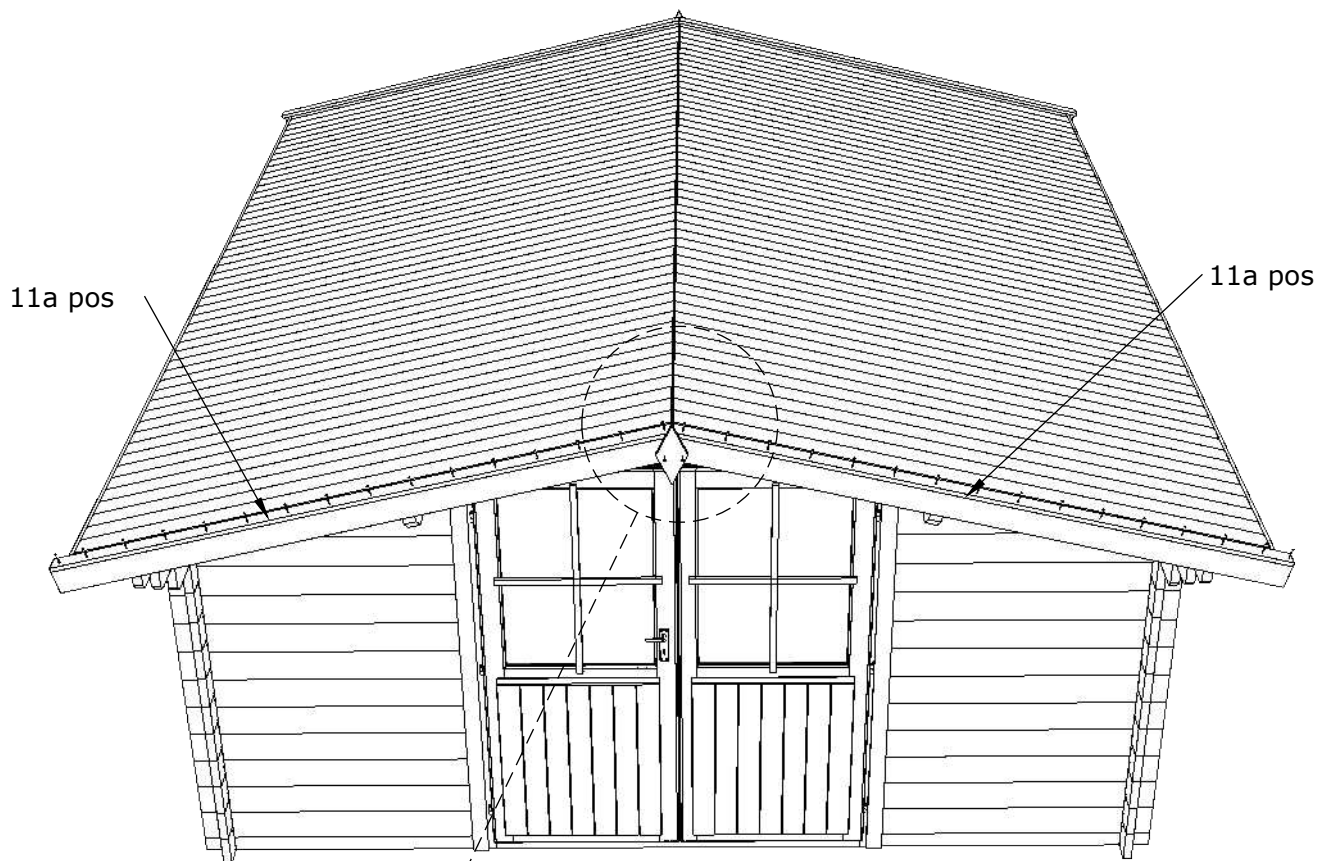


\*Screws are not included in the package



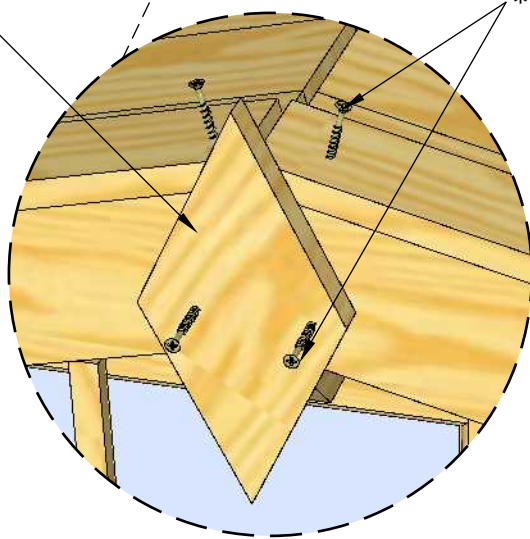


\*Screws are not included in the package



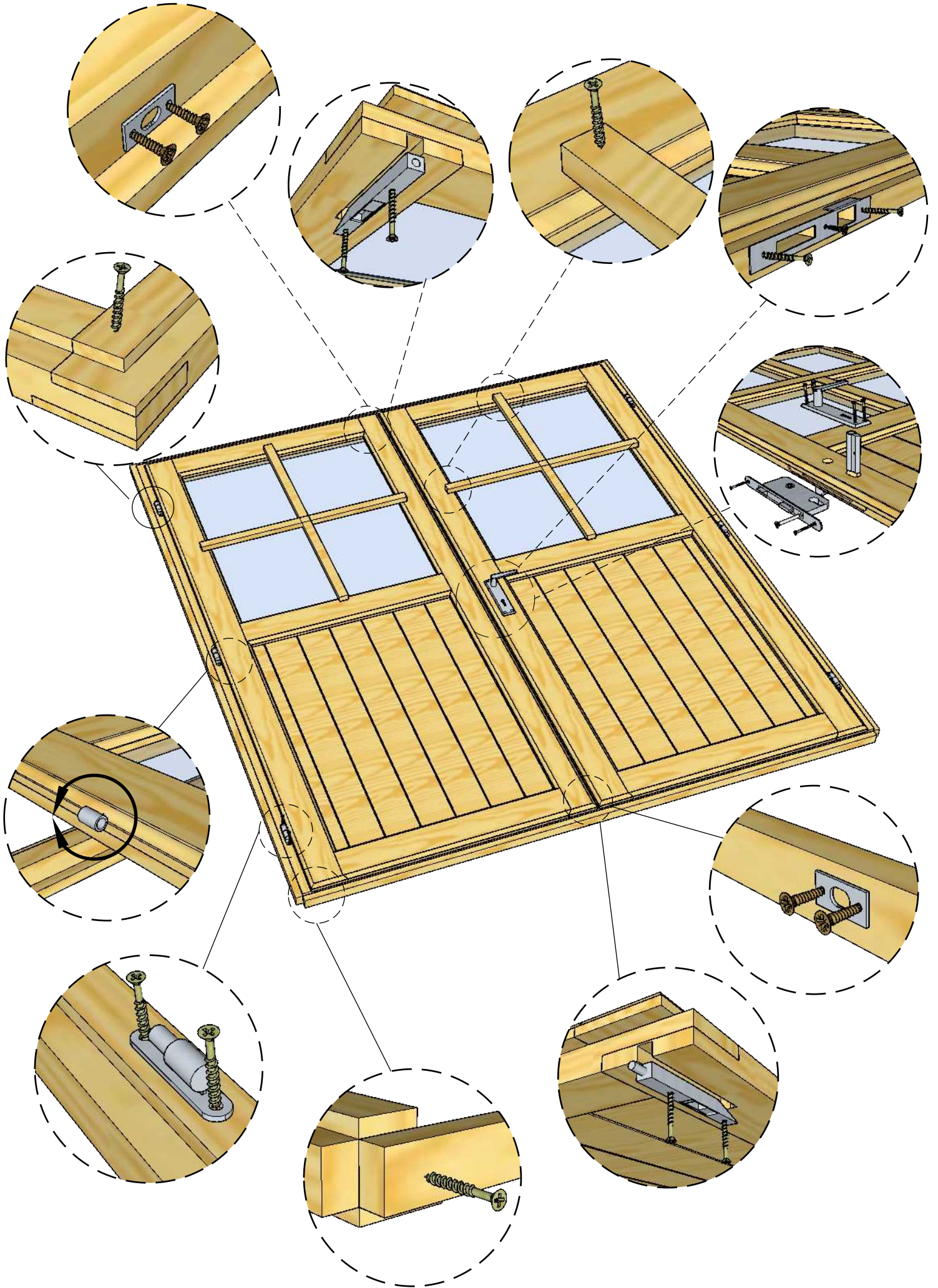
Diamond

\*Screw 3.5x 35 mm

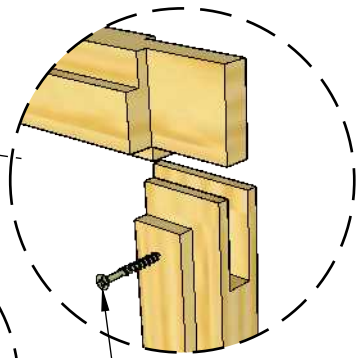
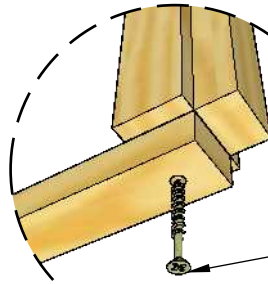
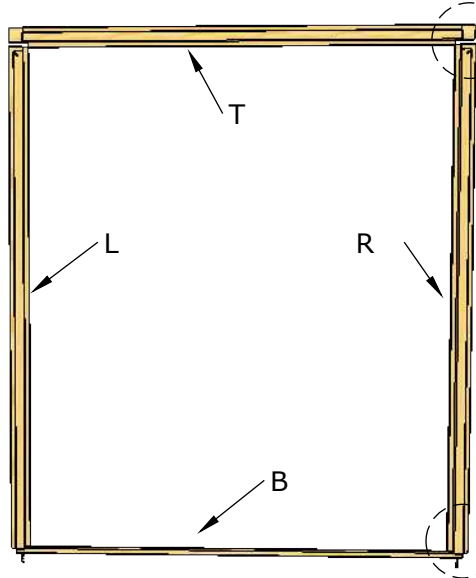


\*Screws are not included in the package

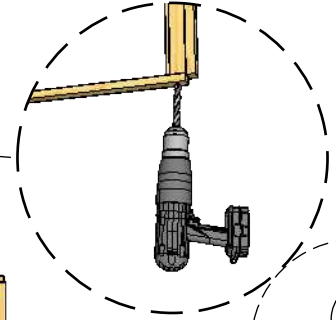
# Door assembly



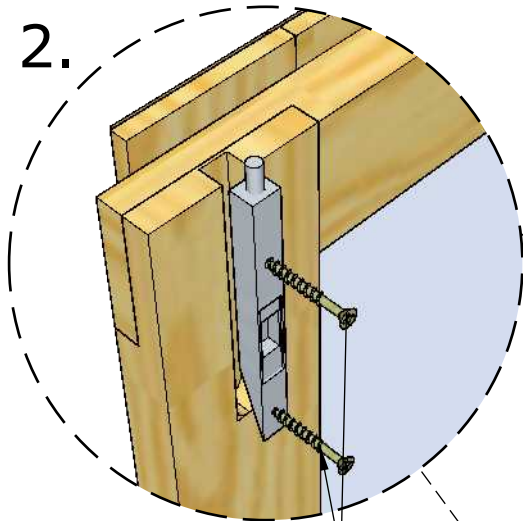
1.



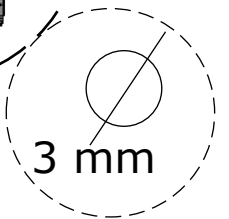
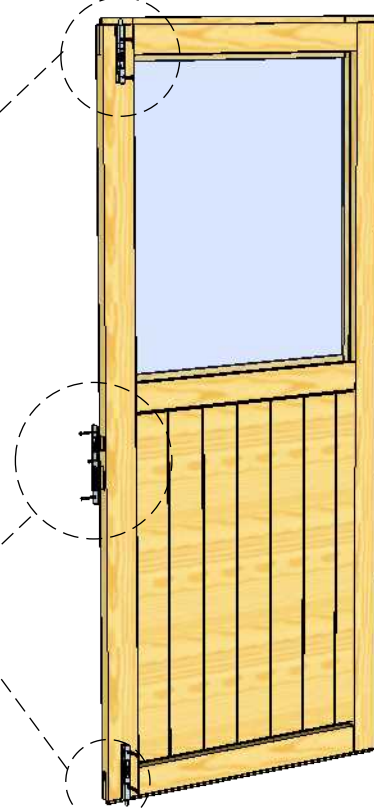
3.5x40



2.

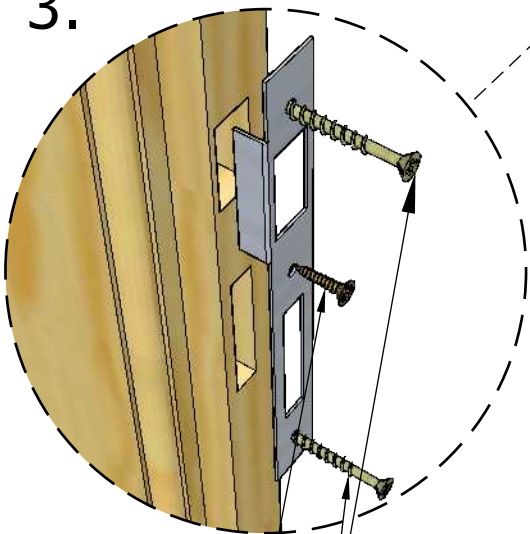


3x30



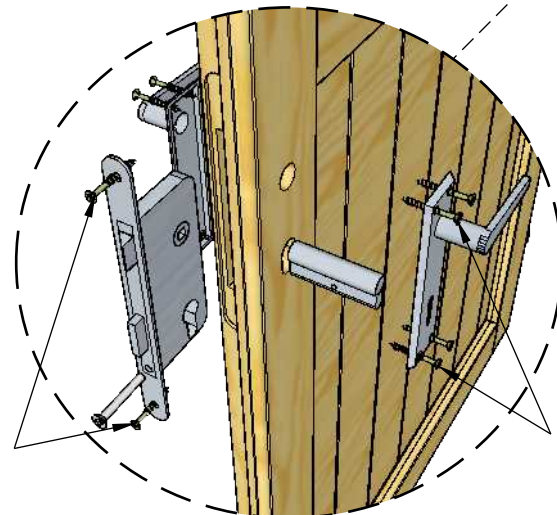
3 mm

3.



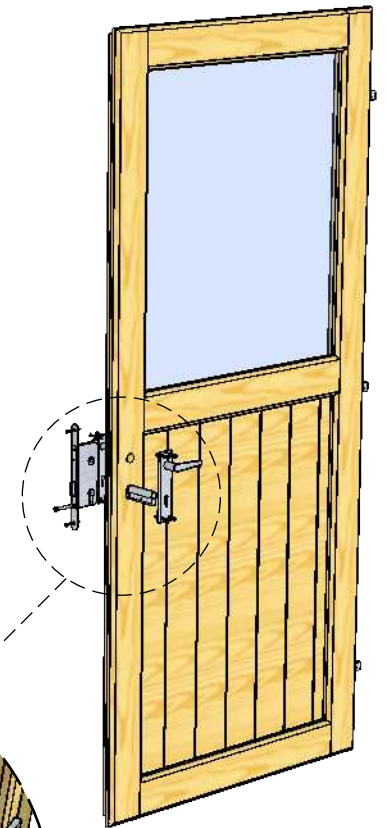
3x16

3x30

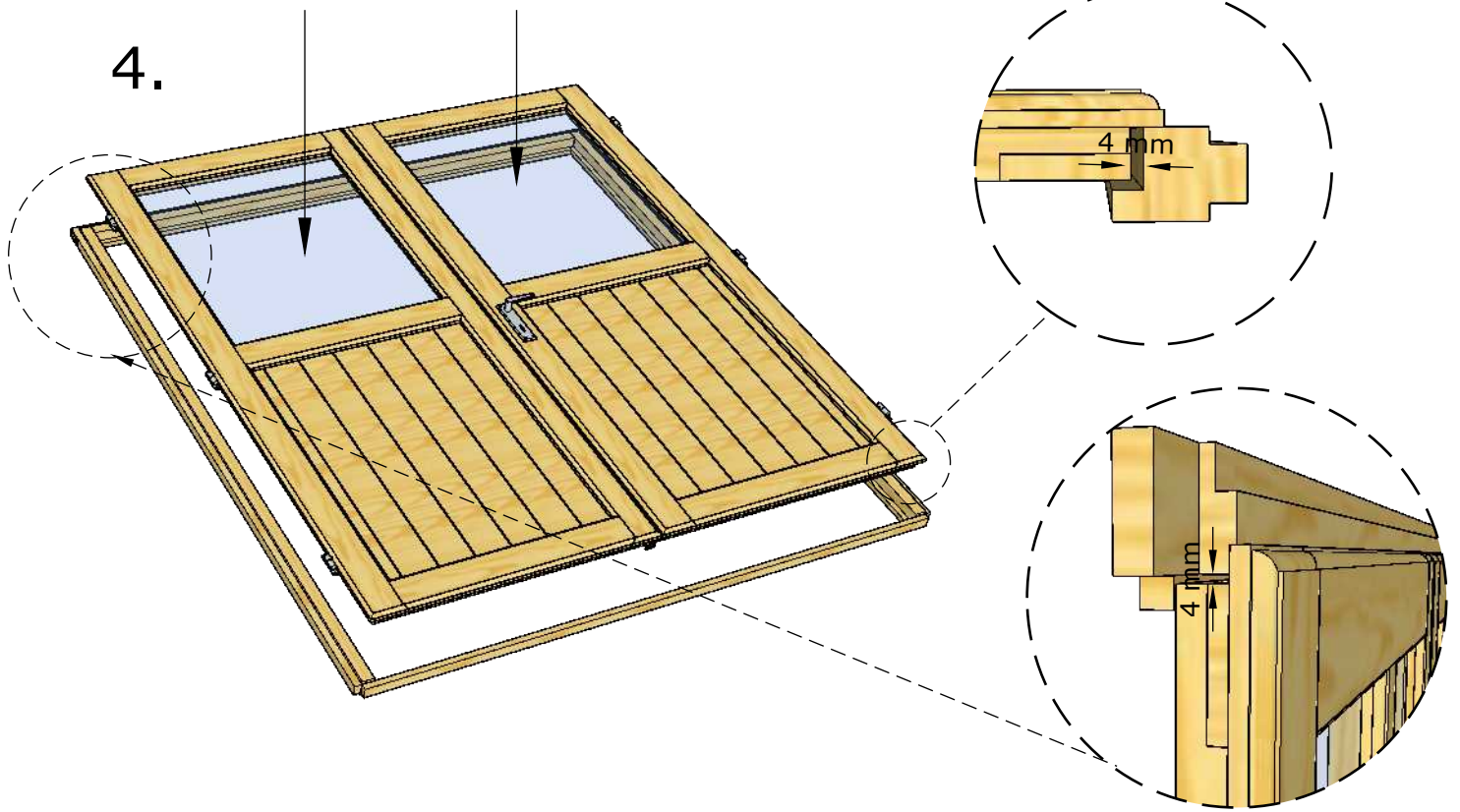


3.5x40

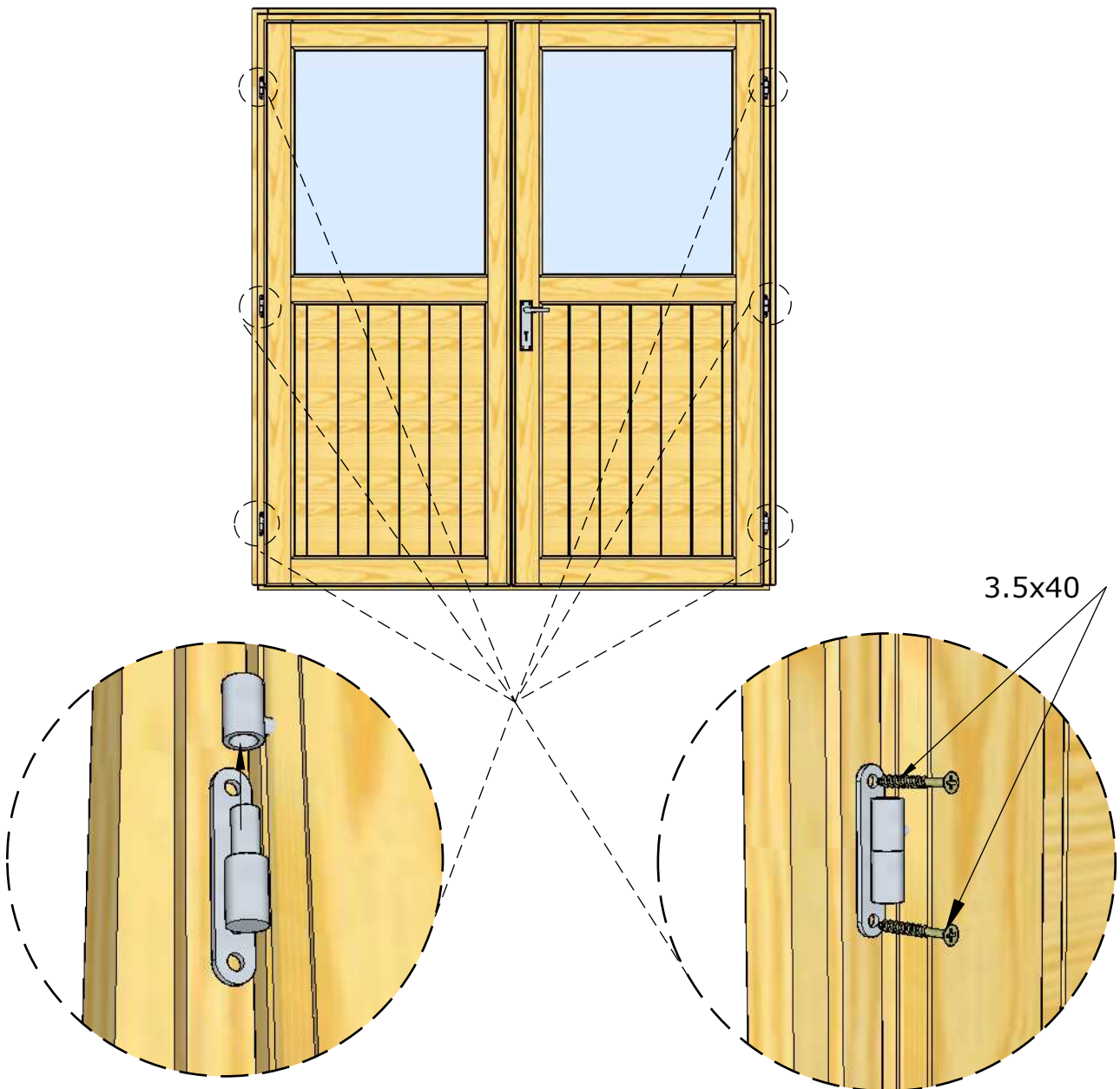
3.5x25



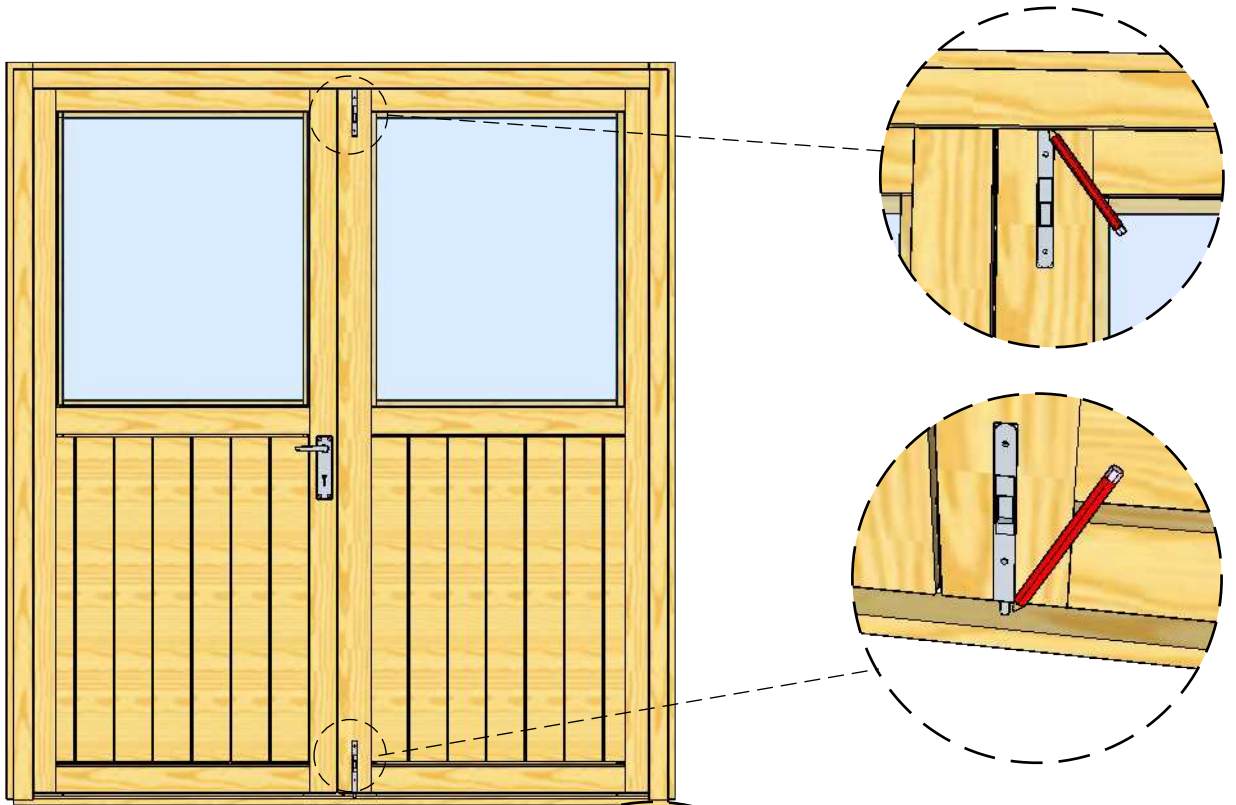
4.



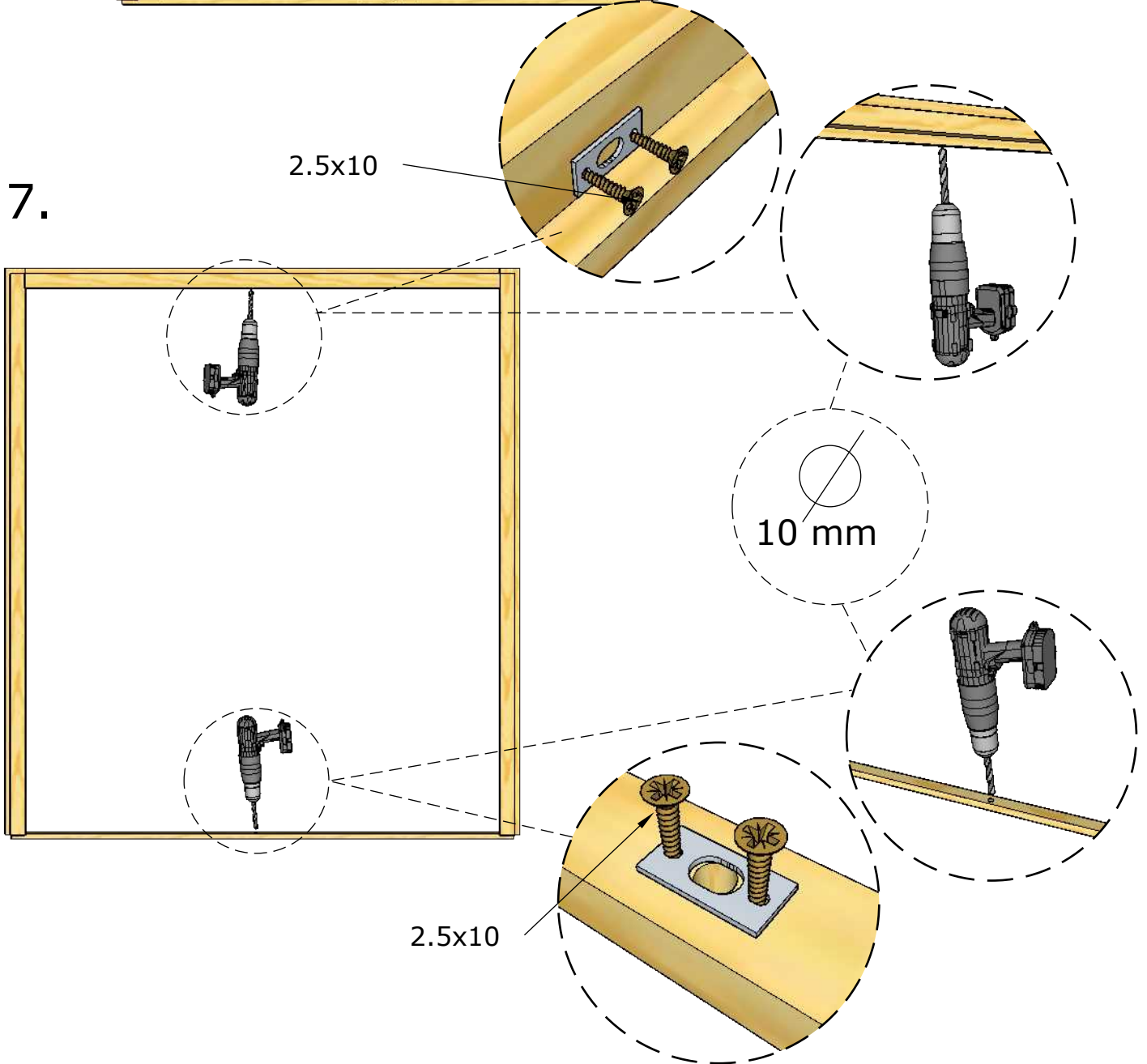
5.



6.



7.

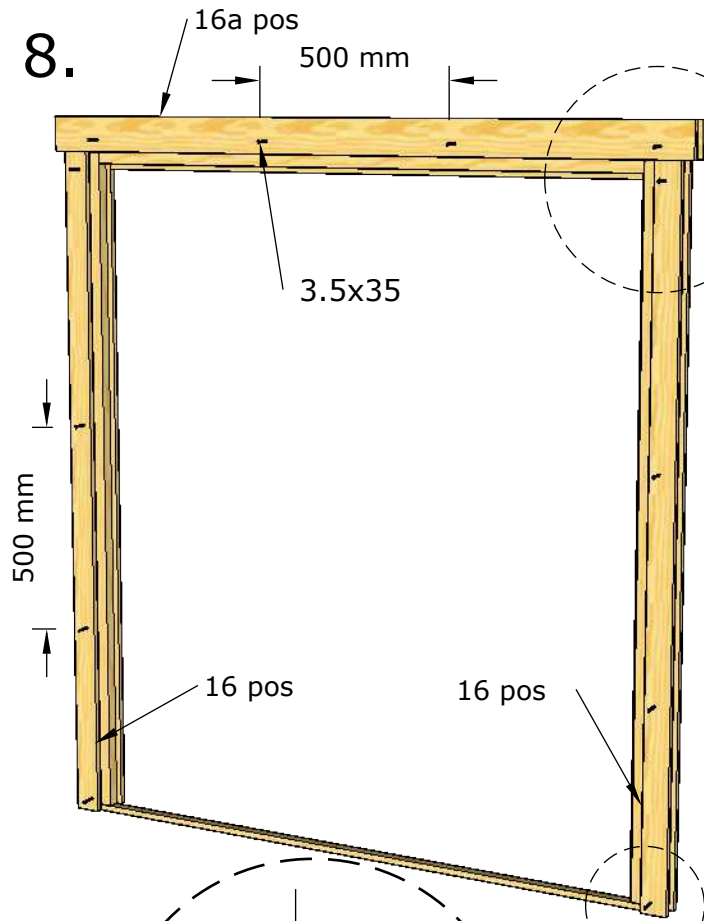


2.5x10

10 mm

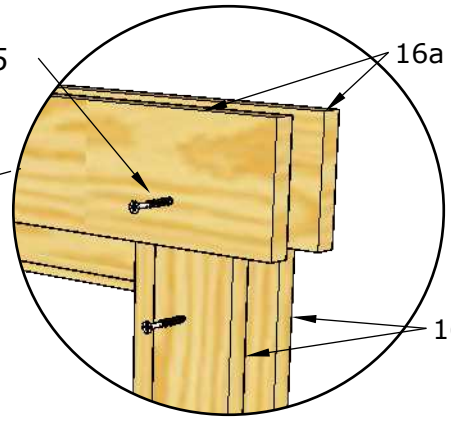
2.5x10

8.

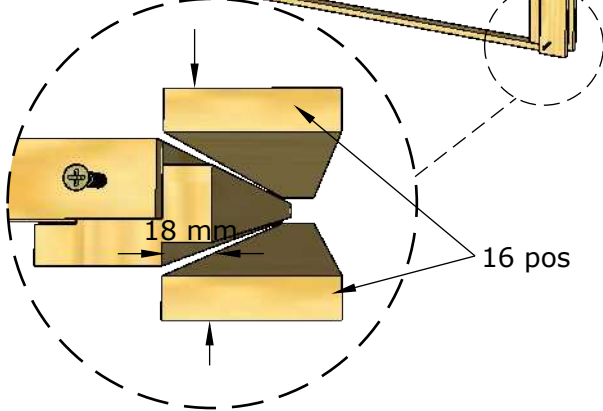


3.5x35

16a pos

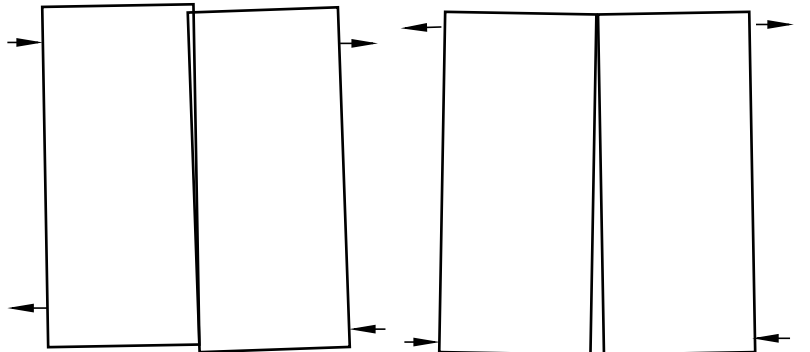
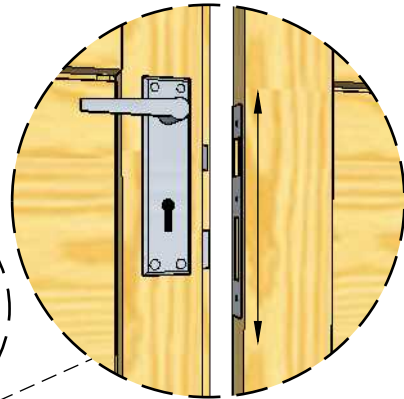
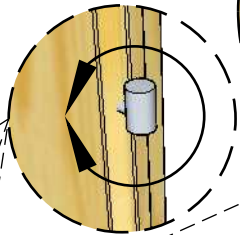
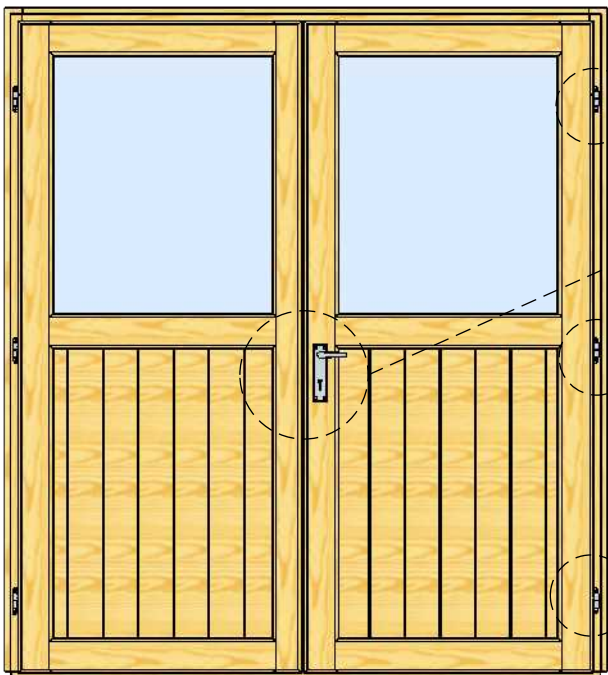


16 pos



16 pos

9.



3x16

