

5380,0 mm

3245,0 mm

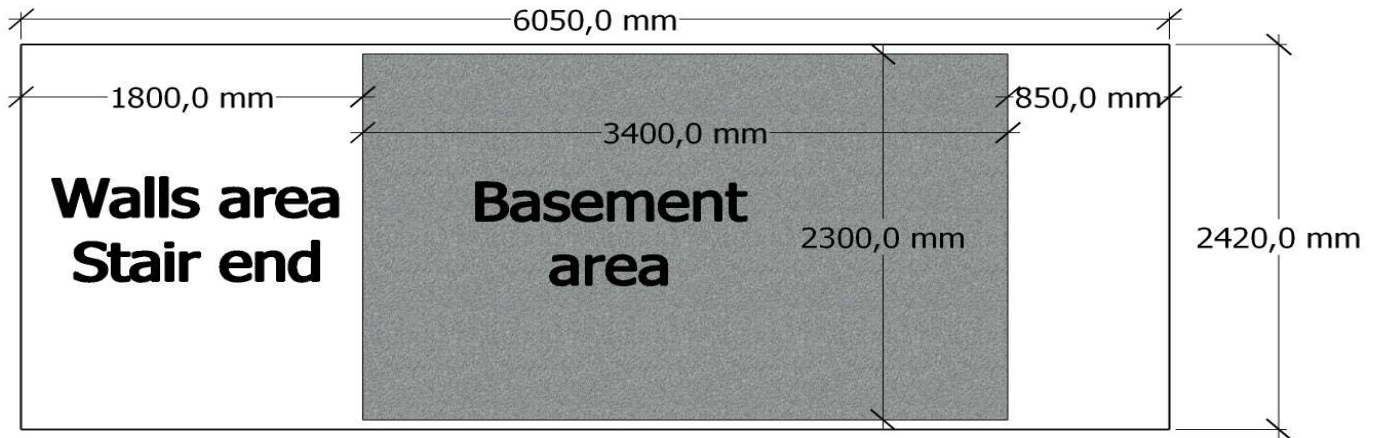
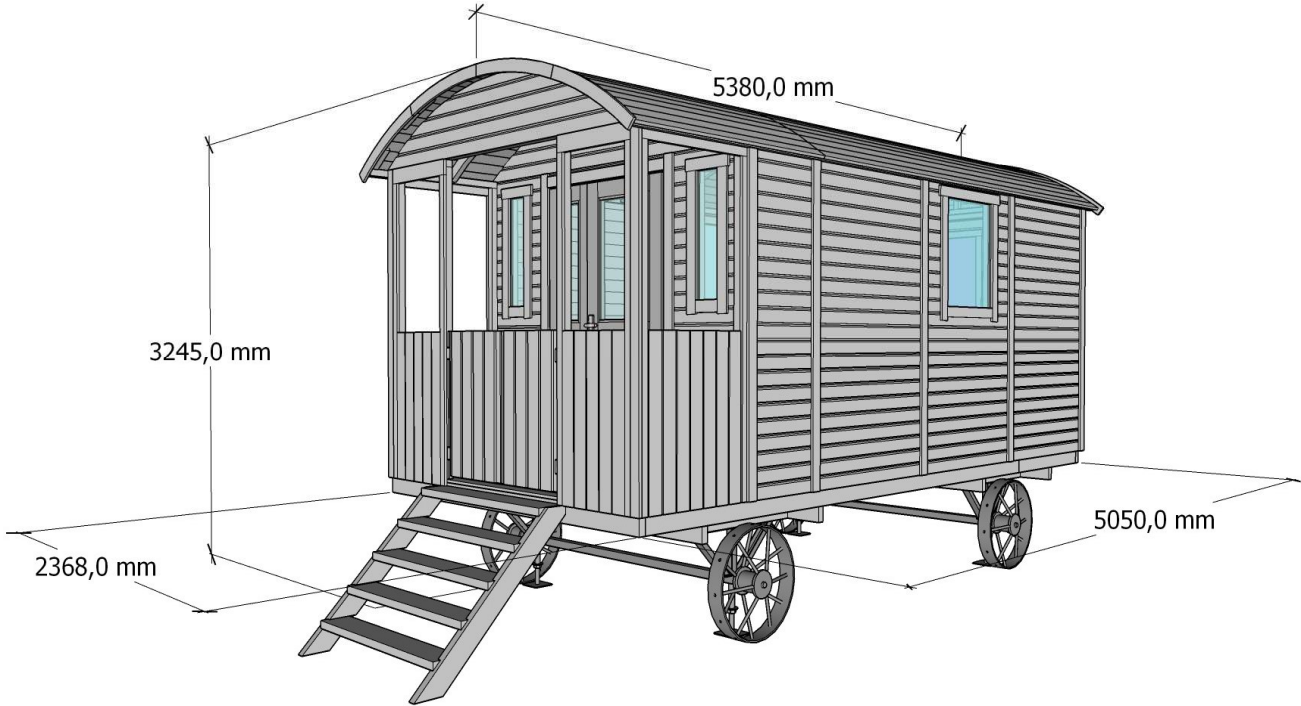
2368,0 mm

5050,0 mm

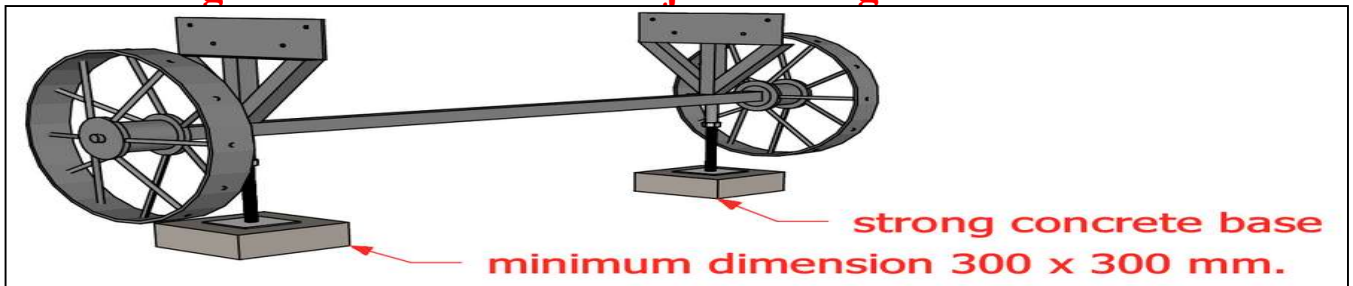
GW Kathy 2,40 x 5,05 m.

Assembly instruction

Page 1/14



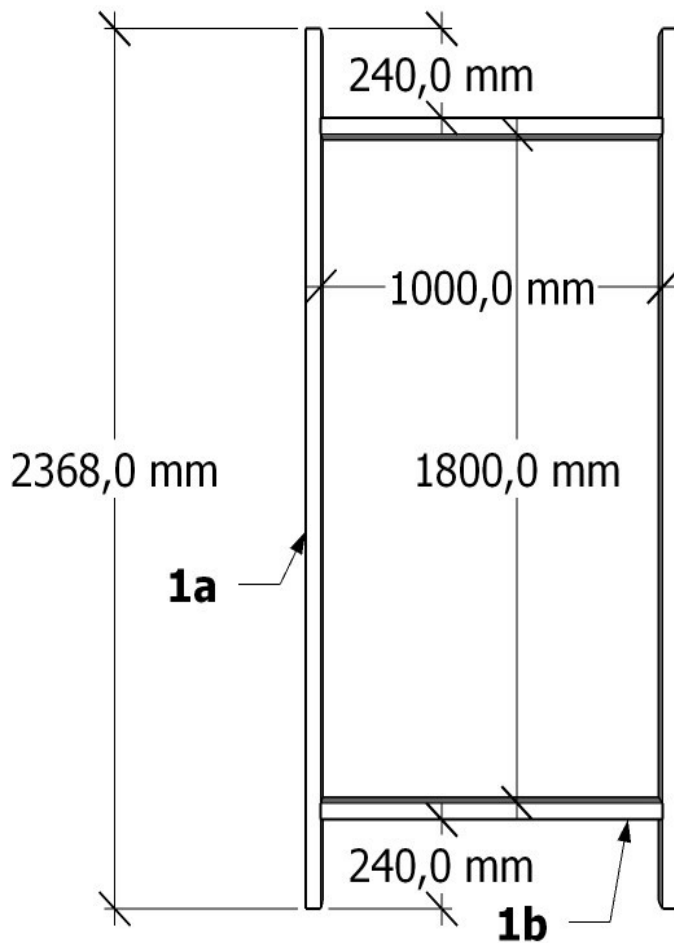
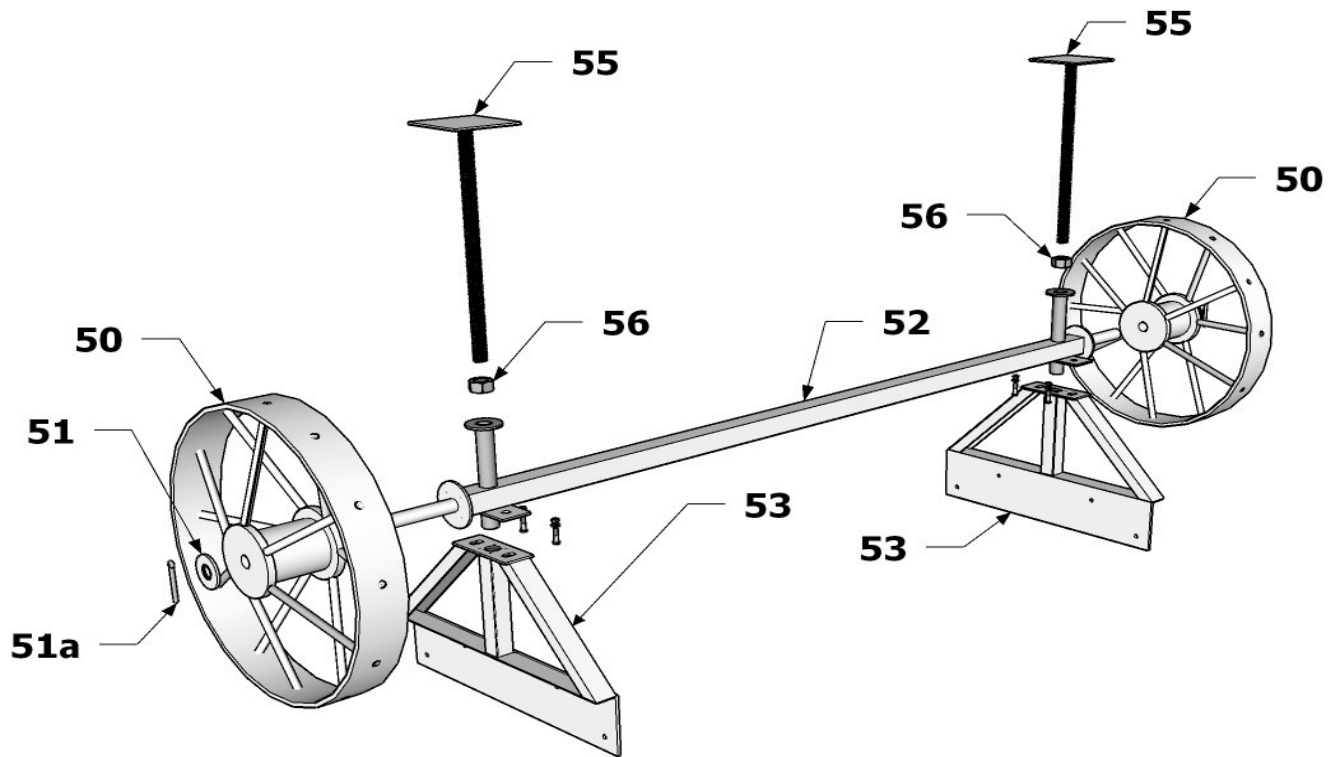
This wagon must be based on adjustable legs and is not moveable



GW Kathy 2,40 x 5,05 m.

Assembly instruction

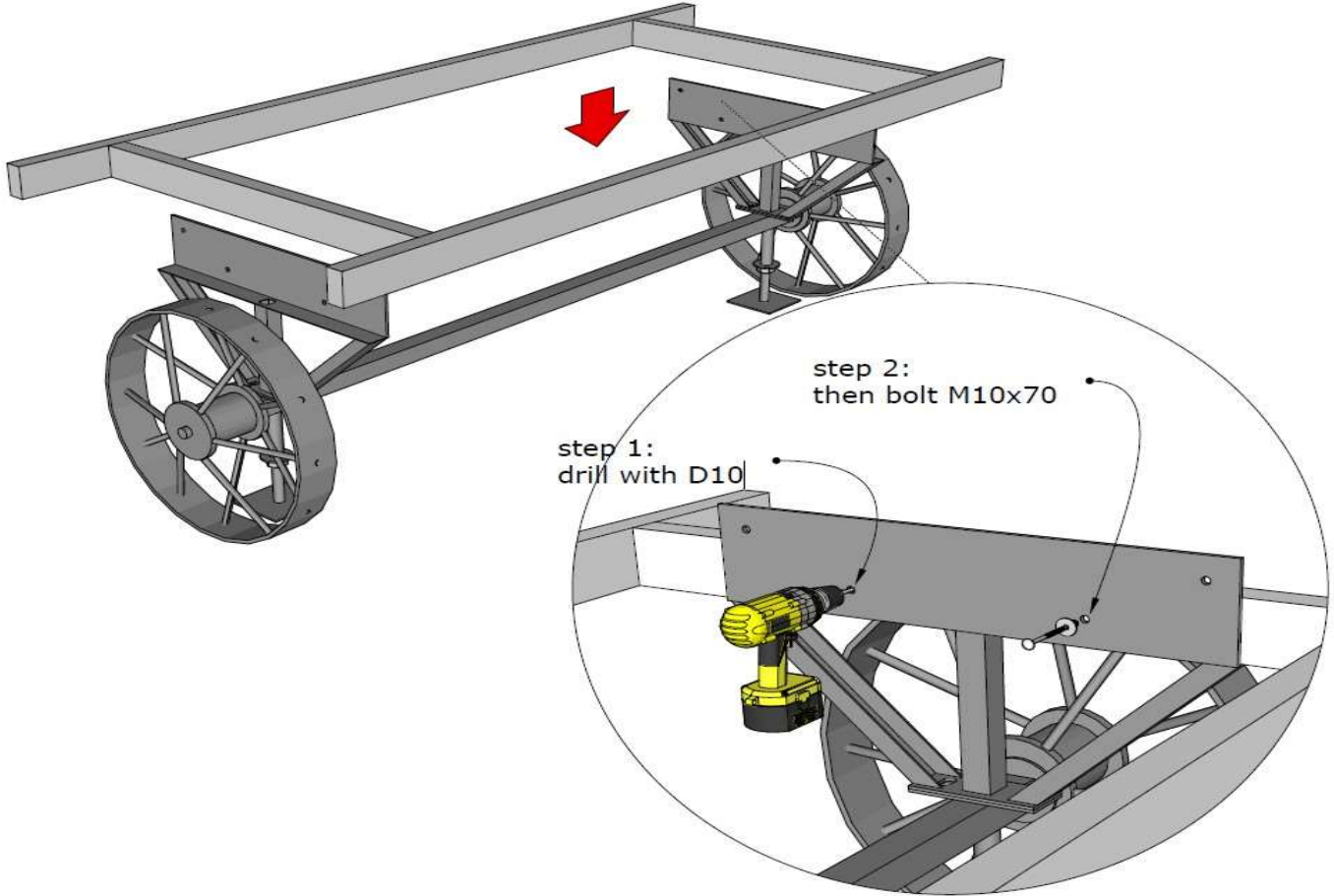
Page 2/14



| | | |
|-----------------|----------|-----------|
| 1a | + | 1b |
| 4,5 x 80 | | 16 |

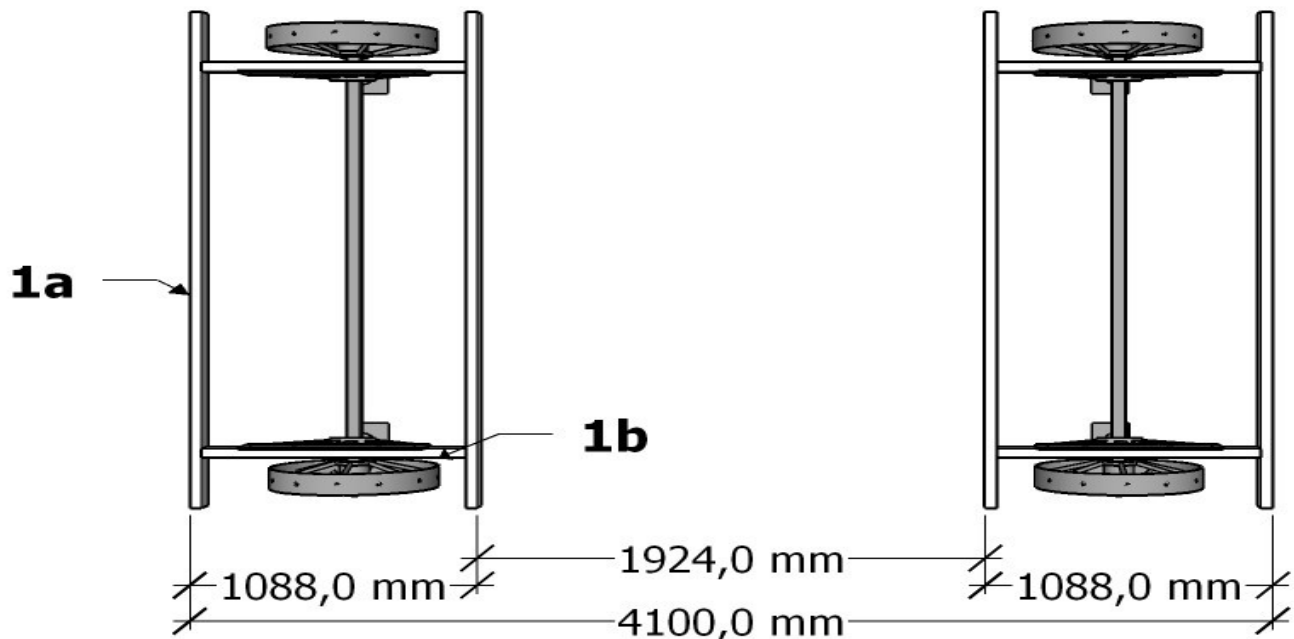
GW Kathy 2,40 x 5,05 m.

Assembly instruction



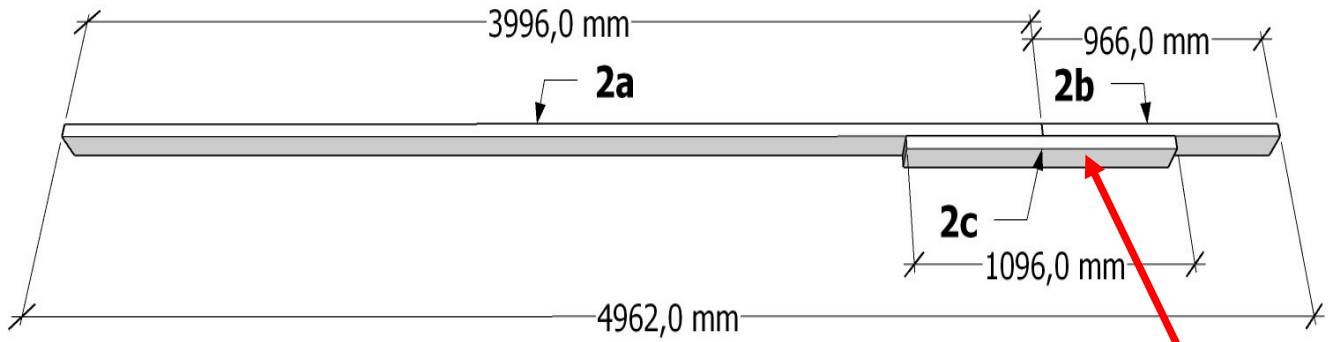
base + **1a + 1b**

| | |
|--------------------|-----------|
| bolt M10x70 | 8 |
| washer M10 | 16 |
| nut M10 | 8 |

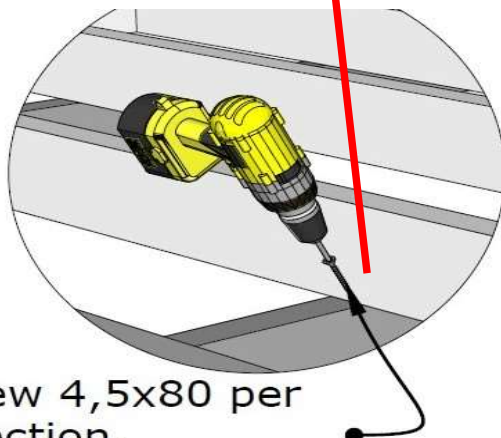
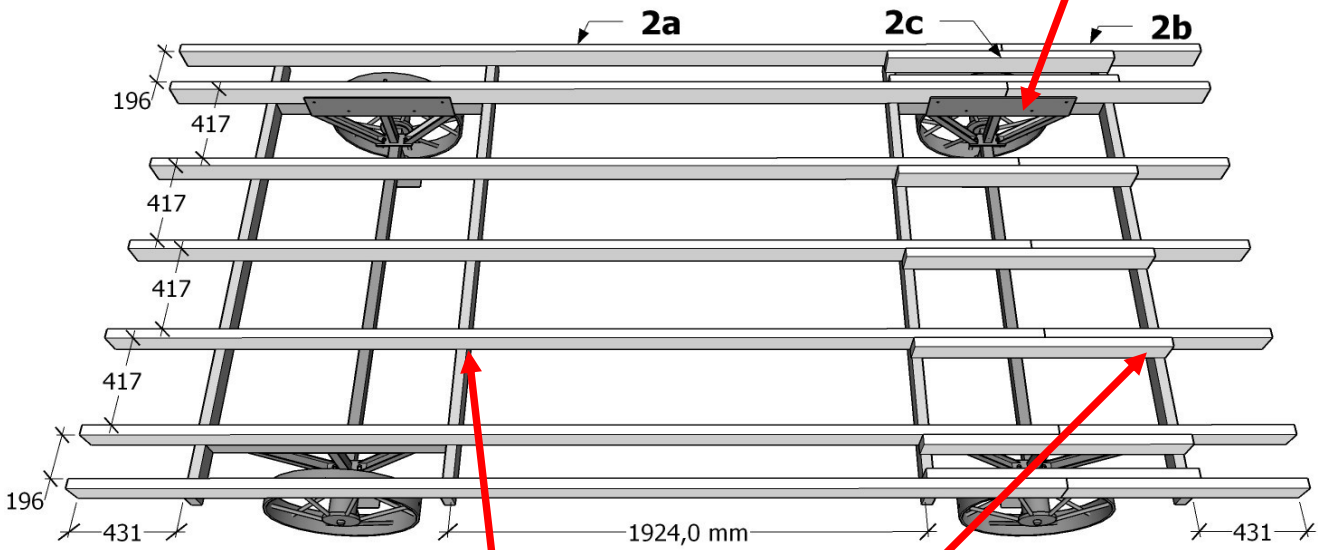
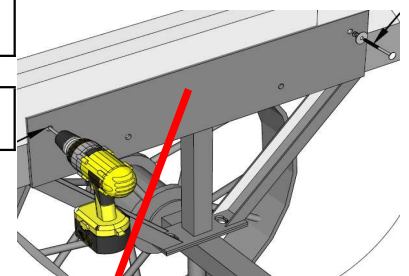


GW Kathy 2,40 x 5,05 m.

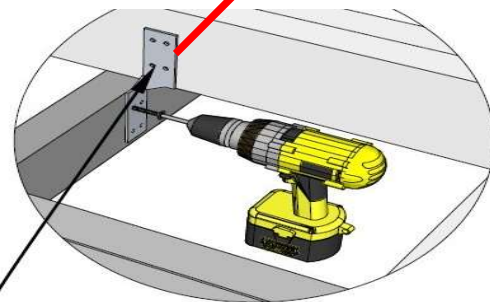
Assembly instruction



| | | | | | | | |
|-------------|---|-----------------|---|-----------------------|-----------------|-----------|------------------------------------|
| 2a | + | 2b | + | 2c | 4,5 x 80 | 84 | 12 screws 4,5x80 per connection |
| Base | + | 2a/2b/2c | | Bolt M10 x 110 | | 4 | |
| Base | + | 2a | | Bolt M10 x 70 | | 4 | |



1 screw 4,5x80 per connection,
totally 14 pcs.

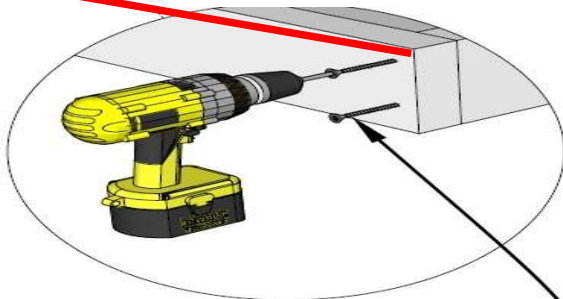
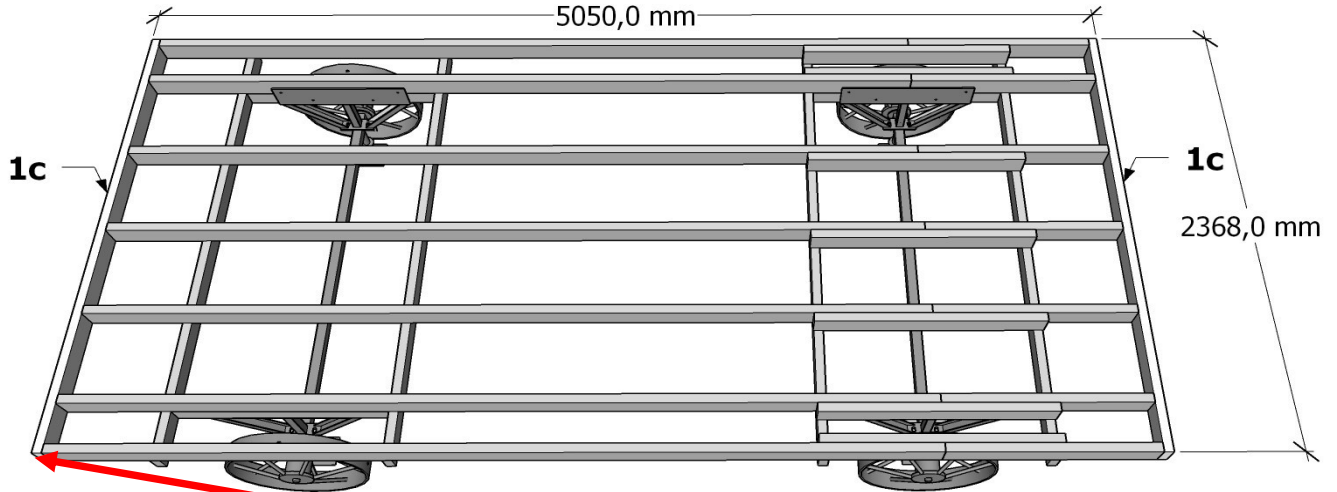


1 support plate 170x35x2
per connection,
totally 14 pcs.
+
16 screws 3,5x40 per plate,
totally 112 pcs.

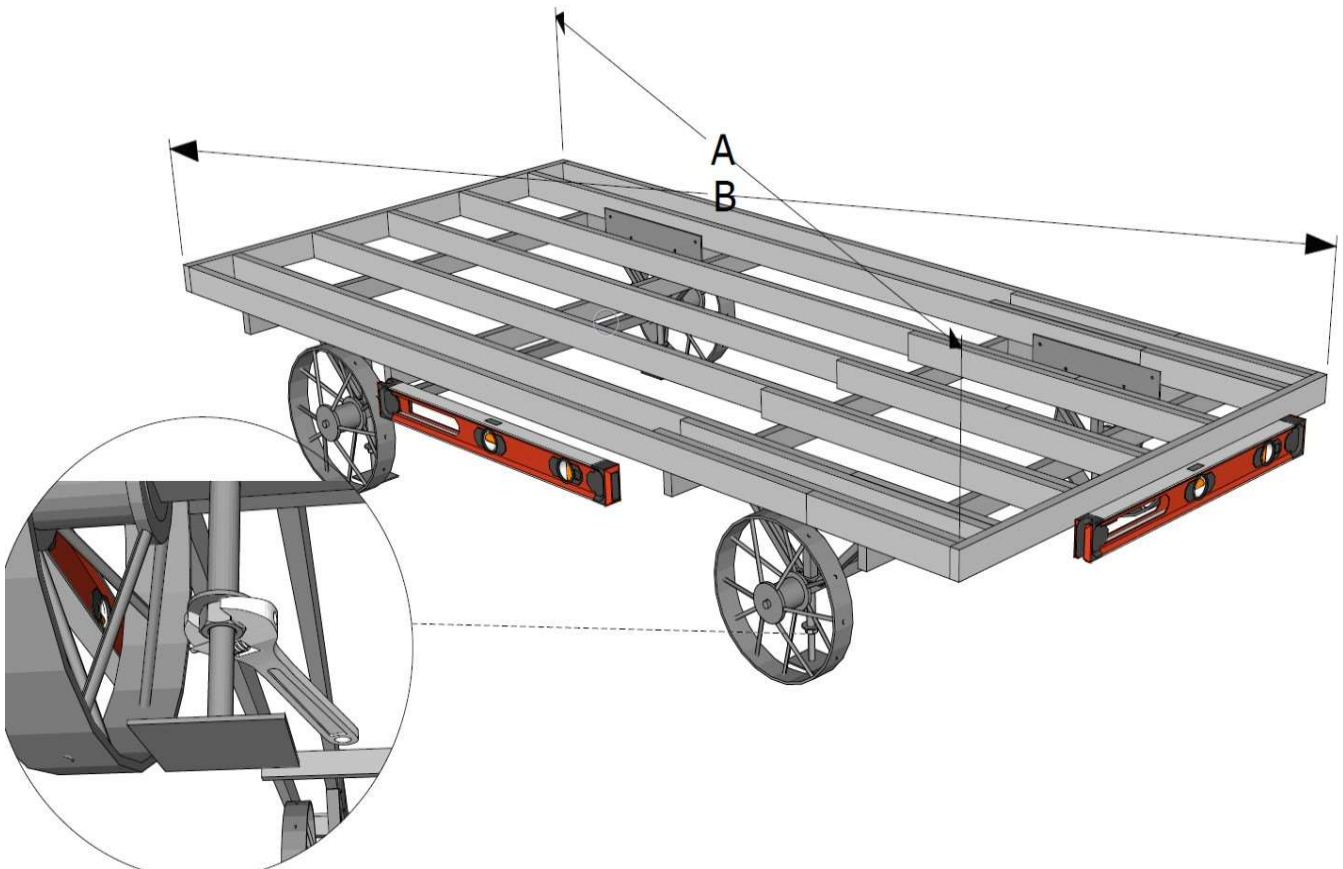
GW Kathy 2,40 x 5,05 m.

Assembly instruction

Page 5/14



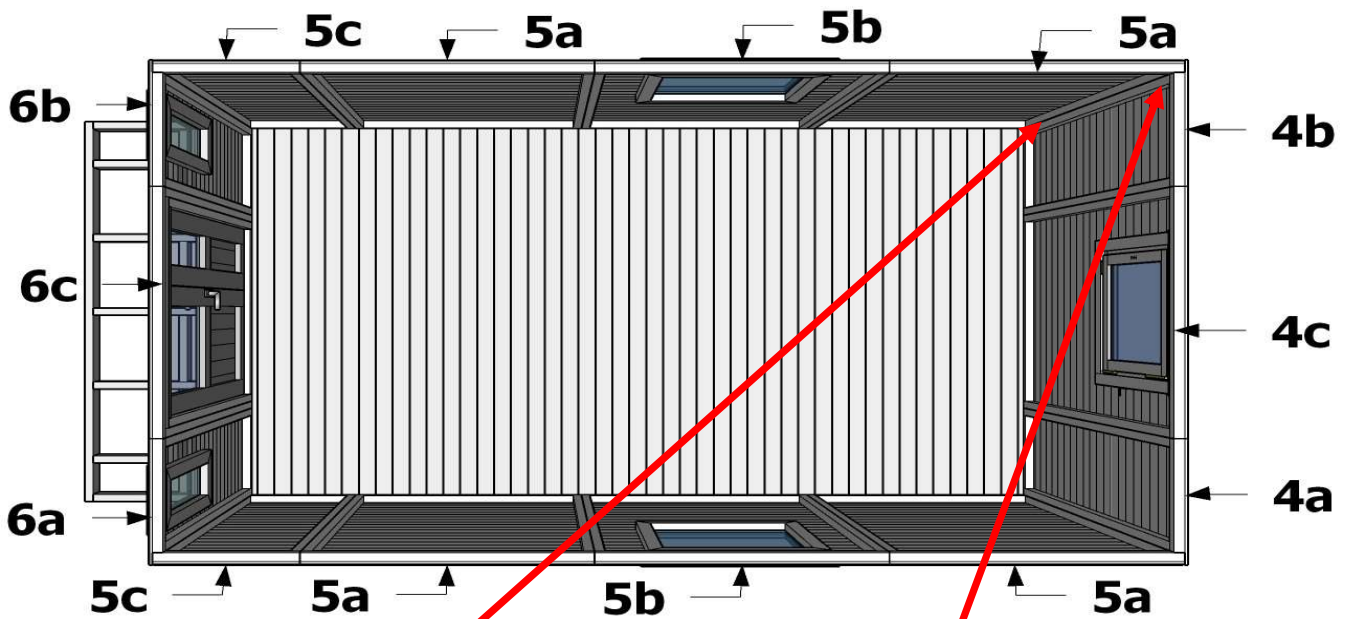
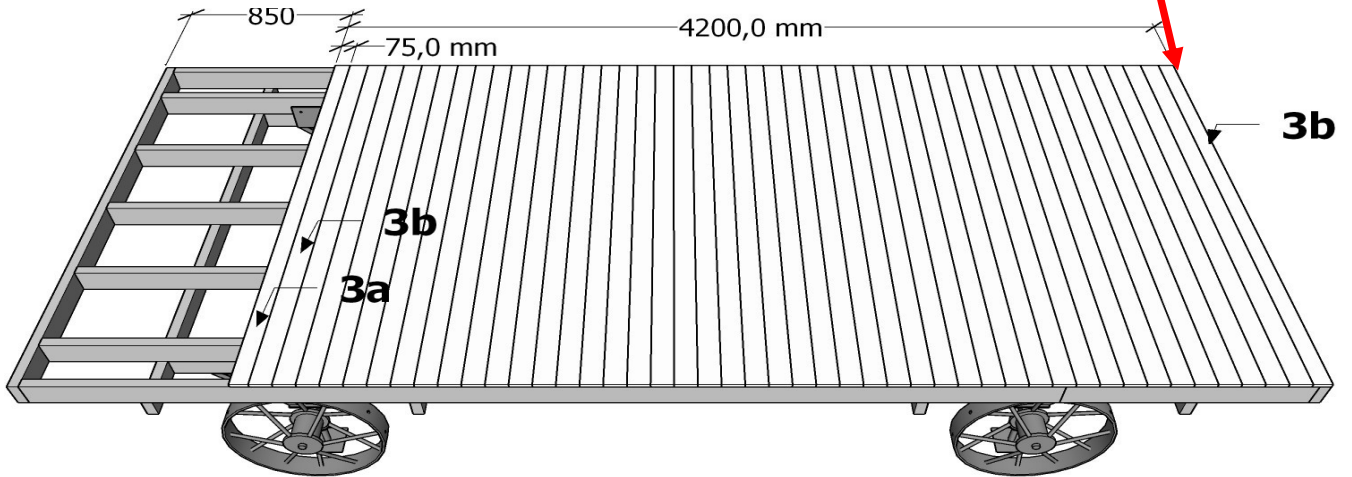
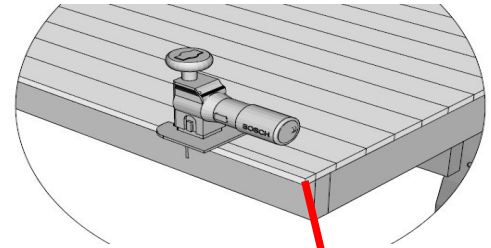
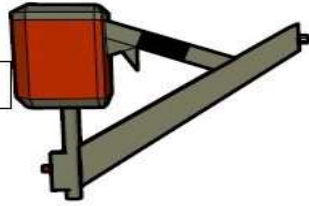
2 screws 4,5x80 per connection, totally 28 pcs.



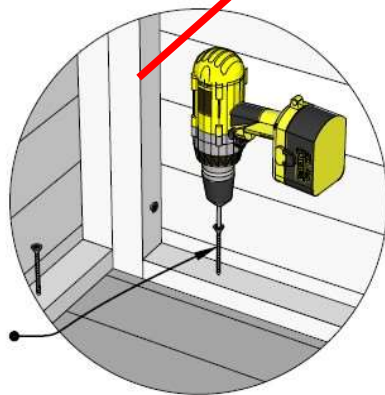
GW Kathy 2,40 x 5,05 m.

Assembly instruction

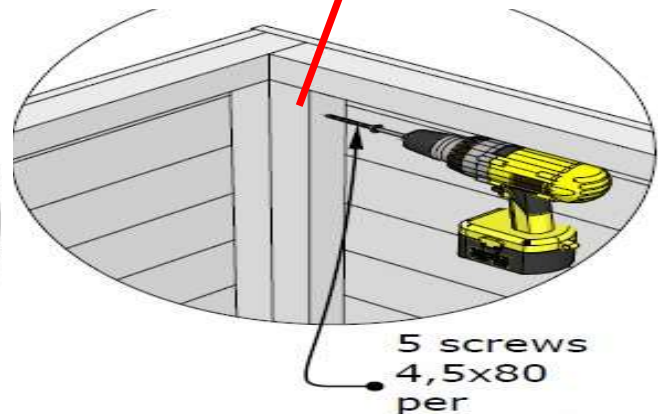
use a nail gun



2 screws 4x60
per wall
element

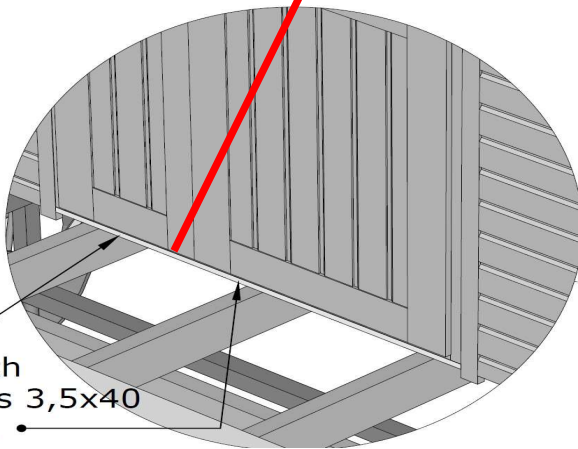
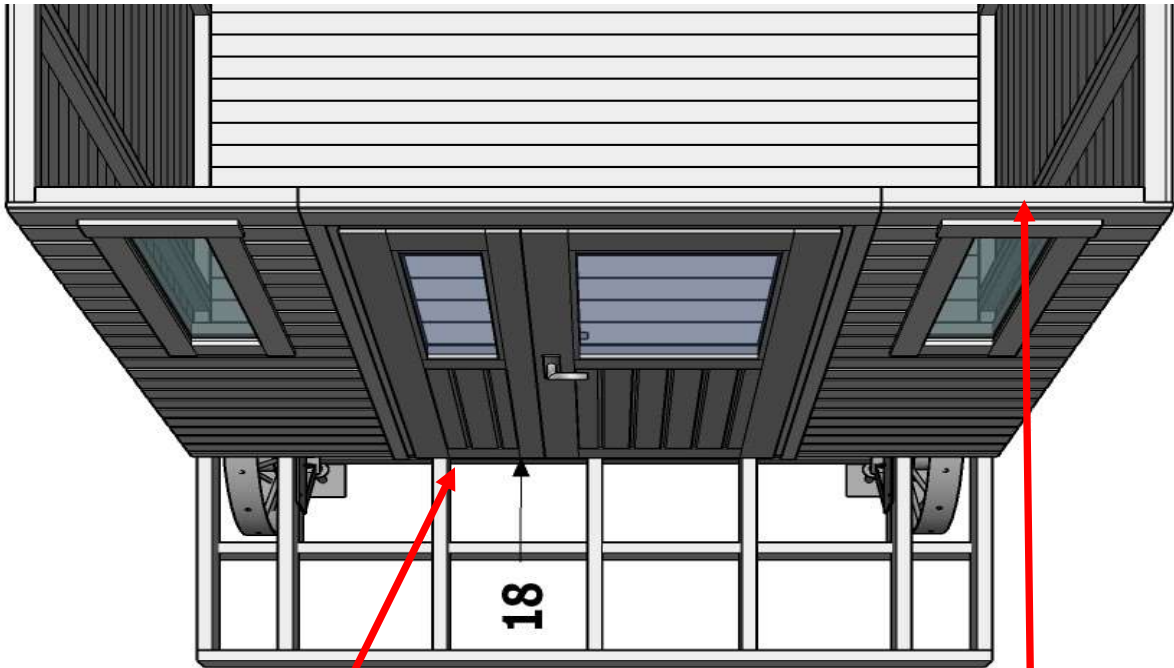


5 screws
4,5x80
per
connection

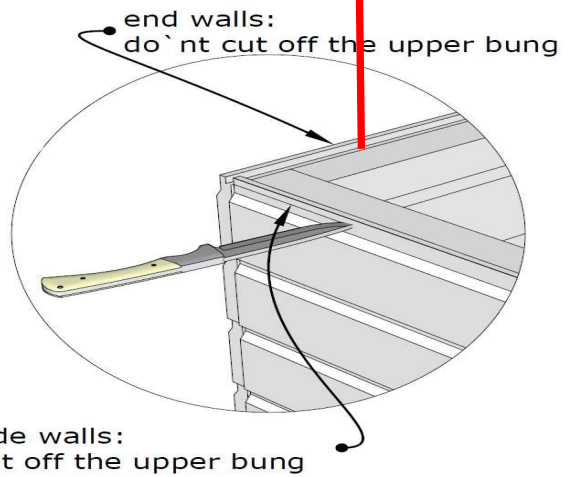


GW Kathy 2,40 x 5,05 m.

Assembly instruction



18
fix with
screws 3,5x40
3 pcs.

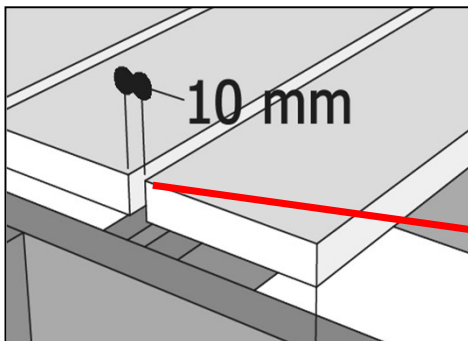


end walls:
do not cut off the upper bung

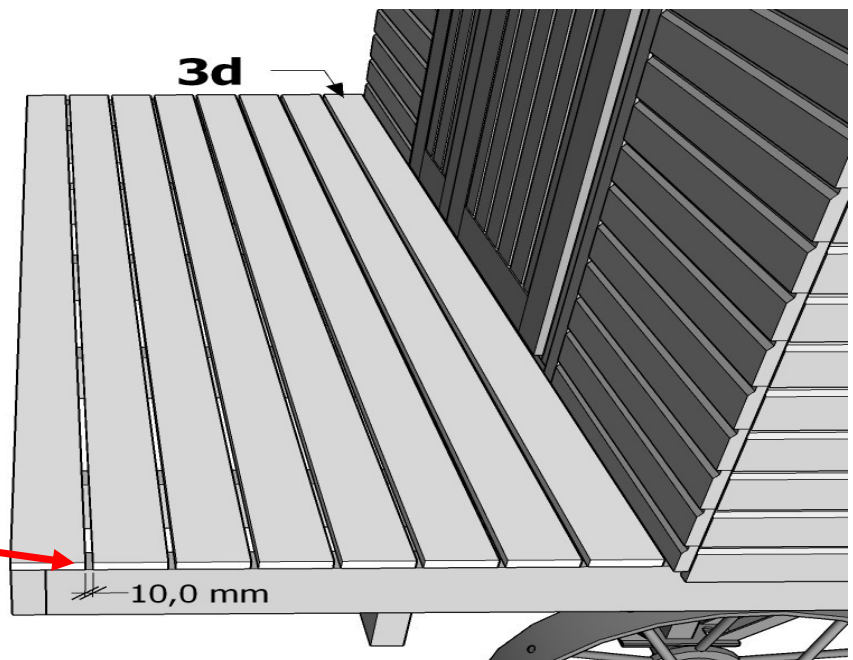
side walls:
cut off the upper bung



use a nail gun



10 mm

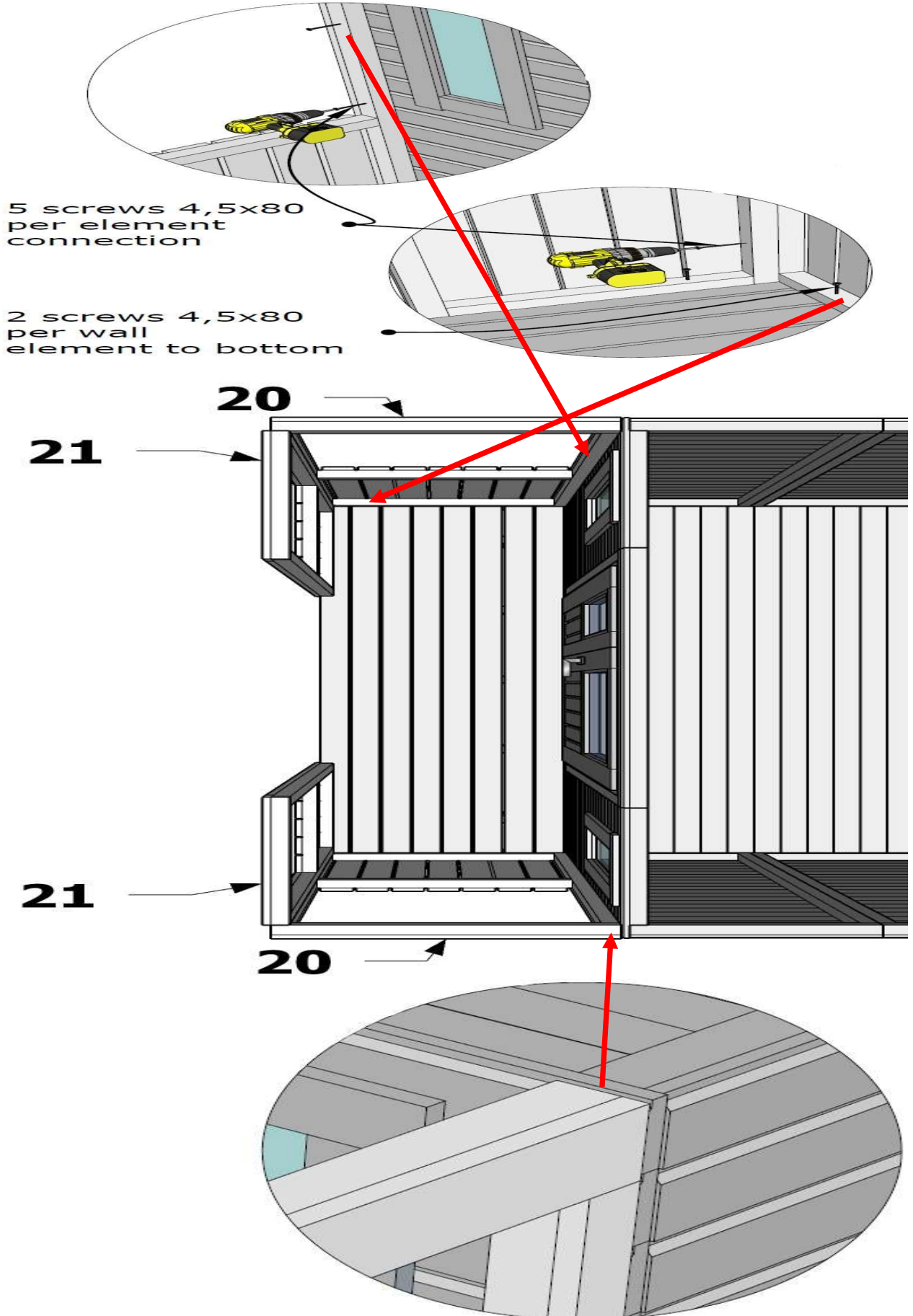


3d

10,0 mm

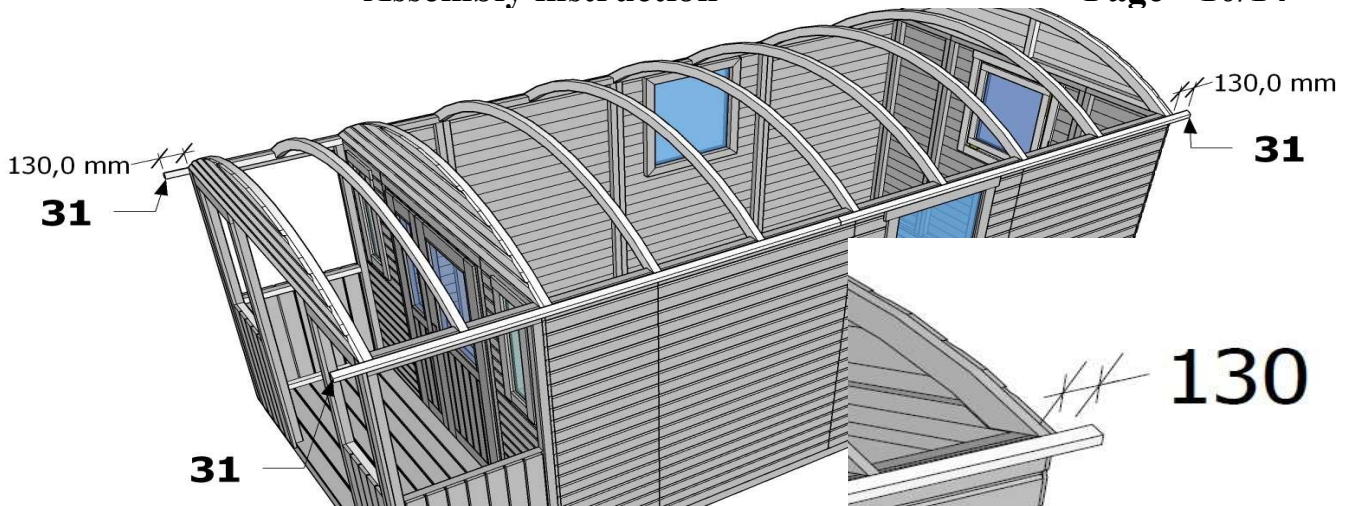
GW Kathy 2,40 x 5,05 m.

Assembly instruction

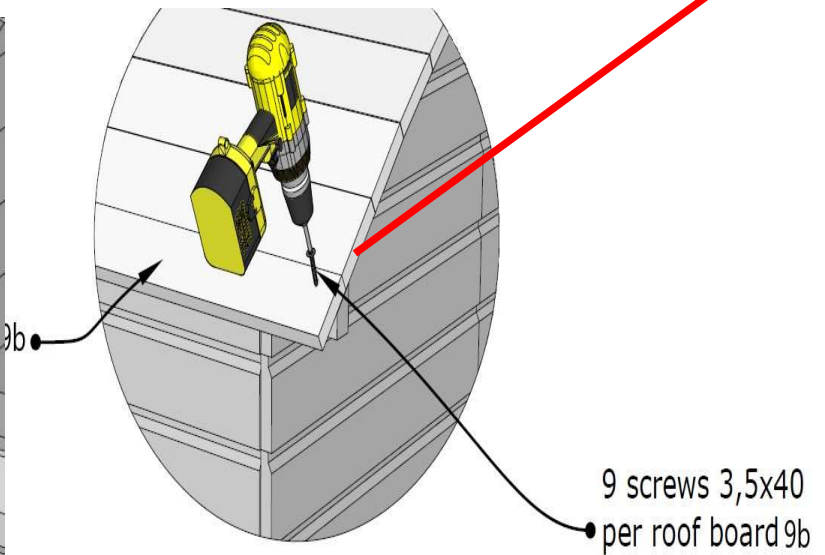
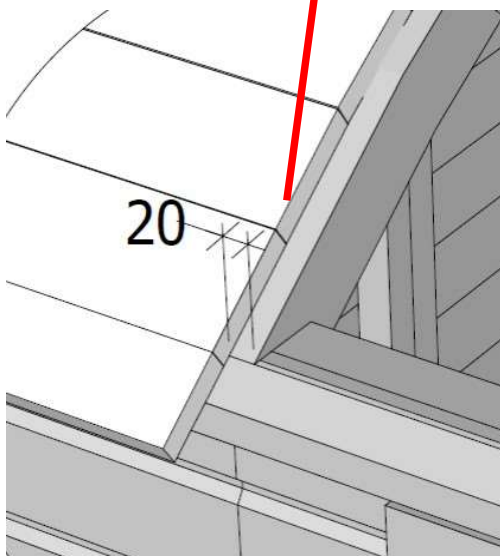
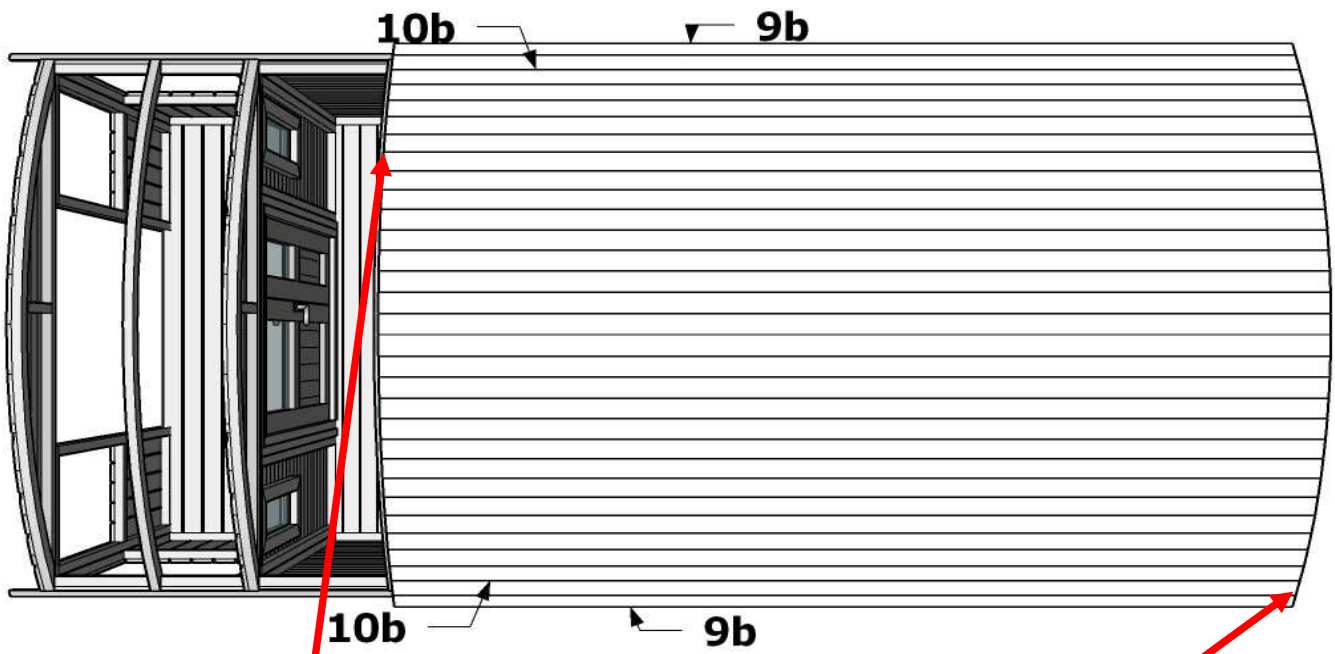


GW Kathy 2,40 x 5,05 m.

Assembly instruction



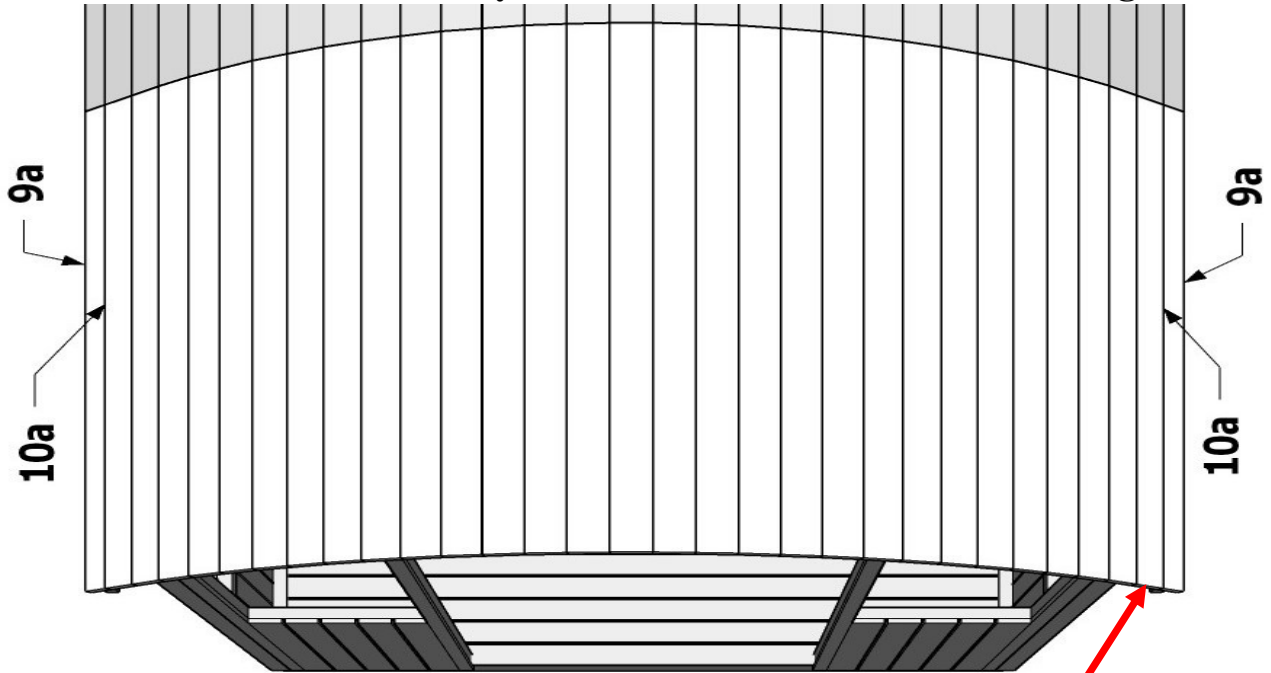
| | | | | |
|----|---|-------|----------|----|
| 31 | + | walls | 4,5 x 80 | 22 |
|----|---|-------|----------|----|



GW Kathy 2,40 x 5,05 m.

Assembly instruction

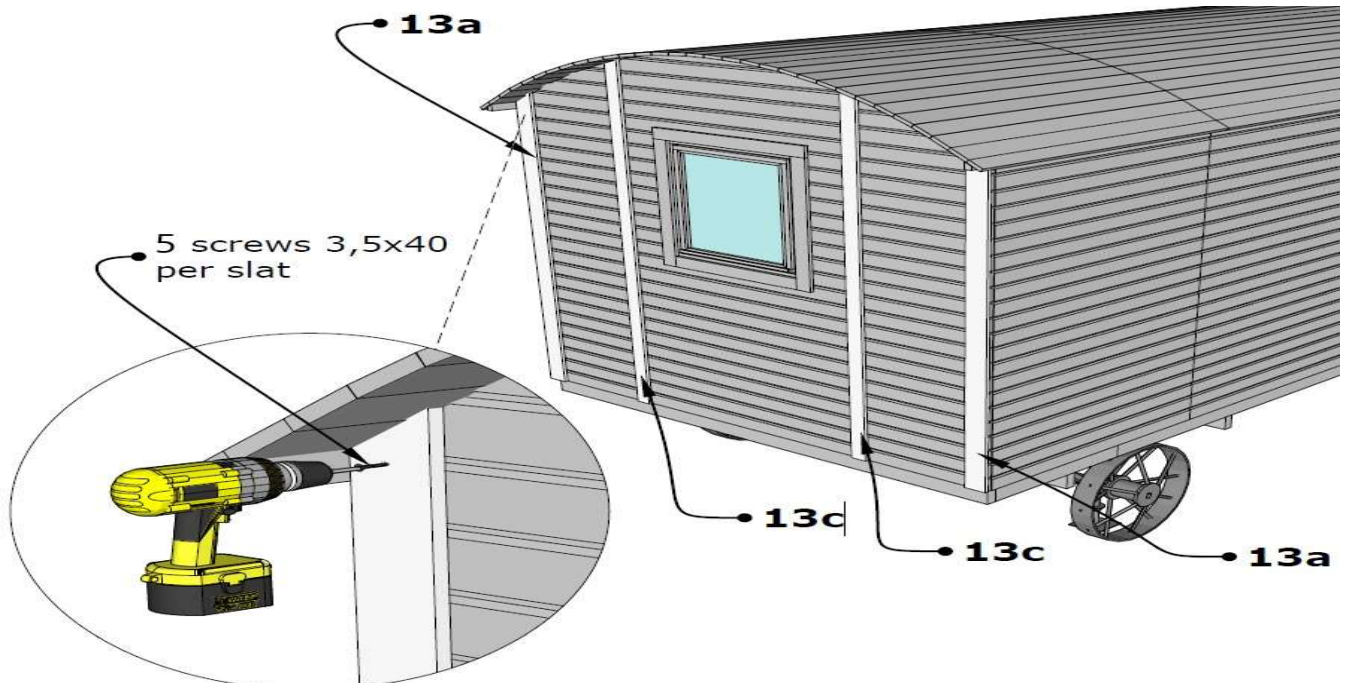
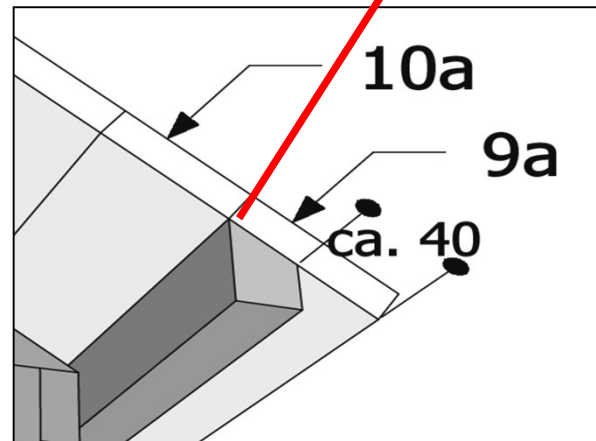
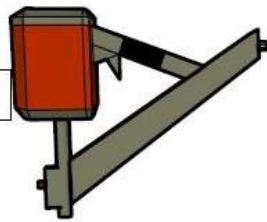
Page 11/14



| | | | | |
|----|---|----|--------|---|
| 9a | + | 31 | 3,5x40 | 8 |
|----|---|----|--------|---|

| | | |
|---------|---|-----|
| 10a/10b | + | 7/8 |
|---------|---|-----|

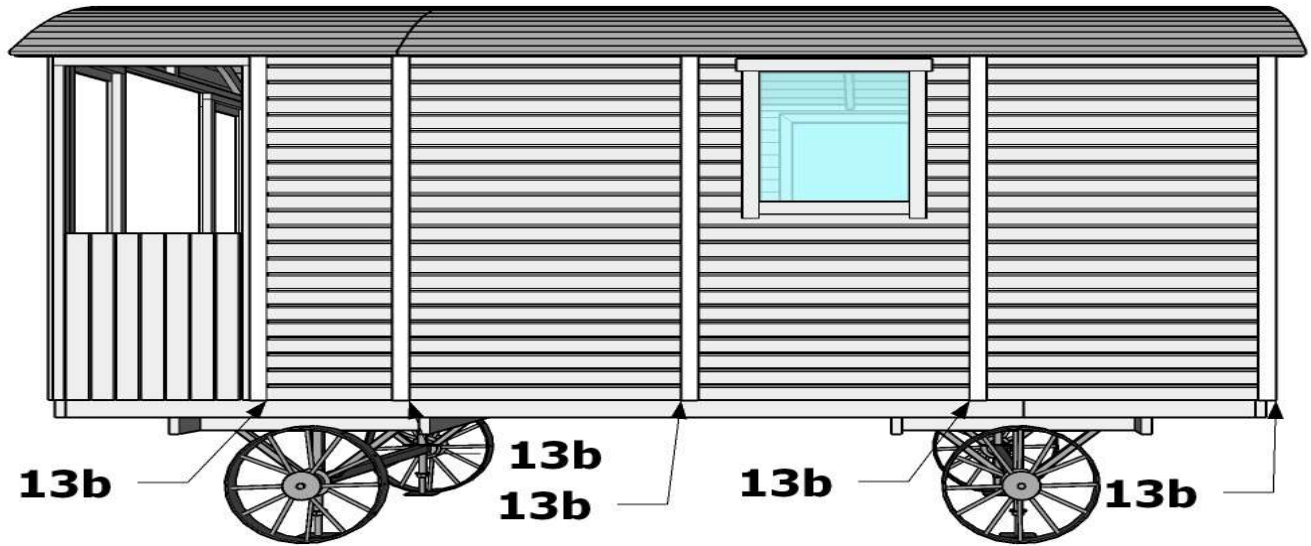
use a nail gun



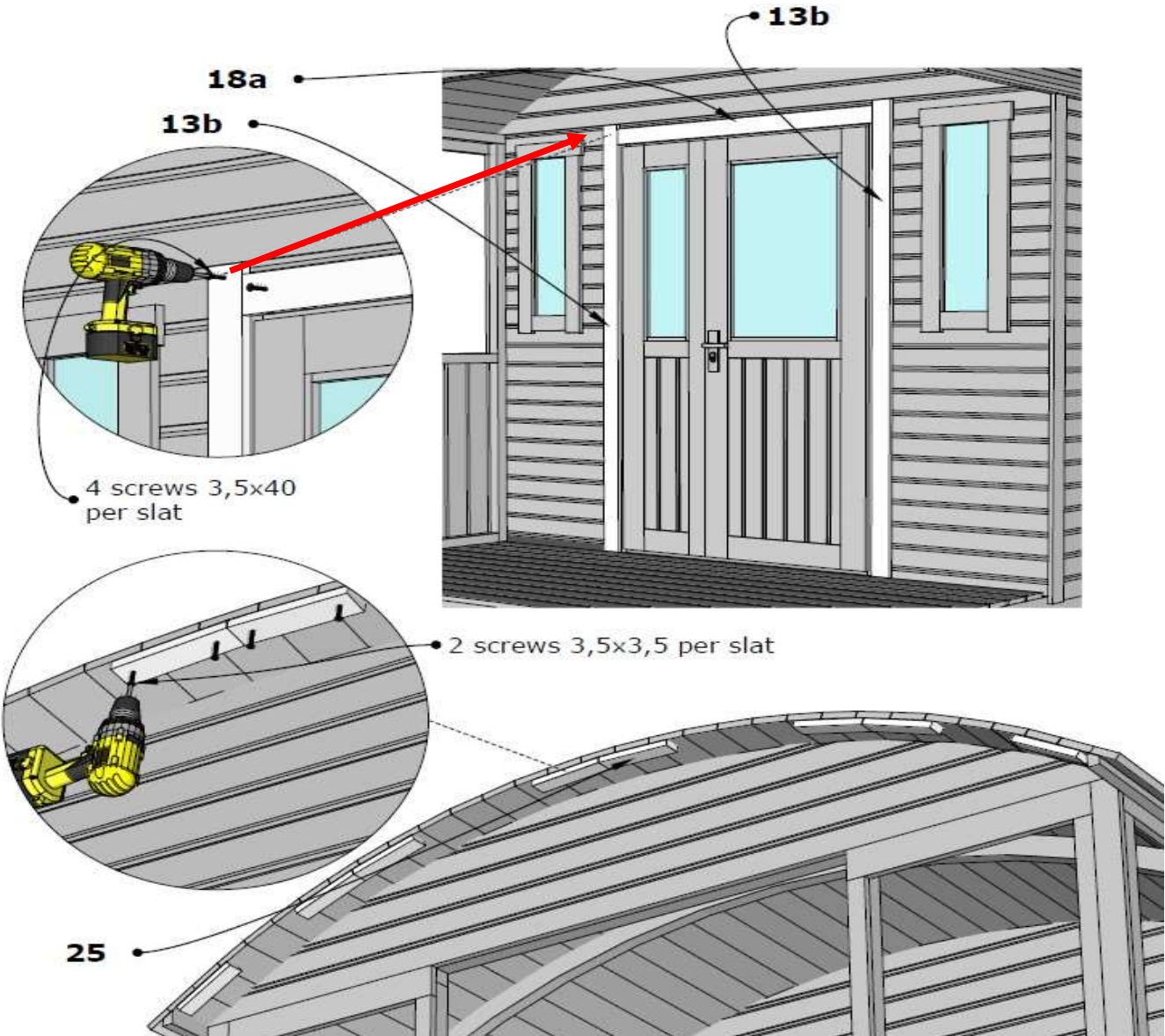
GW Kathy 2,40 x 5,05 m.

Assembly instruction

Page 12/14

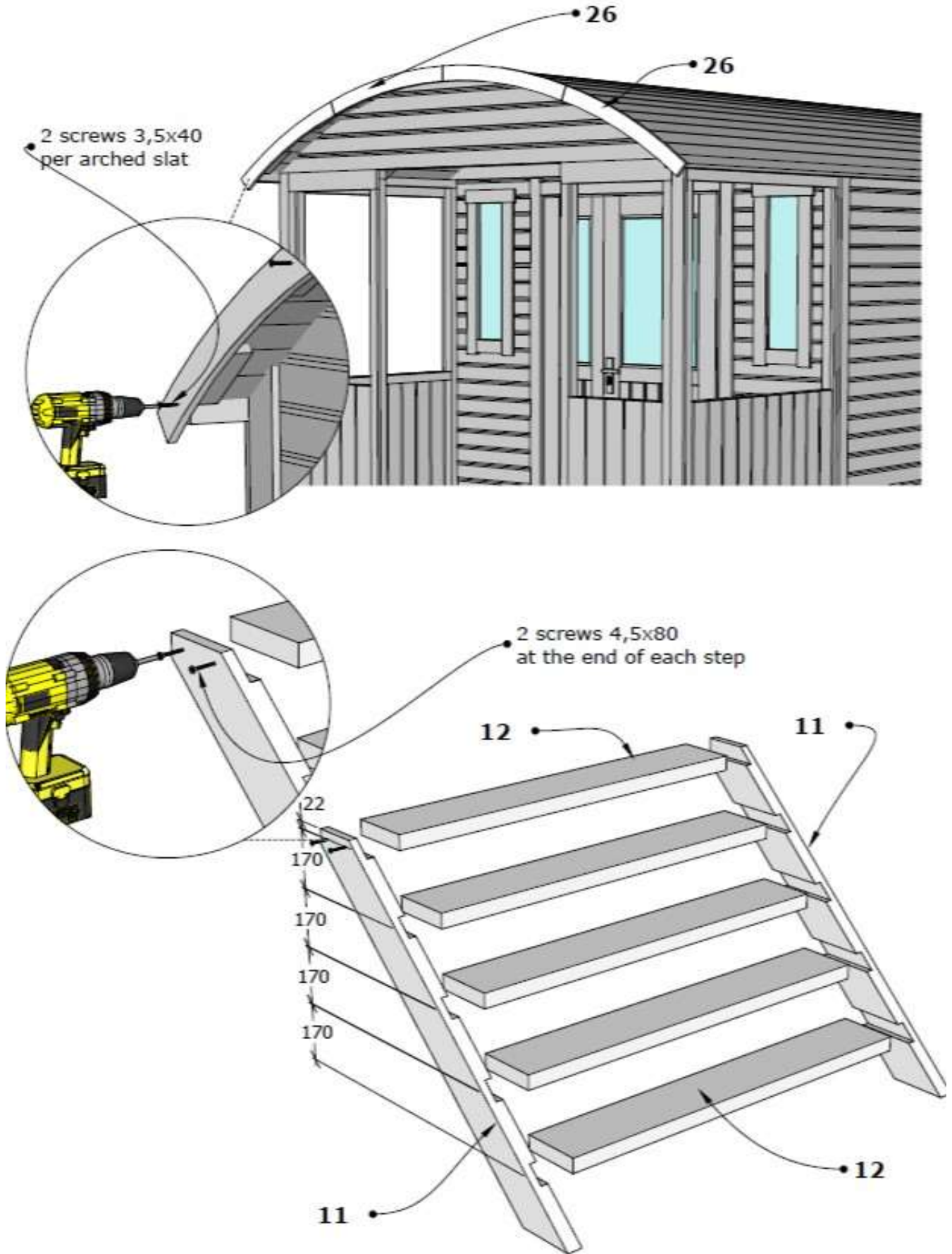


| | | | | |
|-----|---|-------|----------|----|
| 13b | + | walls | 3,5 x 40 | 50 |
|-----|---|-------|----------|----|



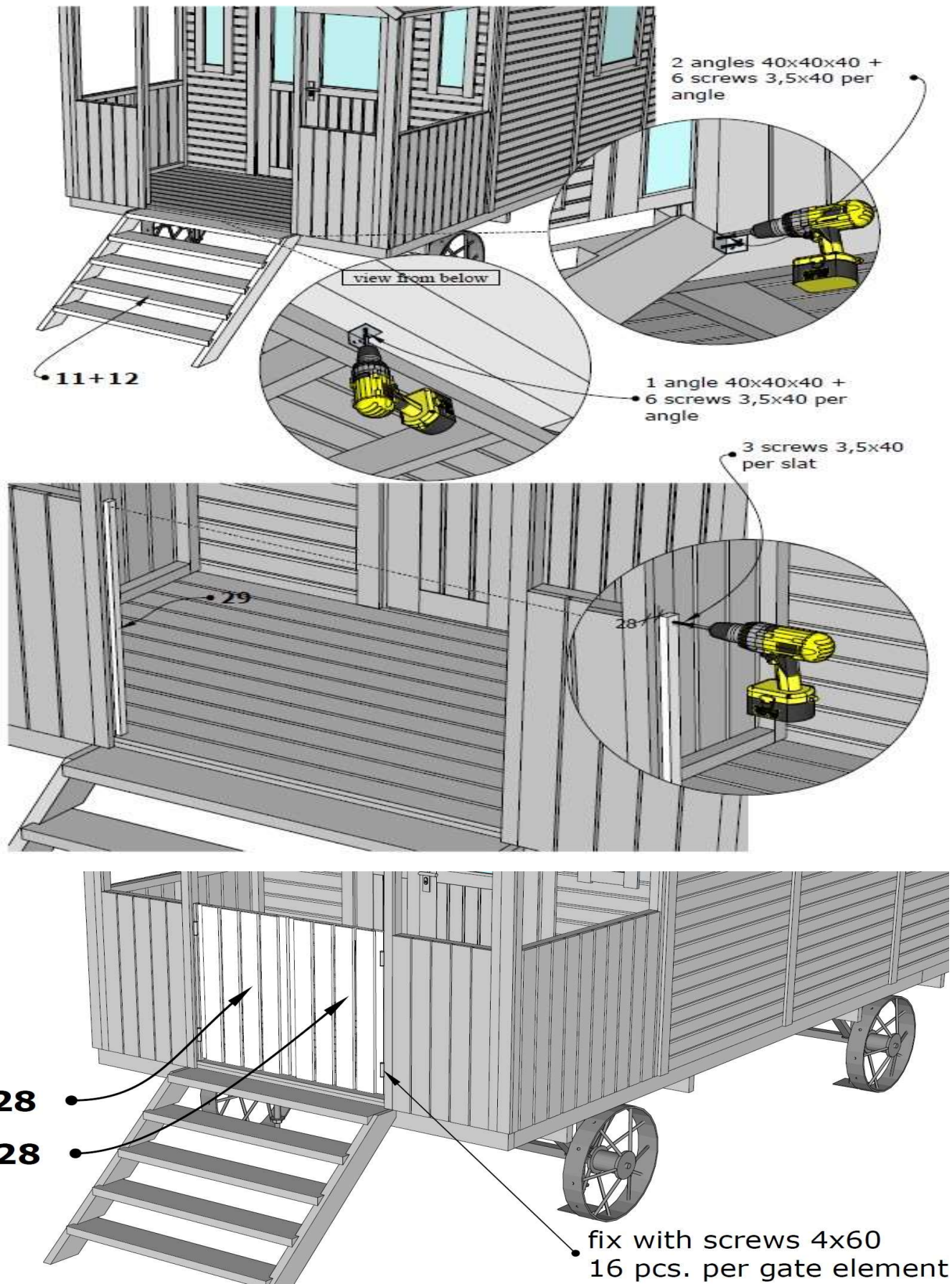
GW Kathy 2,40 x 5,05 m.

Assembly instruction



GW Kathy 2,40 x 5,05 m.

Assembly instruction



PRODUCT:
WIN-code:
Article:

| | | Packing list | | Page |
|-------------|-----------------------------------|---------------------|-----------------|-------------|
| | | GW Kathy 2 | | 1/2 |
| | | Kontroll | | |
| | | 40.0170 | | |
| element nr. | element's name | quantity | dimension (mm.) | specify |
| 1a | bottom beam | 4 | 44 x 94 x 2368 | |
| 1b | bottom beam | 4 | 44 x 94 x 1000 | |
| 1c | bottom beam | 2 | 44 x 120 x 2368 | |
| 2a | bottom beam | 7 | 44 x 120 x 3996 | |
| 2b | bottom beam | 7 | 44 x 120 x 966 | |
| 2c | bottom beam | 7 | 44 x 120 x 1096 | |
| 3a | floorboard | 1 | 19 x 75 x 2368 | first |
| 3b | floorboard | 46 | 19 x 90 x 2368 | |
| 3d | floorboard veranda | 8 | 19 x 94 x 2368 | |
| 4a | end wall, right | 1 | 600 x 1980 | |
| 4b | end wall, left | 1 | 600 x 1980 | |
| 4c | wall with open window | 1 | 1200 x 1980 | |
| 5a | wall | 4 | 1200 x 1980 | |
| 5b | wall with non-open window | 2 | 1200 x 1980 | |
| 5c | wall | 2 | 600 x 1980 | |
| 6a | front wall, right with n.o.window | 1 | 600 x 1958 | |
| 6b | front wall, left with n.o.window | 1 | 600 x 1958 | |
| 6c | front wall with installed door | 1 | 1200 x 1980 | |
| 7 | inner arch support | 7 | 455 x 2406 | |
| 8 | outer arch support, covered | 3 | 2406 x 416 | with panel |
| 9a | roof board | 1+1 | 19 x 70 x 1599 | first/last |
| 9b | roof board | 1+1 | 19 x 70 x 3749 | first/last |
| 10a | roof board | 29 | 19 x 90 x 1599 | |
| 10b | roof board | 29 | 19 x 90 x 3749 | |
| 11 | stairs side | 1+1 | 44 x 120 x 1205 | 45° // |
| 12 | stairs tread | 5 | 44 x 170 x 1152 | |
| 13a | end wall edge cover slat | 2 | 16 x 94 x 2050 | end 37° |
| 13b | side edges cover slat | 12 | 16 x 70 x 1936 | |
| 13c | end wall middle cover slat | 2 | 16 x 70 x 2314 | end 20° |
| 13d | verandas wall cover slat | 2 | 19 x 63 x 1980 | |
| 18 | slat under the doorway | 1 | 19 x 19 x 1112 | |
| 18a | doorway's upper slat | 1 | 16 x 70 x 1106 | |
| 20 | porch element 831 | 2 | 831 x 1980 | |
| 21 | porch element 590 | 2 | 590 x 1980 | |
| 25 | roof edge arc fixing brick | 16 | 19 x 40 x 180 | |
| 26 | roof edge arc | 8 | L = 710 mm. | arc-element |
| 28 | porch gate element | 2 | 516 x 880 | |
| 29 | porch gate slat | 2 | 16 x 25 x 900 | |
| 31 | the upper feather key | 4 | 28 x 44 x 2674 | edge 37° |

fasteners set, assembly instruction

Metal parts:

2/2

| | | |
|------------|-----------------------------|----|
| 50 | wagon wheel | 4 |
| 51 | wagon wheels washer | 4 |
| 51a | wheel`s splint | 4 |
| 52 | wagon axle | 2 |
| 53 | basemment support | 4 |
| 54 | bolts and nuts for basement | 4 |
| 55 | adjustable support leg | 4 |
| 56 | adjustable leg`s nut M27 | 4 |
| 57 | bolt M10, L = 70 mm. | 12 |
| 58 | bolt M10, L = 110 mm. | 4 |
| 59 | nut M10 | 16 |
| 60 | washer M10 | 32 |